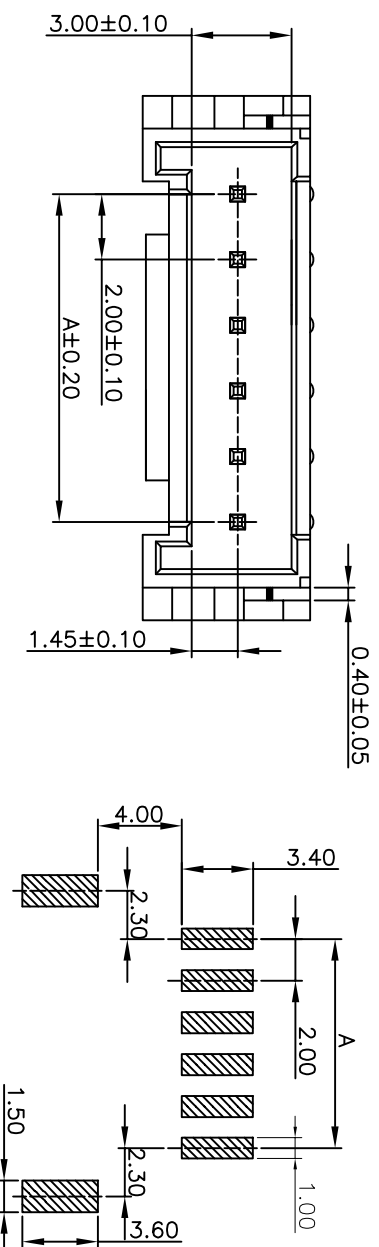
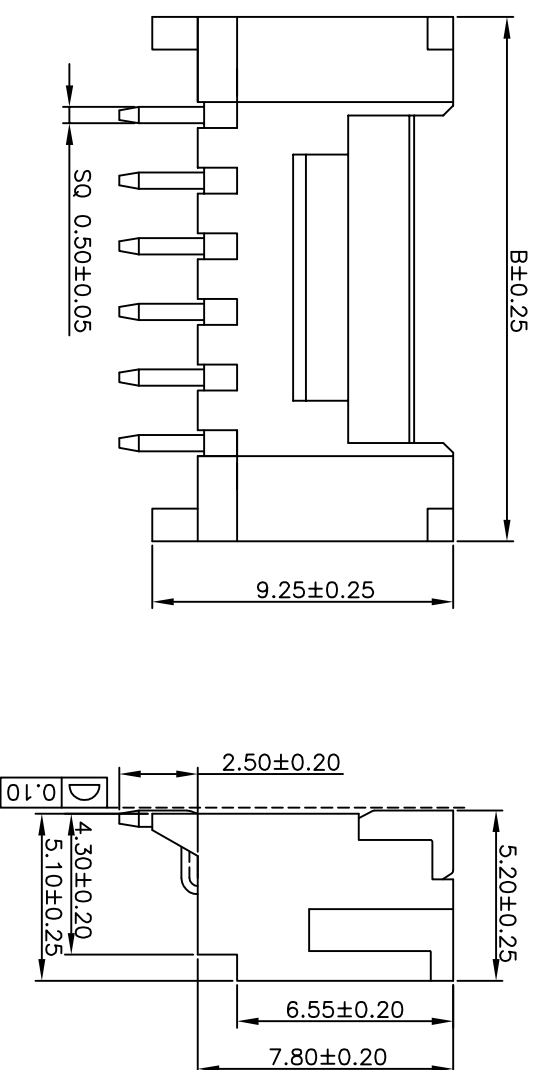


| REV | LOCAS | DESCRIPTION | DRAW | DATE |
|-----|-------|-------------|------|------------|
| A0 | NEW | PERLIMINARY | Long | 2018.04.06 |

SPECIFICATIONS

- 1、 Current Rating:2A
- 2、 Voltage Rating:100V
- 3、 Temperature Range:-25°C~+85°C
- 4、 Contact Resistance:20mΩ Max
- 5、 Insulation Resistance:1000MΩ Min
- 6、 Withstanding Voltang:800V AC/minute
- 7、 Material & Finish:
Housing:LCP, UL94 V-0
PIN:Brass, Plated Tin
Nail:Brass, Plated Tin



Ordering Information

P:Pin Header Series
A:Finished Product
No.of PINS
Plating Number
200:Pitch 2.00mm
520:Height 5.20mm

P A XX 12 200 520- 92 S M S

S:SMT TYPE
D:DIP TYPE
M:Male(排针)
F:Female(排母)
S:Single(单排)
D:Double(双排)
Running number

RECOMMEND P.C.B LAYOUT
PCB TOLERANCE:±0.05 (TOP VIEW)

| Circuits | Dimensions mm | |
|----------|---------------|-------|
| | A | B |
| 02 | 2.00 | 8.00 |
| 03 | 4.00 | 10.00 |
| 04 | 6.00 | 12.00 |
| 05 | 8.00 | 14.00 |
| 06 | 10.00 | 16.00 |
| 07 | 12.00 | 18.00 |
| 08 | 14.00 | 20.00 |
| 09 | 16.00 | 22.00 |
| 10 | 18.00 | 24.00 |
| 11 | 20.00 | 26.00 |
| 12 | 22.00 | 28.00 |
| 13 | 24.00 | 30.00 |
| 14 | 26.00 | 32.00 |
| 15 | 28.00 | 34.00 |
| 16 | 30.00 | 36.00 |
| 17 | 32.00 | 38.00 |
| 18 | 34.00 | 40.00 |
| 19 | 36.00 | 42.00 |
| 20 | 38.00 | 44.00 |

| MEASURE POINT: | ① |
|--------------------|------|
| QUADRANT POINT | (TP) |
| TANGENCY POINT | (TP) |
| INTERSECTION POINT | (IP) |

UNLESS OTHERWISE SPECIFIED, TOLERANCE:

| | |
|---------|-------|
| X | ±0.25 |
| XX | ±0.20 |
| XXX | ±0.15 |
| ANGULAR | ±5° |



DONG GUAN D-CHAIN TECHNOLOGY CO.,LTD

| DRAWN | Long | DATE | 2018.04.06 | TITLE: | Pitch2.0 Water SMT TYPE |
|-------------|--------------------|-------|------------|--------|-------------------------|
| CHECKED | | DATE | | | |
| APPROVED | | DATE | | | |
| PART No. | PAXX12200520-92SMS | REV: | A0 | SCALE: | 1:1 |
| DRAWING No. | | SIZE: | A4 | SHEET: | 1/1 |

1 2 3 4 5 6 7

X-ON Electronics

Largest Supplier of Electrical and Electronic Components

Click to view similar products for [Headers & Wire Housings](#) category:

Click to view products by [D-CHAIN](#) manufacturer:

Other Similar products are found below :

[0015917161](#) [0022155065](#) [57102-F02-18ULF](#) [58102-G61-06LF](#) [582553-1](#) [01.001.5753.1](#) [0050291907](#) [02.125.8002.8](#) [609-3404](#) [61062-3](#)
[CSU011177004](#) [622-0430](#) [622-3653LF](#) [63453-116](#) [636-1030](#) [636-1427](#) [636-3427](#) [636-4007](#) [641938-9](#) [65495-038](#) [65692-001LF](#) [65781-018](#)
[65781-047](#) [65817-010LF](#) [65817-015LF](#) [67095-007LF](#) [67601157](#) [68631-112](#) [699319-000](#) [70.362.1628.0](#) [70-4210](#) [70-4226B](#) [70-4853B](#) [707-](#)
[5028](#) [71.350.2428.0](#) [733-134](#) [733-162](#) [760-3052](#) [MHR-64-VUAL](#) [80.063.4001.1](#) [800-90-001-10-001000](#) [801-43-002-10-013000](#)
[801-43-006-10-002000](#) [803-43-024-10-001000](#) [803-93-012-10-001000](#) [8-1437020-4](#) [819-22-004-30-001101](#) [820-22-006-30-001101](#)
[820-22-008-30-001101](#) [821-22-002-10-001101](#)