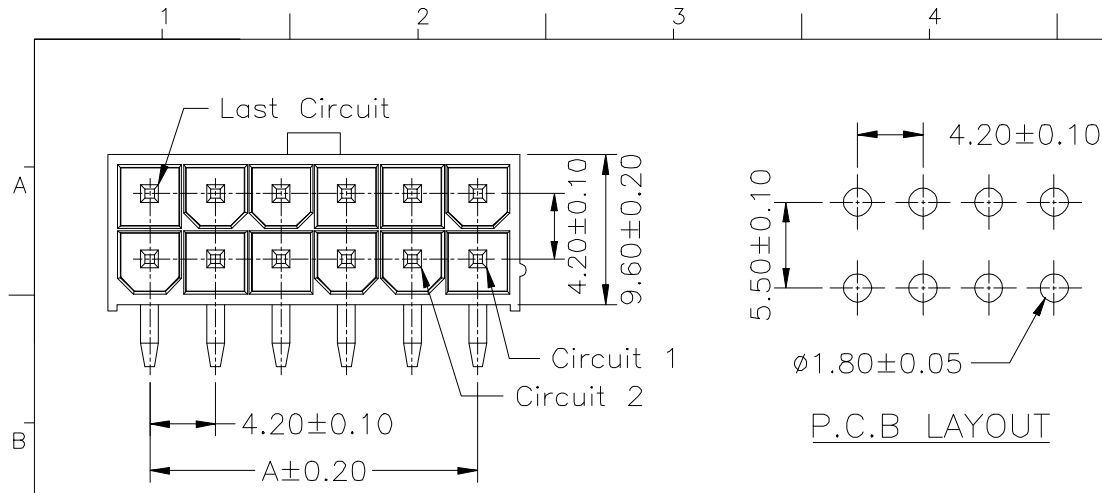
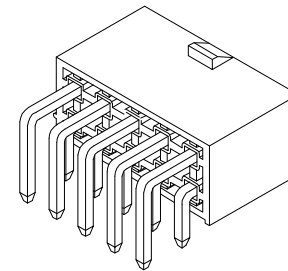
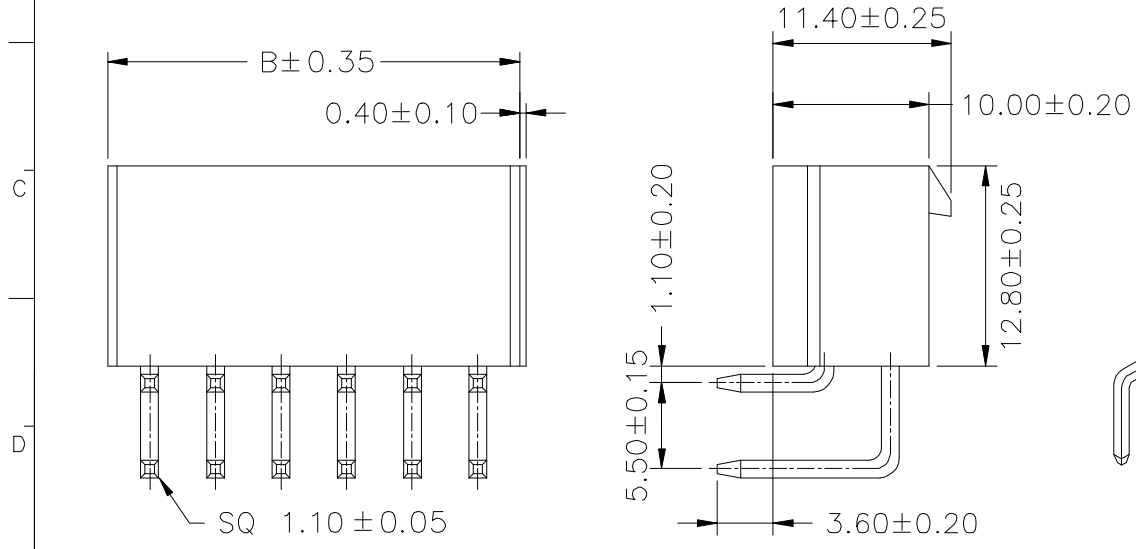


REV	LOCAS	DESCRIPTION	DRAW	DATE
AO	NEW	PERLIMINARY	Long	2018.08.27



**SPECIFICATIONS**

Current Rating: 9A AC,DC  
Voltage Rating: 250V AC,DC  
Temperature Range: -25°C ~ +85°C  
Contact Resistance: 10mΩ Max  
Insulation Resistance: 1000MΩ Min  
Withstanding Voltage: 1500V AC/minute  
Pin Material: Brass/Tin-plated  
Material: Nylon 66,UL94V-2  
Color: Natural(Translucent)



24	PA2412420100-128DMD	46.20	51.60
22	PA2212420100-128DMD	42.00	47.40
20	PA2012420100-128DMD	37.80	43.20
18	PA1812420100-128DMD	33.60	39.00
16	PA1612420100-128DMD	29.40	34.80
14	PA1412420100-128DMD	25.20	30.60
12	PA1212420100-128DMD	21.00	26.40
10	PA1012420100-128DMD	16.80	22.20
8	PA0812420100-128DMD	12.60	18.00
6	PA0612420100-128DMD	8.40	13.80
4	PA0412420100-128DMD	4.20	9.60
2	PA0212420100-128DMD	/	5.40
Circuits	180'	A	B
	Part No.	Dimension(mm)	

**Ordering Information**

P A XX 12 420 100-128 D M D

P: Pin Header Series  
A: Finished Product  
No. of PINS:  
Plating Number:  
420Pitch 4.20mm  
100: Height 10.0mm

S: SMT TYPE  
D: DIP TYPE  
M: Male(排针)  
F: Female(排母)  
S: Single(单排)  
D: Double(双排)  
Running number

MEASURE POINT:  
QUADRANT POINT (QP)  
TANGENCY POINT (TP)  
INTERSECTION POINT (IP)



DONG GUAN D-CHAIN TECHNOLOGY CO.,LTD

UNLESS OTHERWISE SPECIFIED, TOLERANCE:  
X. ±0.25  
X.x ±0.20  
X.xx ±0.15  
ANGULAR ±3°

DRAWN	Long	DATE	2018.08.27
CHECKED		DATE	
APPROVED		DATE	
PART No.	PAXX12420100-128DMD		
DRAWING No.			

TITLE:	REV:	SCALE:	UNIT:
PITCH4.20mm H10.0mm DIP TYPE	AO	1:1	mm
	A4	1/1	

## X-ON Electronics

Largest Supplier of Electrical and Electronic Components

*Click to view similar products for [Headers & Wire Housings](#) category:*

*Click to view products by [D-CHAIN](#) manufacturer:*

Other Similar products are found below :

[0015917161](#) [0022155065](#) [57102-F02-18ULF](#) [58102-G61-06LF](#) [582553-1](#) [01.001.5753.1](#) [0050291907](#) [02.125.8002.8](#) [609-3404](#) [61062-3](#)  
[CSU011177004](#) [622-0430](#) [622-3653LF](#) [63453-116](#) [636-1030](#) [636-1427](#) [636-3427](#) [636-4007](#) [641938-9](#) [65495-038](#) [65692-001LF](#) [65781-018](#)  
[65781-047](#) [65817-010LF](#) [65817-015LF](#) [67095-007LF](#) [67601157](#) [68631-112](#) [699319-000](#) [70.362.1628.0](#) [70-4210](#) [70-4226B](#) [70-4853B](#) [707-](#)  
[5028](#) [71.350.2428.0](#) [733-134](#) [733-162](#) [760-3052](#) [MHR-64-VUAL](#) [80.063.4001.1](#) [800-90-001-10-001000](#) [801-43-002-10-013000](#)  
[801-43-006-10-002000](#) [803-43-024-10-001000](#) [803-93-012-10-001000](#) [8-1437020-4](#) [819-22-004-30-001101](#) [820-22-006-30-001101](#)  
[820-22-008-30-001101](#) [821-22-002-10-001101](#)