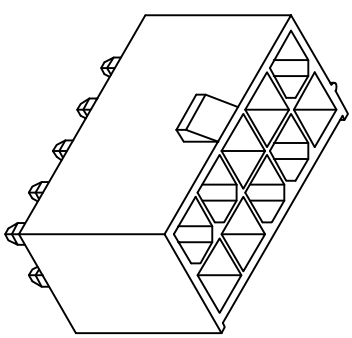
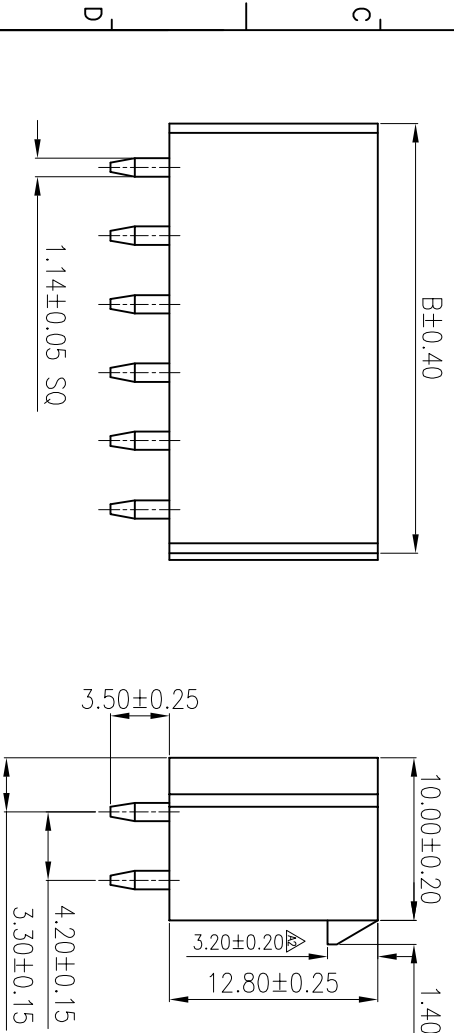


RECOMMENDED PCB LAYOUT
TOLERANCE: ±0.05

SPECIFICATIONS

Current Rating: 9A AC,DC
Voltage Rating: 800V AC,DC
Temperature Range: -25°C ~ +85°C
Contact Resistance: 10mΩ Max.
Insulation Resistance: 1000MΩ Min.
Withstanding Voltage: 1500V AC/minute
Pin Material: Brass/Tin-plated
Material: Nylon 66, UL94V-0
Color: Natural(Translucent)

REV	LOOKS	DESCRIPTION	DRAWN	DATE
A0	NEW	PERLIMINARY	Long	2018.08.27
A1	UPDATED		LUU	2019.06.17
A2	UPDATED		LUU	2019.08.28



Circuits	Part No.	Dimension(mm)
		A B
24	PA2412420130-127DMD	46.20 52.20
22	PA2212420130-127DMD	42.00 47.80
20	PA2012420130-127DMD	37.80 43.50
18	PA1812420130-127DMD	33.60 39.40
16	PA1612420130-127DMD	29.40 35.20
14	PA1412420130-127DMD	25.20 31.00
12	PA1212420130-127DMD	21.00 26.75
10	PA1012420130-127DMD	16.80 22.45
8	PA0812420130-127DMD	12.60 18.20
6	PA0612420130-127DMD	8.40 14.00
4	PA0412420130-127DMD	4.20 9.80
2	PA0212420130-127DMD	/ 5.60

Ordering Information

P A XX 12 420 130-127 D M D
 P:Pin Header Series
 A:Finished Product
 No.of PINS:
 Plating Number:
 420Pitch 4.20mm
 130:Height 13.0mm
 S:SMT TYPE
 D:DIP TYPE
 M:Male(排针)
 F:Femle(排母)
 S:Single(单排)
 D:Double(双排)
 Running number



Dongguan D-CHAIN Precision Components Co.,Ltd

MEASURE POINT:
 QUADRANT POINT
 TANGENCY POINT
 INTERSECTION POINT
 UNLESS OTHERWISE SPECIFIED, TOLERANCE:
 X ±0.25
 X.X ±0.15
 ANGULAR ±5

DRAWN	LUU	DATE	2019.06.17	TITLE:
CHECKED		DATE		PITCH4.20mm H13.0mm DIP TYPE
APPROVED		DATE		
PART No.	PA0012420130-127DMD	REV:	A2	SCALE:
DRAWING No.		SIZE:	A4	SHEET:
		UNIT:	mm	

X-ON Electronics

Largest Supplier of Electrical and Electronic Components

Click to view similar products for [Headers & Wire Housings](#) category:

Click to view products by [D-CHAIN](#) manufacturer:

Other Similar products are found below :

[0015917161](#) [0022155065](#) [57102-F02-18ULF](#) [58102-G61-06LF](#) [582553-1](#) [01.001.5753.1](#) [0050291907](#) [02.125.8002.8](#) [609-3404](#) [61062-3](#)
[CSU011177004](#) [622-0430](#) [622-3653LF](#) [63453-116](#) [636-1030](#) [636-1427](#) [636-3427](#) [636-4007](#) [641938-9](#) [65495-038](#) [65692-001LF](#) [65781-018](#)
[65781-047](#) [65817-010LF](#) [65817-015LF](#) [67095-007LF](#) [67601157](#) [68631-112](#) [699319-000](#) [70.362.1628.0](#) [70-4210](#) [70-4226B](#) [70-4853B](#) [707-](#)
[5028](#) [71.350.2428.0](#) [733-134](#) [733-162](#) [760-3052](#) [MHR-64-VUAL](#) [80.063.4001.1](#) [800-90-001-10-001000](#) [801-43-002-10-013000](#)
[801-43-006-10-002000](#) [803-43-024-10-001000](#) [803-93-012-10-001000](#) [8-1437020-4](#) [819-22-004-30-001101](#) [820-22-006-30-001101](#)
[820-22-008-30-001101](#) [821-22-002-10-001101](#)