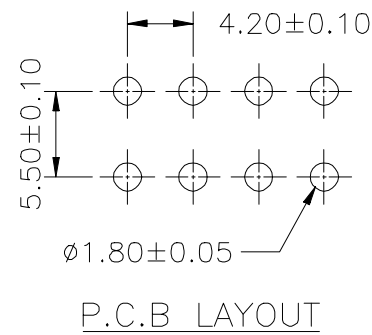
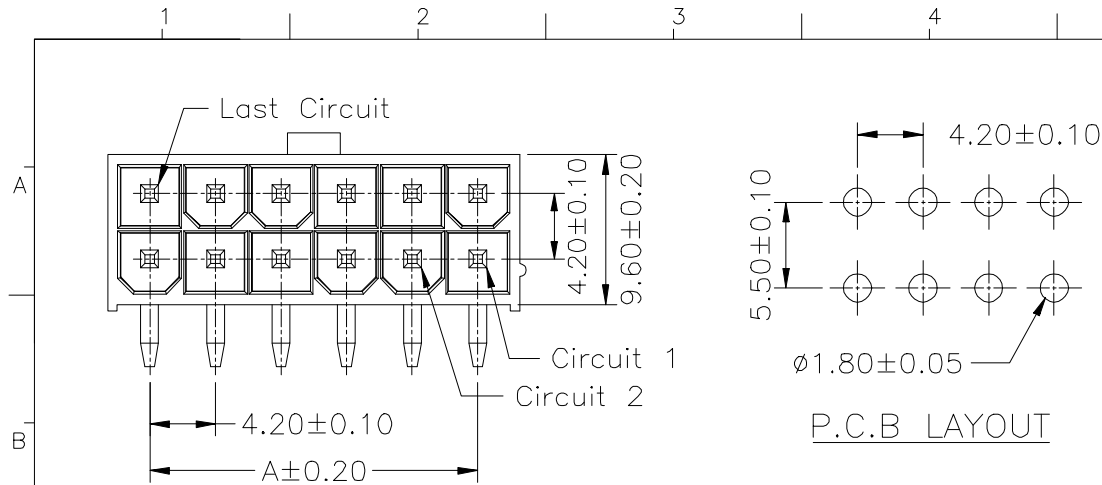
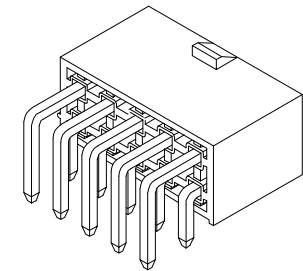
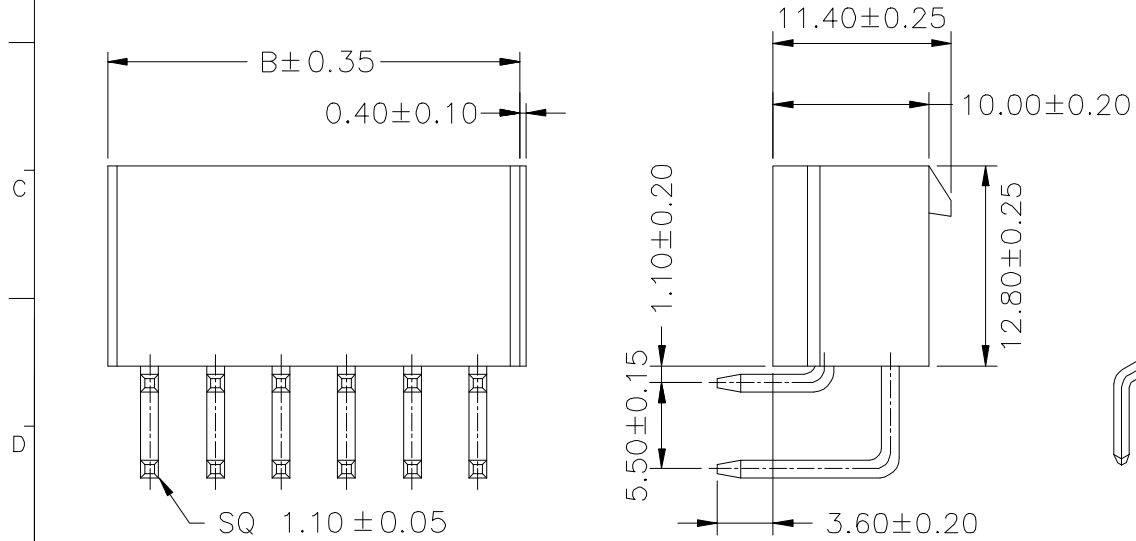


| REV | LOCAS | DESCRIPTION | DRAW | DATE       |
|-----|-------|-------------|------|------------|
| AO  | NEW   | PERLIMINARY | Long | 2018.08.27 |



**SPECIFICATIONS**  
 Current Rating: 9A AC,DC  
 Voltage Rating: 250V AC,DC  
 Temperature Range: -25°C ~ +85°C  
 Contact Resistance: 10mΩ Max  
 Insulation Resistance: 1000MΩ Min  
 Withstanding Voltage: 1500V AC/minute  
 Pin Material: Brass/Tin-plated  
 Material: Nylon 66,UL94V-2  
 Color: Natural(Translucent)



|          |                     |               |       |
|----------|---------------------|---------------|-------|
| 24       | PA2412420100-128DMD | 46.20         | 51.60 |
| 22       | PA2212420100-128DMD | 42.00         | 47.40 |
| 20       | PA2012420100-128DMD | 37.80         | 43.20 |
| 18       | PA1812420100-128DMD | 33.60         | 39.00 |
| 16       | PA1612420100-128DMD | 29.40         | 34.80 |
| 14       | PA1412420100-128DMD | 25.20         | 30.60 |
| 12       | PA1212420100-128DMD | 21.00         | 26.40 |
| 10       | PA1012420100-128DMD | 16.80         | 22.20 |
| 8        | PA0812420100-128DMD | 12.60         | 18.00 |
| 6        | PA0612420100-128DMD | 8.40          | 13.80 |
| 4        | PA0412420100-128DMD | 4.20          | 9.60  |
| 2        | PA0212420100-128DMD | /             | 5.40  |
| Circuits | 180'                | A             | B     |
|          | Part No.            | Dimension(mm) |       |

**Ordering Information**

P A XX 12 420 100-128 D M D

P: Pin Header Series  
 A: Finished Product  
 No. of PINS:  
 Plating Number:  
 420Pitch 4.20mm  
 100: Height 10.0mm

S: SMT TYPE  
 D: DIP TYPE  
 M: Male(排针)  
 F: Female(排母)  
 S: Single(单排)  
 D: Double(双排)  
 Running number

|   |   |      |         |      |                              |            |         |                              |          |
|---|---|------|---------|------|------------------------------|------------|---------|------------------------------|----------|
| MEASURE POINT:<br>QUADRANT POINT (QP)<br>TANGENCY POINT (TP)<br>INTERSECTION POINT (IP)     | <b>DONG GUAN D-CHAIN TECHNOLOGY CO.,LTD</b> |      | DRAWN   | Long | DATE                         | 2018.08.27 | TITLE:  | PITCH4.20mm H10.0mm DIP TYPE |          |
| UNLESS OTHERWISE SPECIFIED,TOLERANCE:<br>X. ±0.25<br>X.x ±0.20<br>X.xx ±0.15<br>ANGULAR ±3' |   |      | CHECKED | DATE | DATE                         | DATE       | REV: AO | SCALE: 1:1                   | UNIT: mm |
|   | APPROVED                                    | DATE | DATE    | DATE | PART No. PAXX12420100-128DMD | SHEET: 1/1 |         |                              |          |
|   |   |      |         |      | DRAWING No.                  |            |         |                              |          |

## X-ON Electronics

Largest Supplier of Electrical and Electronic Components

*Click to view similar products for [Headers & Wire Housings](#) category:*

*Click to view products by [D-CHAIN](#) manufacturer:*

Other Similar products are found below :

[0015917161](#) [0022155065](#) [57102-F02-18ULF](#) [58102-G61-06LF](#) [582553-1](#) [01.001.5753.1](#) [0050291907](#) [02.125.8002.8](#) [609-3404](#) [61062-3](#)  
[CSU011177004](#) [622-0430](#) [622-3653LF](#) [63453-116](#) [636-1030](#) [636-1427](#) [636-3427](#) [636-4007](#) [641938-9](#) [65495-038](#) [65692-001LF](#) [65781-018](#)  
[65781-047](#) [65817-010LF](#) [65817-015LF](#) [67095-007LF](#) [67601157](#) [68631-112](#) [699319-000](#) [70.362.1628.0](#) [70-4210](#) [70-4226B](#) [70-4853B](#) [707-](#)  
[5028](#) [71.350.2428.0](#) [733-134](#) [733-162](#) [760-3052](#) [MHR-64-VUAL](#) [80.063.4001.1](#) [800-90-001-10-001000](#) [801-43-002-10-013000](#)  
[801-43-006-10-002000](#) [803-43-024-10-001000](#) [803-93-012-10-001000](#) [8-1437020-4](#) [819-22-004-30-001101](#) [820-22-006-30-001101](#)  
[820-22-008-30-001101](#) [821-22-002-10-001101](#)