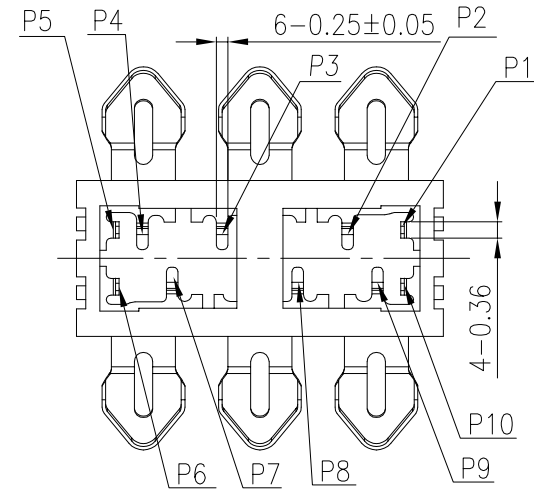
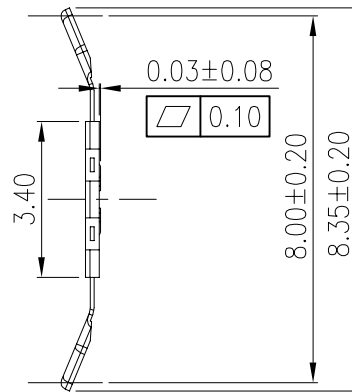
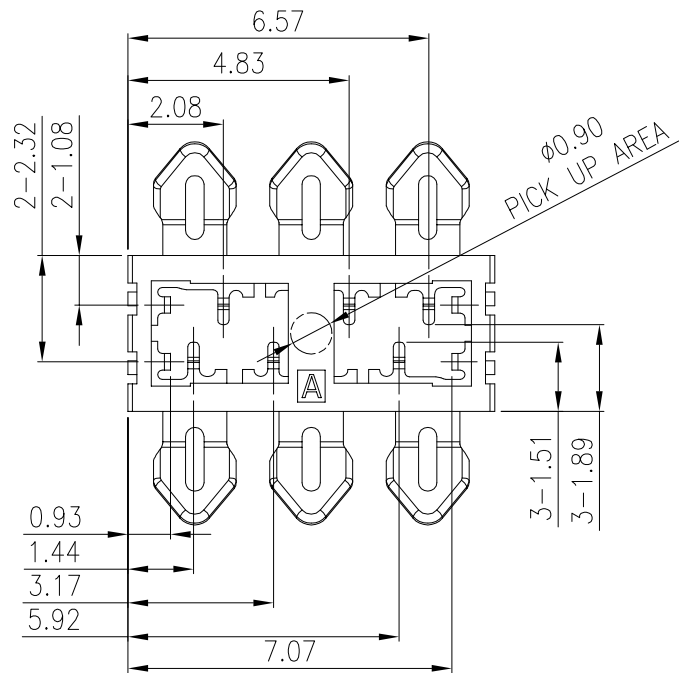
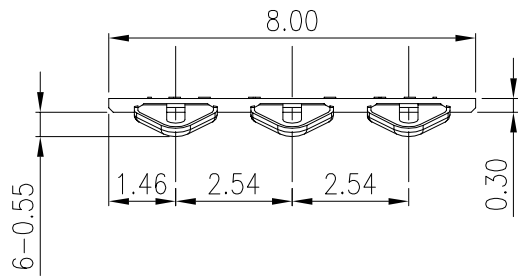


REV	LOCAS	DESCRIPTION	DRAW	DATE.
01	NEW	INITIAL RELEASE	LIU	2019.03.04
02		UPDATED	LIU	2021.06.29
03		UPDATED	Andy	2022.06.14

NOTES:

1. MATERIAL:
 - 1.1 HOUSING:THERMOPLASTIC UL94V-0; COLOR BLACK.
 - 1.2 CONTACT TERMINAL:COPPER ALLOY.
2. FINISH:
 - 2.1 CONTACT: PLATED AU ON CONTACT AREA AND SOLDER AREA, NICKEL UNDERPLATED OVER ALL.
3. SPECIALITY:
 - 3.1 VOLTAGE RATING:50V
 - 3.2 CURRENT RATING:1.0A
 - 3.3 CONTACT RESISTANCE:100 MILL.OHM MAX
 - 3.4 INSULATION RESISTANCE:1000MEG.OHM MIN AT DC 250V
 - 3.5 WITHSTANDING VOLTAGE:AC250V R.M.S
 - 3.6 OPERATION TEMPERATURE: -25°C~+85°C
 - 3.7 DURABILITY:1000 CYCLES



MEASURE POINT:
 QUADRANT POINT (QP)
 TANGENCY POINT (TP)
 INTERSECTION POINT (IP)



DongGuan D-CHAIN Precision Components CO, Ltd

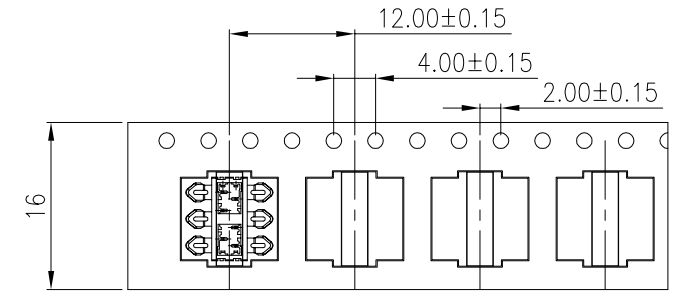
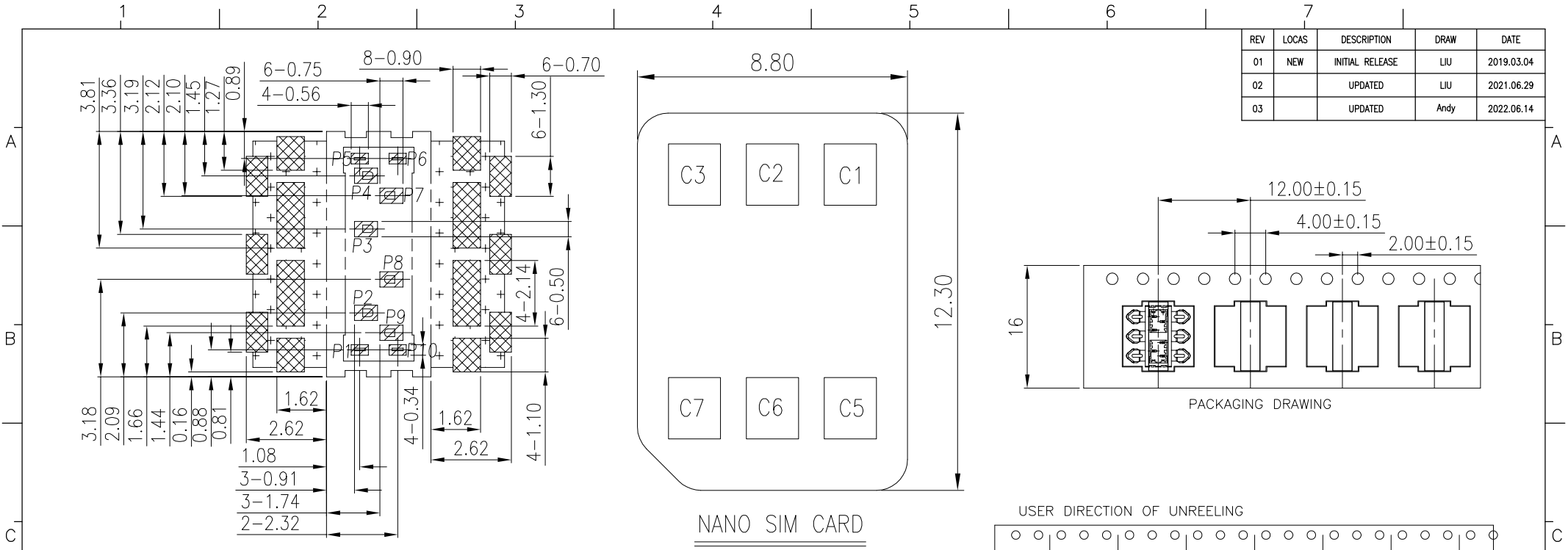
UNLESS OTHERWISE SPECIFIED, TOLERANCE:

X.	±0.25
X.x	±0.20
X.xx	±0.10
ANGULAR	±3°

DESIGN	LIU	DATE	2019.03.04	TITLE:	1.35H 分体式 三选二卡座(SIM卡卡芯)
CHECKED		DATE			
APPROVED		DATE			
PART NO:	SA0601254030-145			REV:	03
DRAWING NO:				SCALE:	1:1
				UNIT:	mm
				SIZE:	A4
				SHEET:	3/5



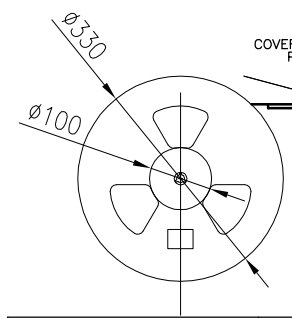
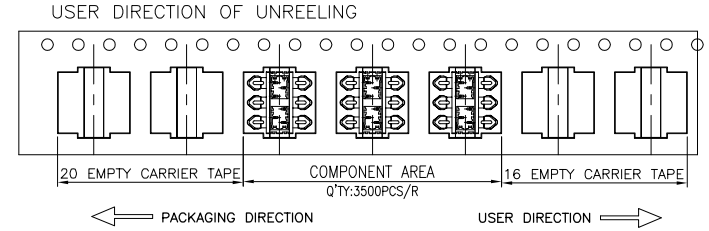
REV	LOCAS	DESCRIPTION	DRAW	DATE
01	NEW	INITIAL RELEASE	LIU	2019.03.04
02		UPDATED	LIU	2021.06.29
03		UPDATED	Andy	2022.06.14



PACKAGING DRAWING

- SMT SOLDER AREA
 - OPEN WIRE RESTRICTED AREA
 - OPEN WIRE & COPPER RESTRICTED AREA
- 1.TOUCH AREA OF CONTACT TIPS,NO ELECTRICAL FUNCTION
2.NO FIRST PCB-LAYER CIRCUITS IN THE AREA

RECOMMENDED PCB LAYOUT
GENERAL TOLERANCE ± 0.05



COVER TAPE PEELING ANGLE:165°~180°
PEELING FORCE:20~130g

PACKAGE:
Q'TY:3500PCS/REEL

SIM Card terminal NO	Pin NO	Pin NO	Pin NO
P1 P2	C1	vcc:pwr	signal and GND
P3	C2	RST:	Reset signal
P4 P5	C3	CLK:	Clocking signal
P9 P10	C5	GND:PWR	signal and GND
P8	C6	vpp:	programming voltage
P6 P7	C7	I/O:	seral date input/output

MEASURE POINT: QUADRANT POINT (QP) TANGENCY POINT (TP) INTERSECTION POINT (IP)	DongGuan D-CHAIN Precision Components CO, Ltd					
	DESIGN	LIU	DATE	2019.03.04	TITLE:	
	CHECKED		DATE		1.35H 分体式 三选二卡座 (SIM卡卡芯)	
	APPROVED		DATE			
UNLESS OTHERWISE SPECIFIED, TOLERANCE:	PART NO: SA0601254030-145			REV: 03	SCALE: 1:1	UNIT: mm
X. ± 0.25	DRAWING NO:			SIZE: A4	SHEET: 4/5	
X.x ± 0.20						
X.xx ± 0.10						
ANGULAR $\pm 3'$						

X-ON Electronics

Largest Supplier of Electrical and Electronic Components

Click to view similar products for [Memory Card Connectors](#) category:

Click to view products by [D-CHAIN](#) manufacturer:

Other Similar products are found below :

[6407-249V-25273P](#) [6407-249V-25343P](#) [6426-201-21343](#) [69.920.0553.0](#) [MCR60A-98D-2.54DSA\(70\)](#) [809180410000000](#) [DM3AT-SF-PEJM5\(41\)](#) [IC11S-BUR-PNEJL\(71\)](#) [C70210M0083692](#) [252-0144-000](#) [2041353-2](#) [308-DS1P0811-192](#) [HM2P09PDR360N9LF](#) [10014744-011TLF](#) [11327-001](#) [11327-002](#) [NX1-32T-KT3K\(05\)](#) [95622-003LF](#) [84648-056HLF](#) [CCM03-3109 B LFT](#) [MS3116J10-6PW](#) [2309923-1](#) [61126-050CAHLF](#) [GTFP08432B1HR](#) [G85D1160022HHR](#) [SCE2MSDB76A121SN](#) [SCE2MSDZN76A121SN](#) [10014744-011ALF](#) [10014744-011LF](#) [10057542-1211FLF](#) [10067972-000LF](#) [10067972-050LF](#) [10122302-20110LF](#) [G85D1162022HHR](#) [TF-05A](#) [M6014-12](#) [XKNANO-1412](#) [SMN-304-ARP6](#) [MIS11-S1F1-2000-A](#) [SMN-308-ARSP7](#) [SMN-308-ACSP7](#) [K-DYX-008](#) [K-DYX-004](#) [HYCW126-TF18-150B](#) [C7024-03](#) [SMO-1030](#) [MCS-110-KT](#) [SIM-217](#) [SNO-1355-KT](#) [SMO-1025-P10](#)