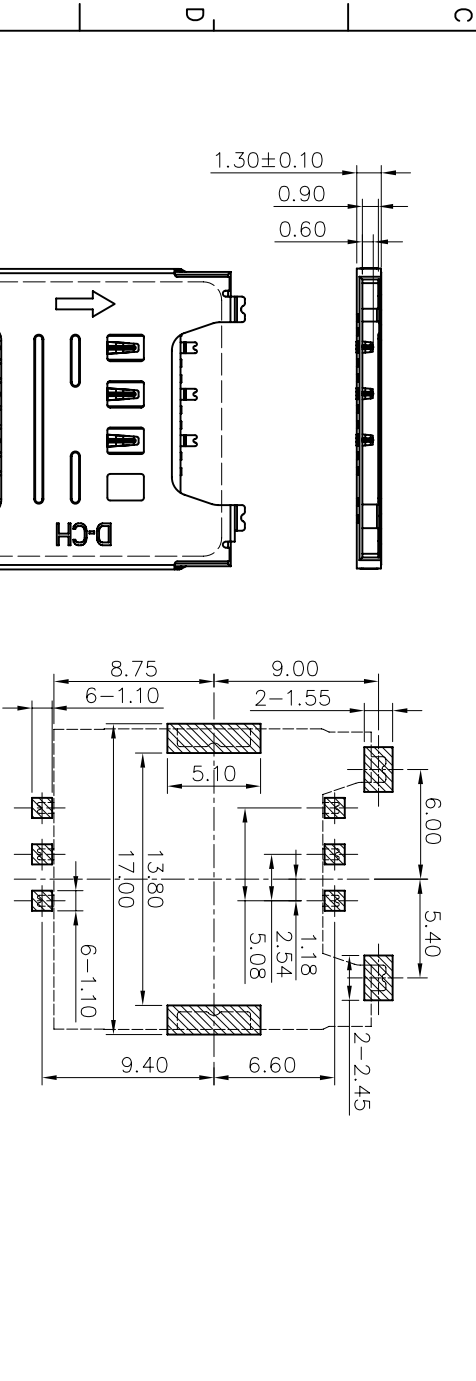
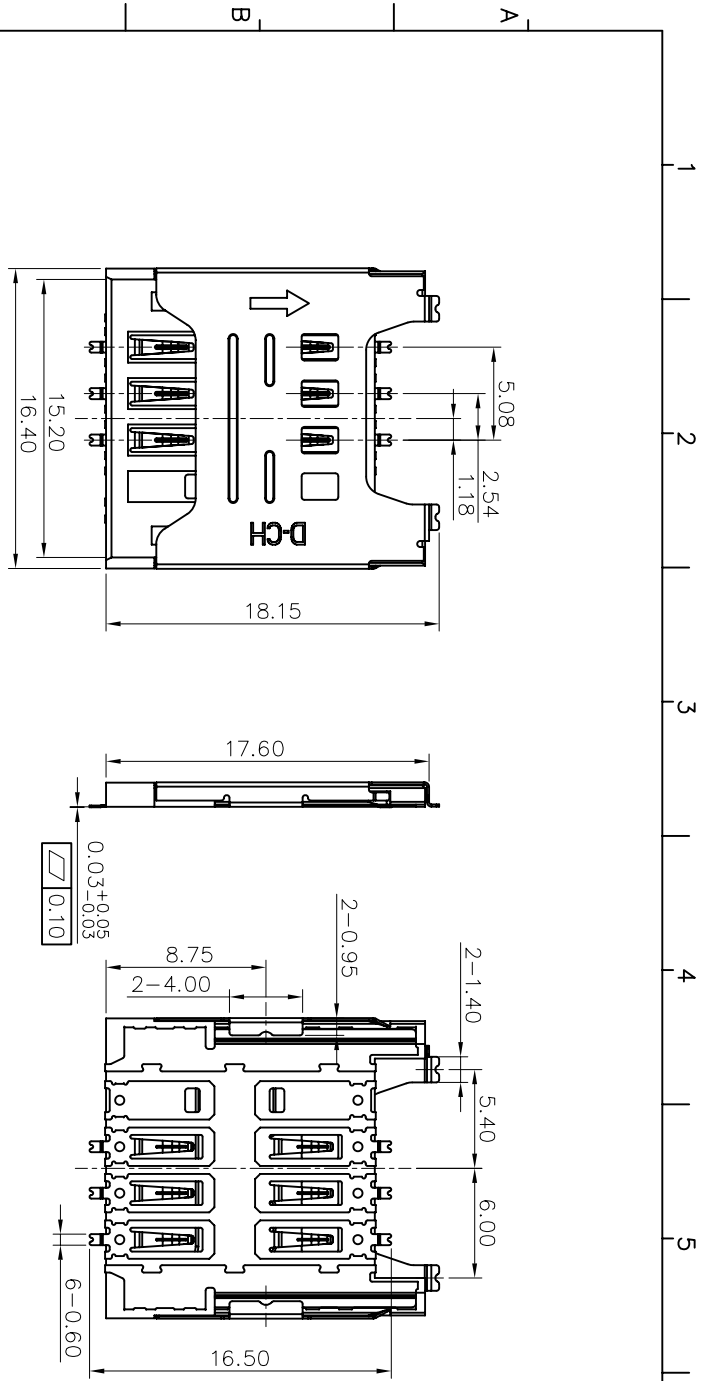


REV	LOCALS	DESCRIPTION	DRAW	DATE
01	NEW	PERLIMINARY	Andy	2013.03.06
02	ADD	WITHOUT LOGO	Andy	2016.01.08

NOTES:

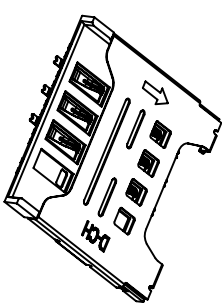
- MATERIAL:
  - Housing: High Temperature Thermoplastic UL94V-0; Color Black.
  - Terminal: Copper Alloy.
  - Sheel: Stainless Steel
- FINISH:
  - Terminal: Plated Gold on the Contact Area and Solder Tails, Underplated Nickel Over all.
  - Shell: Plated Gold on the Solder Tails, Underplated Nickel Over all.
- SPECIALITY:
  - Rated current: 0.5A
  - Rated voltage: 30V
  - Contact Resistance: 50mΩ MAX
  - Insulation Resistance: 100MΩ MIN 100V DC
  - Dielectric withstanding voltage: 250V AC.
  - Solder ability: 245±5°C, 5±0.5s.
  - Durability: 5000 Cycles Min.



RECOMMENDED PCB LAYOUT

TOLERANCE: ±0.05  
THERE SHOULD NOT BE ANY CIRCUITRIES IN THE LAYOUT SPACE OF THE PRODUCT.

PART NO	DESC
SA0601254130-55	1.3H 6PIN SIM CARD(WITH LOGO)
SA0601254130-55-02	1.3H 6PIN SIM CARD(WITHOUT LOGO)



MEASURE POINT:  
QUADRANT POINT (QP)  
TANGENCY POINT (TP)  
INTERSECTION POINT (IP)

UNLESS OTHERWISE SPECIFIED, TOLERANCE:

X ±0.25  
X.X ±0.20  
X.XX ±0.15  
ANGULAR ±3°

**SHEN ZHEN D-CHAIN TECHNOLOGY CO., LTD**

D-CHAIN TITLE: 1.3H 6PIN SIM CARD

DESIGN	DATE	REV.	SCALE	UNIT
Andy	2013.02.18	02	1:1	mm
CHECKED	DATE			
APPROVED	DATE			
PART NO: SA0601254130-55/SA0601254130-55-02	REV: 02	SCALE: 1:1	UNIT: mm	
DRAWING NO: DGS0601254130-55	SIZE: A4	SHEET: 1/1		

## X-ON Electronics

Largest Supplier of Electrical and Electronic Components

*Click to view similar products for [Memory Card Connectors](#) category:*

*Click to view products by [D-CHAIN](#) manufacturer:*

Other Similar products are found below :

[6407-249V-25273P](#) [6407-249V-25343P](#) [6426-201-21343](#) [69.920.0553.0](#) [MCR60A-98D-2.54DSA\(70\)](#) [809180410000000](#) [DM3AT-SF-PEJM5\(41\)](#) [IC11S-BUR-PNEJL\(71\)](#) [C70210M0083692](#) [252-0144-000](#) [2041353-2](#) [308-DS1P0811-192](#) [HM2P09PDR360N9LF](#) [10014744-011TLF](#) [11327-001](#) [11327-002](#) [NX1-32T-KT3K\(05\)](#) [95622-003LF](#) [84648-056HLF](#) [CCM03-3109 B LFT](#) [MS3116J10-6PW](#) [2309923-1](#) [61126-050CAHLF](#) [GTFP08432B1HR](#) [G85D1160022HHR](#) [SCE2MSDB76A121SN](#) [SCE2MSDZN76A121SN](#) [10014744-011ALF](#) [10014744-011LF](#) [10057542-1211FLF](#) [10067972-000LF](#) [10067972-050LF](#) [10122302-20110LF](#) [G85D1162022HHR](#) [TF-05A](#) [M6014-12](#) [XKNANO-1412](#) [SMN-304-ARP6](#) [MIS11-S1F1-2000-A](#) [SMN-308-ARSP7](#) [SMN-308-ACSP7](#) [K-DYX-008](#) [K-DYX-004](#) [HYCW126-TF18-150B](#) [C7024-03](#) [SMO-1030](#) [MCS-110-KT](#) [SIM-217](#) [SNO-1355-KT](#) [SMO-1025-P10](#)