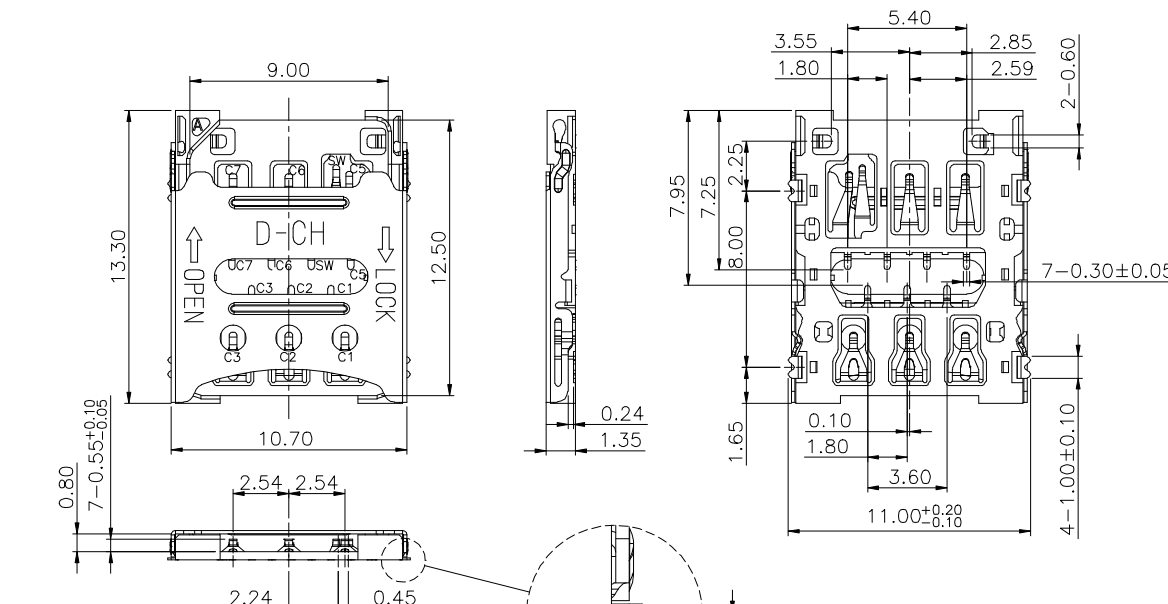
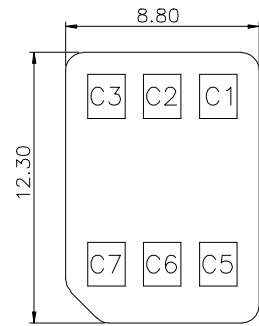
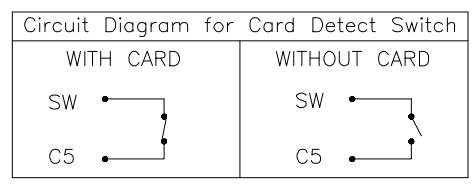
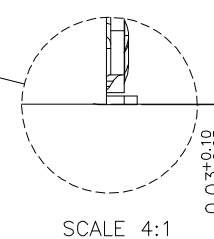
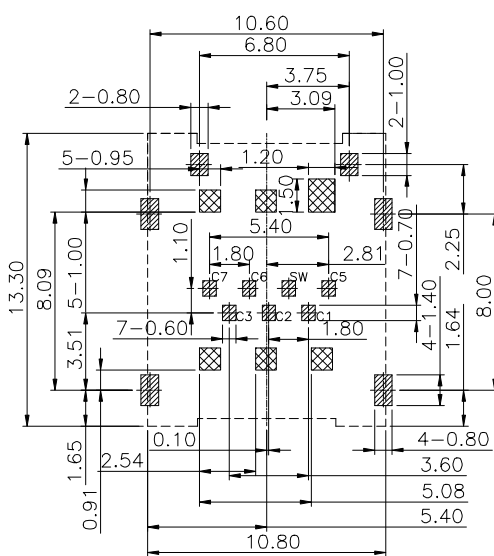


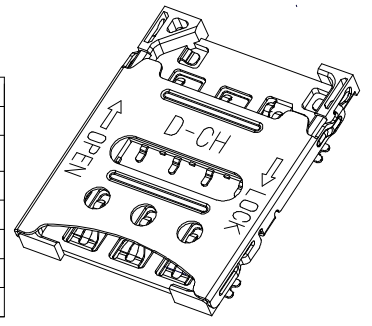
REV	ECN NUMBER	DESCRIPTION	DRAW	DATE
A0	NEW	PERLIMINARY	Andy	2021.03.27
A1		修改写和下载孔结构	LIU	2021.06.29



- NOTES:
- MATERIAL:
 - Housing: High Temperature Thermoplastic; UL94V-0; Color Black.
 - Terminal: Copper Alloy, T=0.10mm.
 - Shell: Stainless Steel, T=0.15mm.
 - FINISH:
 - Terminal: Plated Gold on the Contact Area and Solder Tails
 - Peg: Plated Gold on the Solder Tails.
 - SPECIALITY:
 - Rated current: 1.0A
 - Rated voltage: 50V
 - Contact Resistance: 50mΩ MAX
 - Insulation Resistance: 100MΩMIN 100V DC
 - Dielectric withstanding voltage: 100V AC.
 - Durability Cycles: 2000 Cycles.
 - Solder ability: 245±5°C, 5±0.5s.
 - Operating condition: Temperature: -40°C~+85°C



PIN NO	PIN NAME
C1	VCC
C2	RST
C3	CLK
C5	GND
C6	VPP
C7	I/O
SW	Switch Pin



MEASURE POINT: QUADRANT POINT (QP) TANGENCY POINT (TP) INTERSECTION POINT (IP)	DongGuan D-CHAIN Precision Components CO, Ltd D-CHAIN		DESIGN		Andy	DATE	2021.03.27	TITLE: 1.35 NANO SIM CARD WITH SWITCH PIN HINGE TYPE		
			CHECKED			DATE				
UNLESS OTHERWISE SPECIFIED, TOLERANCE: X. ±0.25 X.x ±0.20 X.xx ±0.15 ANGULAR ±3°	APPROVED			DATE		PART NO.: SA0601254135-158		REV: A1	SCALE: 1:1	UNIT: mm
	DRAWING NO.:				SIZE: A4		SHEET: 1/1			

X-ON Electronics

Largest Supplier of Electrical and Electronic Components

Click to view similar products for [Memory Card Connectors](#) category:

Click to view products by [D-CHAIN](#) manufacturer:

Other Similar products are found below :

[6407-249V-25273P](#) [6407-249V-25343P](#) [6426-201-21343](#) [69.920.0553.0](#) [MCR60A-98D-2.54DSA\(70\)](#) [809180410000000](#) [DM3AT-SF-PEJM5\(41\)](#) [IC11S-BUR-PNEJL\(71\)](#) [C70210M0083692](#) [252-0144-000](#) [2041353-2](#) [308-DS1P0811-192](#) [HM2P09PDR360N9LF](#) [10014744-011TLF](#) [11327-001](#) [11327-002](#) [NX1-32T-KT3K\(05\)](#) [95622-003LF](#) [84648-056HLF](#) [CCM03-3109 B LFT](#) [MS3116J10-6PW](#) [2309923-1](#) [61126-050CAHLF](#) [GTFP08432B1HR](#) [G85D1160022HHR](#) [SCE2MSDB76A121SN](#) [SCE2MSDZN76A121SN](#) [10014744-011ALF](#) [10014744-011LF](#) [10057542-1211FLF](#) [10067972-000LF](#) [10067972-050LF](#) [10122302-20110LF](#) [G85D1162022HHR](#) [TF-05A](#) [M6014-12](#) [XKNANO-1412](#) [SMN-304-ARP6](#) [MIS11-S1F1-2000-A](#) [SMN-308-ARSP7](#) [SMN-308-ACSP7](#) [K-DYX-008](#) [K-DYX-004](#) [HYCW126-TF18-150B](#) [C7024-03](#) [SMO-1030](#) [MCS-110-KT](#) [SIM-217](#) [SNO-1355-KT](#) [SMO-1025-P10](#)