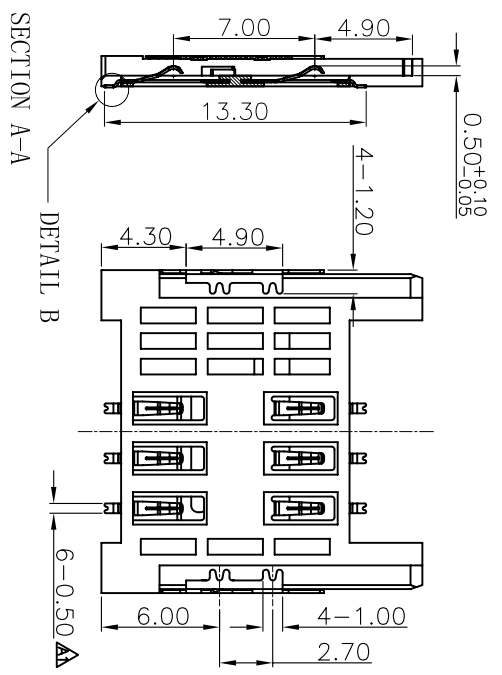
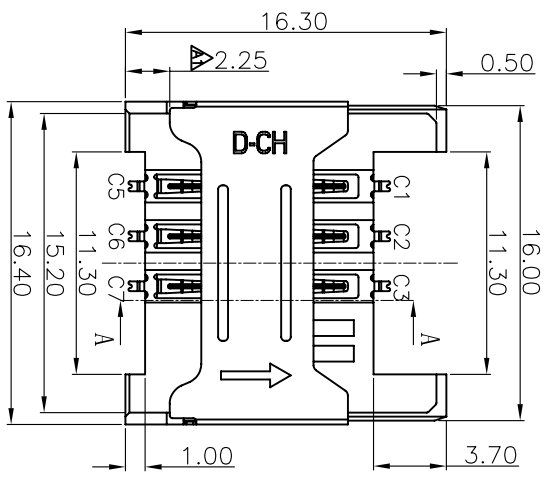
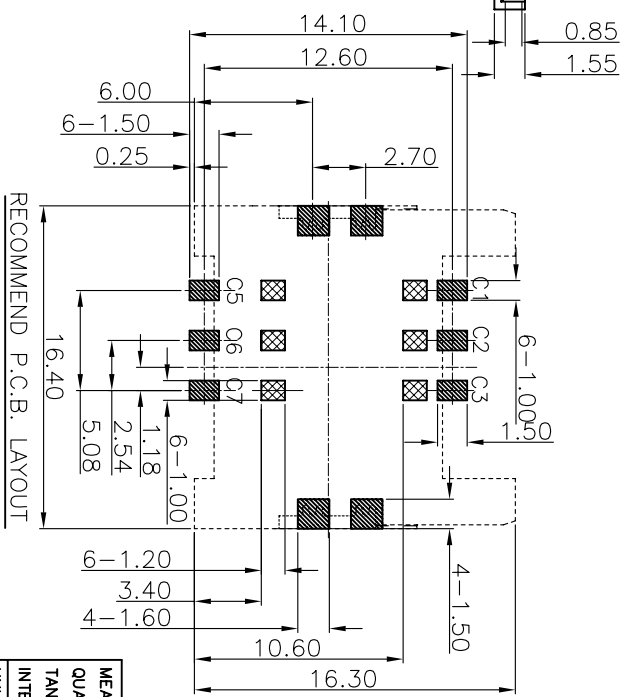


REV	LOCALS	DESCRIPTION	DRAW	DATE
A0	NEW	PERLIMINARY	Wong	2014.01.21
A1	MODIFY		Wong	2014.08.15
A2	ADD PIN DEFINITION		Wong	2014.12.08

- NOTES:
- MATERIAL:
 - Housing: High Temperature Thermoplastic UL94V-0; Color Black.
 - Terminal: Copper Alloy, T=0.12MM. Δ
 - Sheel: Stainless Steel, T=0.15MM.
 - FINISH:
 - Terminal: Plated Gold on the Contact Area, Plated Matte Tin on the Solder Tails, Underplated Nickel Over all.
 - Shell: Plated Gold on the Solder Tails, Underplated Nickel Over all.
 - SPECIALITY:
 - Rated current: 0.5A
 - Rated voltage: 30V
 - Contact Resistance: 50m Ω MAX
 - Insulation Resistance: 100M Ω MIN 100V DC
 - Dielectric withstanding voltage: 100V AC.
 - Solder ability: 245 \pm 5 $^{\circ}$ C, 5 \pm 0.5s.
 - Durdbility: 5000 Cycles Min.



PIN NO	PIN DEFINITION
C1	VCC
C2	RST
C3	CLK
C4	RESERVED
C5	GND
C6	VPP
C7	I/O
C8	RESERVED



TOLERANCE \pm 0.05
RECOMMEND P.C.B. LAYOUT

THESE AREA SHOULD BE FREE OF ANY CONDUCTIVE TRACES
SMT SOLDER AREA

MEASURE POINT: QP
QUADRANT POINT TP
TANGENCY POINT TP
INTERSECTION POINT IP

UNLESS OTHERWISE SPECIFIED, TOLERANCE: X \pm 0.25
Xxx \pm 0.20
ANGULAR XXX \pm 0.15
 \pm 3'

S:SIM CARD Series
A:Finished Product
No. of PINS:06(6PIN)
Standard Plating

DETAIL B
SCALE 4:1
ALL SOLDER TAILS
0.05 \pm 0.05
0.10

Ordering Information
S A 06 01 254 150 -66

Running number:
150:Height 1.50mm
254:Pitch 2.54mm

SHEN ZHEN D-CHAIN TECHNOLOGY CO., LTD

D-CHAIN

TITLE: 1.5H 6PIN SIM CARD

DESIGN	Wong	DATE	2014.01.21	REV: A2	SCALE: 1:1	UNIT: mm
CHECKED	Andy	DATE	2014.01.21			
APPROVED	Andy	DATE	2014.01.21			
PART NO:	S0601254150-66			SIZE: A4	SHEET: 1/1	
DRAWING NO:	D03S0601254150-66					

X-ON Electronics

Largest Supplier of Electrical and Electronic Components

Click to view similar products for [Memory Card Connectors](#) category:

Click to view products by [D-CHAIN](#) manufacturer:

Other Similar products are found below :

[6407-249V-25273P](#) [6407-249V-25343P](#) [6426-201-21343](#) [69.920.0553.0](#) [MCR60A-98D-2.54DSA\(70\)](#) [809180410000000](#) [DM3AT-SF-PEJM5\(41\)](#) [IC11S-BUR-PNEJL\(71\)](#) [C70210M0083692](#) [252-0144-000](#) [2041353-2](#) [308-DS1P0811-192](#) [HM2P09PDR360N9LF](#) [10014744-011TLF](#) [11327-001](#) [11327-002](#) [NX1-32T-KT3K\(05\)](#) [95622-003LF](#) [84648-056HLF](#) [CCM03-3109 B LFT](#) [MS3116J10-6PW](#) [2309923-1](#) [61126-050CAHLF](#) [GTFP08432B1HR](#) [G85D1160022HHR](#) [SCE2MSDB76A121SN](#) [SCE2MSDZN76A121SN](#) [10014744-011ALF](#) [10014744-011LF](#) [10057542-1211FLF](#) [10067972-000LF](#) [10067972-050LF](#) [10122302-20110LF](#) [G85D1162022HHR](#) [TF-05A](#) [M6014-12](#) [XKNANO-1412](#) [SMN-304-ARP6](#) [MIS11-S1F1-2000-A](#) [SMN-308-ARSP7](#) [SMN-308-ACSP7](#) [K-DYX-008](#) [K-DYX-004](#) [HYCW126-TF18-150B](#) [C7024-03](#) [SMO-1030](#) [MCS-110-KT](#) [SIM-217](#) [SNO-1355-KT](#) [SMO-1025-P10](#)