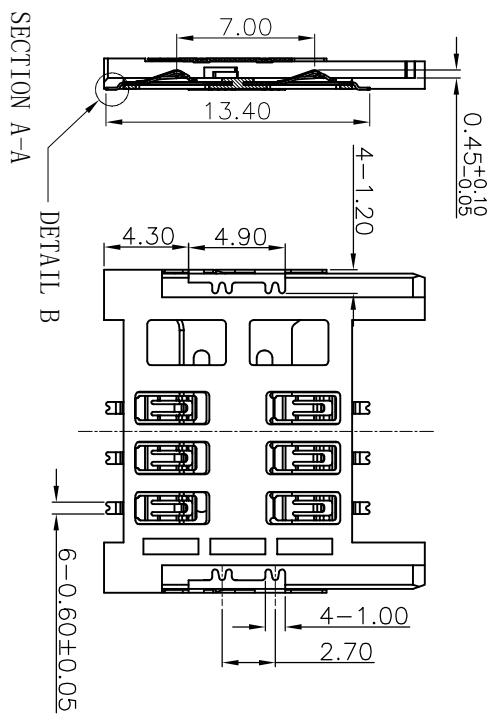
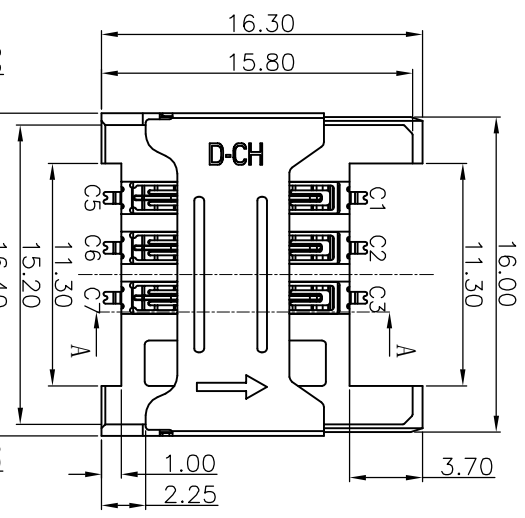


REV	LOCALS	DESCRIPTION	DRAW	DATE
01	NEW	新增规格 (规格发生变更时)	Andy	2020.07.20
02	Δ	UPDATE	Andy	2022.06.15

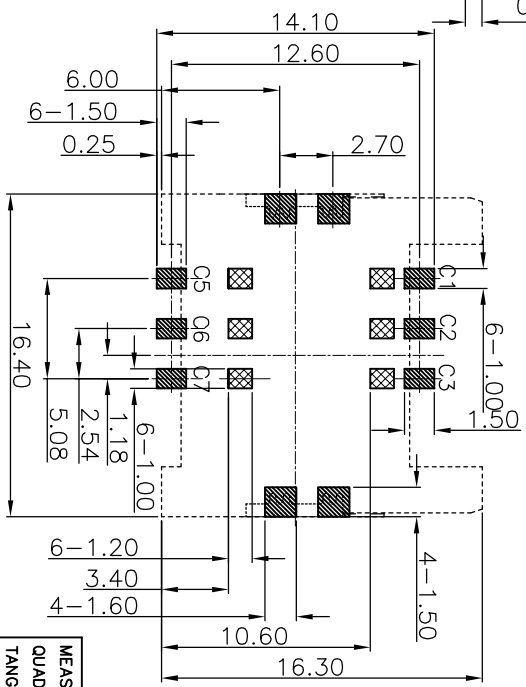
NOTES:

1. MATERIAL:
 - 1.1 Housing: High Temperature Thermoplastic UL94V-0; Color Black.
 - 1.2 Terminal: Copper Alloy, T=0.12MM.
 - 1.3 Shell: Stainless Steel, T=0.15MM.
2. FINISH:
 - 2.1 Terminal: Plated Gold on the Contact Area and Solder Tails, Underplated Nickel Over all.
 - 2.2 Shell: Plated Gold on the Solder Tails, Underplated Nickel Over all.
3. SPECIALITY:
 - 3.1 Rated current: 1.0A
 - 3.2 Rated voltage: 30V
 - 3.3 Contact Resistance: 50m Ω MAX
 - 3.4 Insulation Resistance: 100M Ω MIN 100V DC
 - 3.5 Dielectric withstanding voltage: 100V AC.
 - 3.6 Solder ability: 245 \pm 5 $^{\circ}$ C, 5 \pm 0.5s.
 - 3.7 Durability: 5000 Cycles Min.



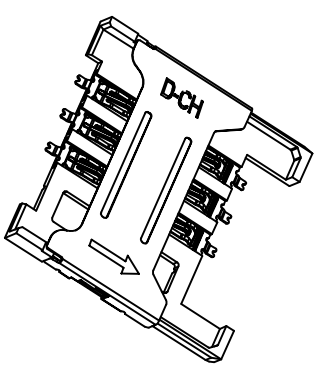
DETAIL B
SCALE 4:1
ALL SOLDER TAILS
0.05 \pm 0.05

PIN NO	PIN DEFINITION
C1	VCC
C2	RST
C3	CLK
C4	RESERVED
C5	GND
C6	VPP
C7	I/O
C8	RESERVED



RECOMMEND P.C.B. LAYOUT
TOLERANCE \pm 0.05

THESE AREA SHOULD BE FREE OF ANY CONDUCTIVE TRACES
SMT SOLDER AREA



MEASURE POINT:	GP
QUADRANT POINT	TP
TANGENCY POINT	BP
INTERSECTION POINT	IP
UNLESS OTHERWISE SPECIFIED, TOLERANCE:	
X	± 0.25
X.X	± 0.20
X.XX	± 0.15
ANGULAR	$\pm 3^{\circ}$

D-CHAIN
Dongguan D-CHAIN Precision Components Co., Ltd

DESIGN	Andy	DATE	2020.07.20	TITLE:	1.5H 6P IN SLM CARD防浪PIN
CHECKED		DATE			
APPROVED		DATE			
PART NO:	SM0602254150-63-03	REV:	02	SCALE:	1:1
DRAWING NO:		SIZE:	A4	SHEET:	1/1
				UNIT:	mm

X-ON Electronics

Largest Supplier of Electrical and Electronic Components

Click to view similar products for [Memory Card Connectors](#) category:

Click to view products by [D-CHAIN](#) manufacturer:

Other Similar products are found below :

[6407-249V-25273P](#) [6407-249V-25343P](#) [6426-201-21343](#) [69.920.0553.0](#) [MCR60A-98D-2.54DSA\(70\)](#) [809180410000000](#) [DM3AT-SF-PEJM5\(41\)](#) [IC11S-BUR-PNEJL\(71\)](#) [C70210M0083692](#) [252-0144-000](#) [2041353-2](#) [308-DS1P0811-192](#) [HM2P09PDR360N9LF](#) [10014744-011TLF](#) [11327-001](#) [11327-002](#) [NX1-32T-KT3K\(05\)](#) [95622-003LF](#) [84648-056HLF](#) [CCM03-3109 B LFT](#) [MS3116J10-6PW](#) [2309923-1](#) [61126-050CAHLF](#) [GTFP08432B1HR](#) [G85D1160022HHR](#) [SCE2MSDB76A121SN](#) [SCE2MSDZN76A121SN](#) [10014744-011ALF](#) [10014744-011LF](#) [10057542-1211FLF](#) [10067972-000LF](#) [10067972-050LF](#) [10122302-20110LF](#) [G85D1162022HHR](#) [TF-05A](#) [M6014-12](#) [XKNANO-1412](#) [SMN-304-ARP6](#) [MIS11-S1F1-2000-A](#) [SMN-308-ARSP7](#) [SMN-308-ACSP7](#) [K-DYX-008](#) [K-DYX-004](#) [HYCW126-TF18-150B](#) [C7024-03](#) [SMO-1030](#) [MCS-110-KT](#) [SIM-217](#) [SNO-1355-KT](#) [SMO-1025-P10](#)