

- NOTES:
- MATERIAL:
 - Housing: High Temperature Thermoplastic UL94V-0; Color Black.
 - Terminal: Copper Alloy.
 - Sheet: Stainless Steel
 - FINISH:
 - Terminal: Plated Gold on the Contact Area
Plating matte sn on Solder tails
Underplated Nickel Over all.

- SPECIALTY:
 - Rated current: 1.0A
 - Rated voltage: 30V
 - Contact Resistance: 50mΩ MAX
 - Insulation Resistance: 100MΩ MIN 100V DC
 - Dielectric withstanding voltage: 100V AC.
 - Solder ability: 245±5°C, 5±0.5s.
 - Durability: 5000 Cycles Min.
 - Operating condition: Temperature: -25°C~+85°C;

SECTION: A-A
SCALE: 1:1

PART No.	DIM A	DIM B
SA0602254180-30	1.80	0.38
SA0602254200-30	2.00	0.58

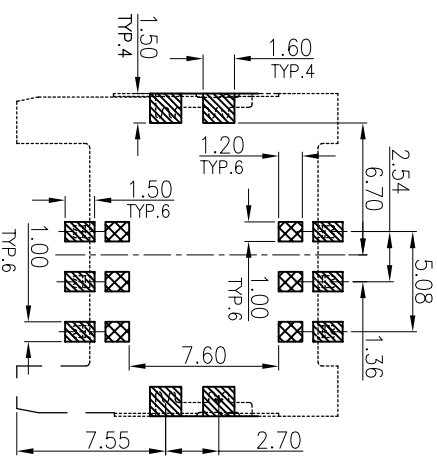
S: SIM CARD Series
A: Finished Product
No. of PINS: 06 (6PIN)
Standard Plating

S A 06 02 254 XXX-30

Running number
-180: Height 1.80mm
-200: Height 2.00mm
-254: Pitch 2.54mm

Ordering Information

RECOMMEND P.C.B. LAYOUT
TOLERANCE ±0.05



THESE AREA SHOULD BE FREE
OF ANY CONDUCTIVE TRACES
SMT SOLDER AREA

MEASURE POINT:
QUADRANT POINT (QP)
TANGENCY POINT (TP)
INTERSECTION POINT (IP)

UNLESS OTHERWISE SPECIFIED, TOLERANCE:
X ±0.25
XX ±0.20
X.XX ±0.15
ANGULAR ±3°

D-CHAIN
Dongguan D-CHAIN Precision Components CO., Ltd

DESIGN	Huang	DATE	2011.07.22	TITLE
CHECKED		DATE		6PIN SLIM CARD WITH LOGO
APPROVED		DATE		
PART NO.:	SA0602254XXX-30	REV:	03	SCALE: 3:1
DRAWING NO.:		SIZE:	A4	SHEET: 1/1

REV.	LOCKS.	DESCRIPTION	DRAW.	DATE.
01	NEW	INITIAL RELEASE.	Huang	2011.05.26
02	△	ECN20110053	Huang	2011.07.22
03	△	增加电性能规格说明	Long	2018.06.27

X-ON Electronics

Largest Supplier of Electrical and Electronic Components

Click to view similar products for [Memory Card Connectors](#) category:

Click to view products by [D-CHAIN](#) manufacturer:

Other Similar products are found below :

[6407-249V-25273P](#) [6407-249V-25343P](#) [6426-201-21343](#) [69.920.0553.0](#) [MCR60A-98D-2.54DSA\(70\)](#) [809180410000000](#) [DM3AT-SF-PEJM5\(41\)](#) [IC11S-BUR-PNEJL\(71\)](#) [C70210M0083692](#) [252-0144-000](#) [2041353-2](#) [308-DS1P0811-192](#) [HM2P09PDR360N9LF](#) [10014744-011TLF](#) [11327-001](#) [11327-002](#) [NX1-32T-KT3K\(05\)](#) [95622-003LF](#) [84648-056HLF](#) [CCM03-3109 B LFT](#) [MS3116J10-6PW](#) [2309923-1](#) [61126-050CAHLF](#) [GTFP08432B1HR](#) [G85D1160022HHR](#) [SCE2MSDB76A121SN](#) [SCE2MSDZN76A121SN](#) [10014744-011ALF](#) [10014744-011LF](#) [10057542-1211FLF](#) [10067972-000LF](#) [10067972-050LF](#) [10122302-20110LF](#) [G85D1162022HHR](#) [TF-05A](#) [M6014-12](#) [XKNANO-1412](#) [SMN-304-ARP6](#) [MIS11-S1F1-2000-A](#) [SMN-308-ARSP7](#) [SMN-308-ACSP7](#) [K-DYX-008](#) [K-DYX-004](#) [HYCW126-TF18-150B](#) [C7024-03](#) [SMO-1030](#) [MCS-110-KT](#) [SIM-217](#) [SNO-1355-KT](#) [SMO-1025-P10](#)