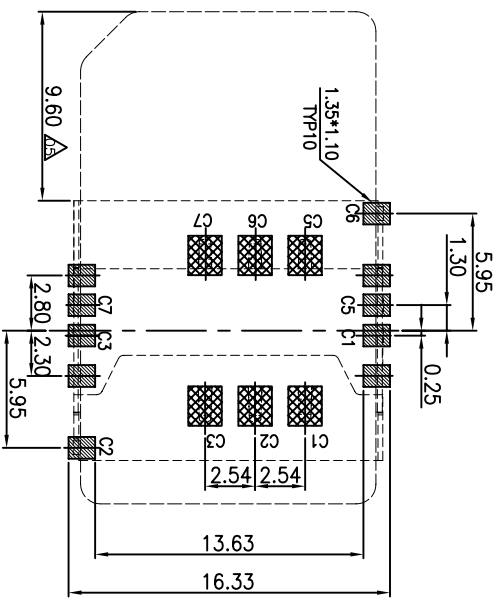
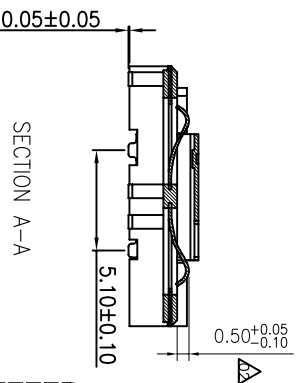
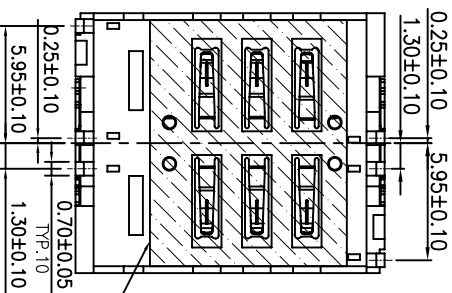
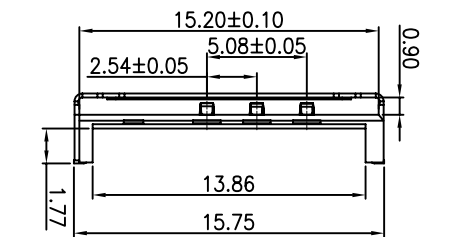
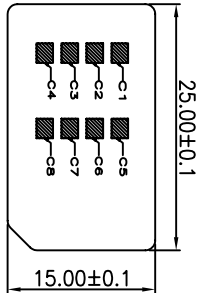


PIN No.	PIN NAME
C1	Supply Voltage Vcc
C2	Reset (RST)
C3	Clock (CLK)
C4	N/A
C5	Ground
C6	Programming Voltage Vpp
C7	I/O
C8	N/A



THESE AREA SHOULD BE FREE OF ANY CONDUCTIVE TRACES

SMT SOLDER AREA

RECOMMEND P.C.B. LAYOUT TOLERANCE ±0.05

REV.	LOCALS.	DESCRIPTION	DRAW.	DATE.
01	NEW	INITIAL RELEASE.	Mors	2011.03.30
02	△	ECN20110084	Mors	2011.11.18
03	△	ECN20110090	Huang	2011.12.06
04	△	ECN20110096	Huang	2011.12.23
05	△	ECN20120042	Huang	2012.10.26
06	△	modify pin Definition	Huang	2013.10.18

- NOTES:
- MATERIAL:
 - Housing:High Temperature Thermoplastic UL94V-0; Color Black.
 - Terminal:Copper Alloy.
 - Sheet:Stainless Steel
 - SPECIALTY:
 - Rated current:0.5A
 - Rated voltage:30V
 - Contact Resistance:50mΩ MAX
 - Insulation Resistance:100MΩ MIN 100V DC
 - Dielectric withstanding voltage: 100V AC.
 - Solder ability:245±5°C, 5±0.5s.
 - Durability:5000 Cycles Min.
 - Operating condition:Temperature: -30°C ~ +80°C; Humidity: 80% R.H MAX

Ordering Information

- S A 06 07 254 350-019-XX
- S:SIM CARD Series
 - A:Finished Product
 - No.of PINS:06(6PIN)
 - Standard Plating
 - 254:Pitch 2.54mm
 - 01:Without Mylar,Without Logo
 - 02:With Mylar,Without Logo
 - 03:Without Mylar,With Logo
 - 04:With Mylar,With Logo
 - Distinctive Code
 - 350:Height 3.50mm

MEASURE POINT:	(QP)
QUADRANT POINT	(TP)
TANGENCY POINT	(TP)
INTERSECTION POINT	(IP)
UNLESS OTHERWISE SPECIFIED,TOLERANCE:	
X	±0.25
Xx	±0.20
Xxx	±0.15
ANGULAR	±3°

D-CHAIN

SHEN ZHEN D-CHAIN TECHNOLOGY CO.,LTD

DESIGN	Huang	DATE	2012.10.26	TITLE:
CHECKED	Andy	DATE	2012.10.26	SIM-CARD 6PIN PH:2.54MM H:3.50mm SMT TYPE
APPROVED	Andy	DATE	2012.10.26	
PART NO:	SM0607254350-019-XX	REV:	06	SCALE: 3:1
DRAWING NO:	DOSM0607254350-019-01	SIZE:	A4	SHEET: 1/1

X-ON Electronics

Largest Supplier of Electrical and Electronic Components

Click to view similar products for [Memory Card Connectors](#) category:

Click to view products by [D-CHAIN](#) manufacturer:

Other Similar products are found below :

[6407-249V-25273P](#) [6407-249V-25343P](#) [6426-201-21343](#) [69.920.0553.0](#) [MCR60A-98D-2.54DSA\(70\)](#) [809180410000000](#) [DM3AT-SF-PEJM5\(41\)](#) [IC11S-BUR-PNEJL\(71\)](#) [C70210M0083692](#) [252-0144-000](#) [2041353-2](#) [308-DS1P0811-192](#) [HM2P09PDR360N9LF](#) [10014744-011TLF](#) [11327-001](#) [11327-002](#) [NX1-32T-KT3K\(05\)](#) [95622-003LF](#) [84648-056HLF](#) [CCM03-3109 B LFT](#) [MS3116J10-6PW](#) [2309923-1](#) [61126-050CAHLF](#) [GTFP08432B1HR](#) [G85D1160022HHR](#) [SCE2MSDB76A121SN](#) [SCE2MSDZN76A121SN](#) [10014744-011ALF](#) [10014744-011LF](#) [10057542-1211FLF](#) [10067972-000LF](#) [10067972-050LF](#) [10122302-20110LF](#) [G85D1162022HHR](#) [TF-05A](#) [M6014-12](#) [XKNANO-1412](#) [SMN-304-ARP6](#) [MIS11-S1F1-2000-A](#) [SMN-308-ARSP7](#) [SMN-308-ACSP7](#) [K-DYX-008](#) [K-DYX-004](#) [HYCW126-TF18-150B](#) [C7024-03](#) [SMO-1030](#) [MCS-110-KT](#) [SIM-217](#) [SNO-1355-KT](#) [SMO-1025-P10](#)