

REV	LOCAS	DESCRIPTION	DRAW	DATE
AO	NEW	PERLIMINARY	Andy	2017.06.14
A1		UPDATED	Andy	2017.09.30
A2	△	UPDATED	LIU	2019.12.10

NOTES:

1. MATERIAL:

1.1 Housing: High Temperature Thermoplastic
UL94V-0; Color Black.

1.2 Terminal: Copper Alloy

2. FINISH:

2.1 Terminal: Plated Gold on the Contact Area
and Solder Tails.

3. SPECIALITY:

3.1 Rated current: 1.0A

3.2 Rated voltage: 50V

3.3 Contact Resistance: 50mΩMAX

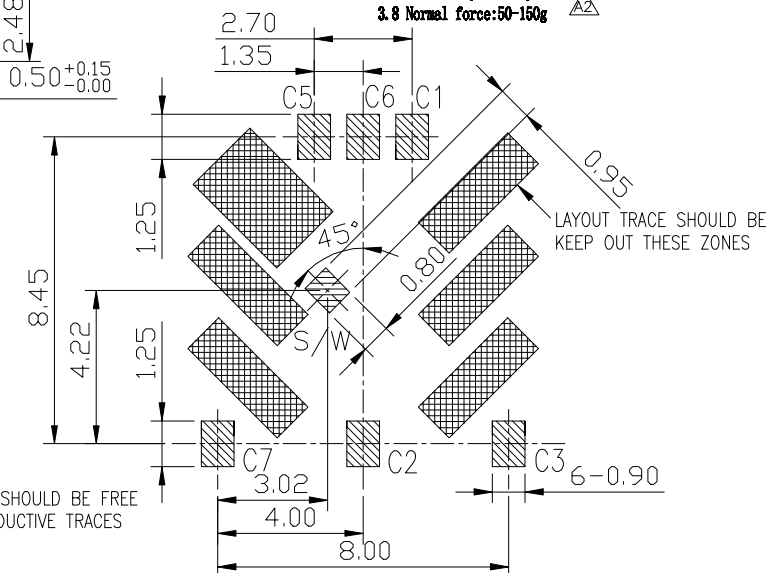
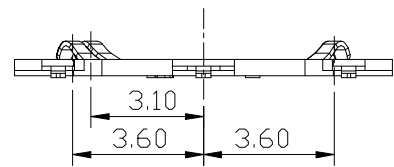
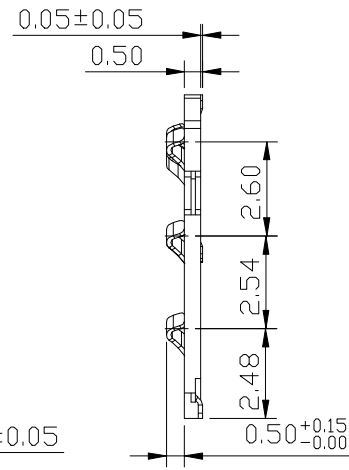
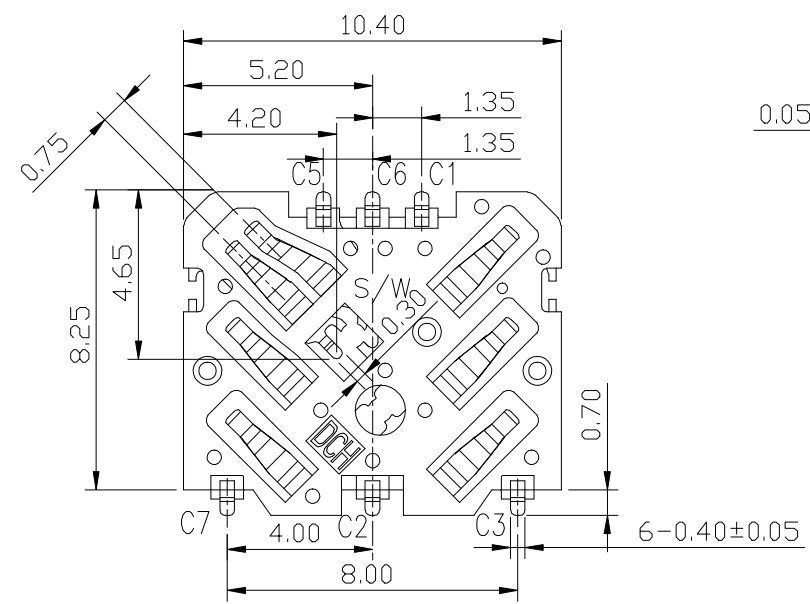
3.4 Insulation Resistance: 100MΩ MIN 250V DC

3.5 Dielectric withstanding voltage: 250V AC.

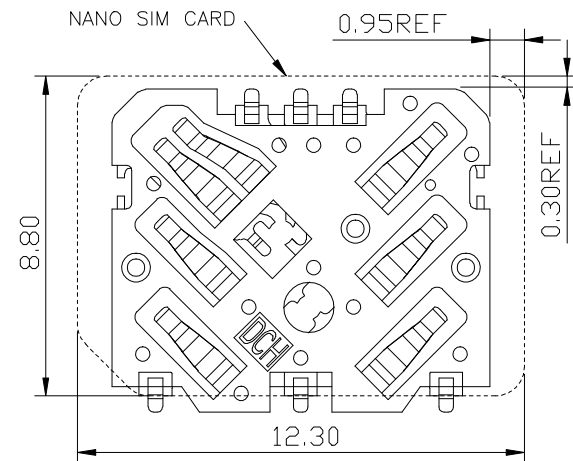
3.6 Solder ability: 245±5°C, 5±0.5s.

3.7 Durability: 5000 Cycles. △

3.8 Normal force: 50-150g △



PIN NO	PIN NAME
C1	VCC
C2	RST
C3	CLK
C5	GND
C6	VPP
C7	I/O
S/W	Switch Pin



THESE AREA SHOULD BE FREE OF ANY CONDUCTIVE TRACES
 SMT SOLDER AREA

RECOMMENDED PCB LAYOUT TOLERANCE: ±0.05

MEASURE POINT: QUADRANT POINT (QP) TANGENCY POINT (TP) INTERSECTION POINT (IP)	 DONGGUAN D-CHAIN TECHNOLOGY CO.,LTD		DESIGN	Andy	DATE	2017.06.14	TITLE:	0.5H NANO SIM CARD WITH SWITCH PIN				
UNLESS OTHERWISE SPECIFIED, TOLERANCE:			CHECKED		DATE			REV:	A2	SCALE:	1:1	UNIT:
X	±0.25	APPROVED		DATE		PART No.	SA0701254050-131		SIZE:	A4	SHEET:	1/1
X,x	±0.20	DRAWING No.										
X,xx	±0.10											
ANGULAR	±3'											

X-ON Electronics

Largest Supplier of Electrical and Electronic Components

Click to view similar products for [Memory Card Connectors](#) category:

Click to view products by [D-CHAIN](#) manufacturer:

Other Similar products are found below :

[6407-249V-25273P](#) [6407-249V-25343P](#) [6426-201-21343](#) [69.920.0553.0](#) [MCR60A-98D-2.54DSA\(70\)](#) [809180410000000](#) [DM3AT-SF-PEJM5\(41\)](#) [IC11S-BUR-PNEJL\(71\)](#) [C70210M0083692](#) [252-0144-000](#) [2041353-2](#) [308-DS1P0811-192](#) [HM2P09PDR360N9LF](#) [10014744-011TLF](#) [11327-001](#) [11327-002](#) [NX1-32T-KT3K\(05\)](#) [95622-003LF](#) [84648-056HLF](#) [CCM03-3109 B LFT](#) [MS3116J10-6PW](#) [2309923-1](#) [61126-050CAHLF](#) [GTFP08432B1HR](#) [G85D1160022HHR](#) [SCE2MSDB76A121SN](#) [SCE2MSDZN76A121SN](#) [10014744-011ALF](#) [10014744-011LF](#) [10057542-1211FLF](#) [10067972-000LF](#) [10067972-050LF](#) [10122302-20110LF](#) [G85D1162022HHR](#) [TF-05A](#) [M6014-12](#) [XKNANO-1412](#) [SMN-304-ARP6](#) [MIS11-S1F1-2000-A](#) [SMN-308-ARSP7](#) [SMN-308-ACSP7](#) [K-DYX-008](#) [K-DYX-004](#) [HYCW126-TF18-150B](#) [C7024-03](#) [SMO-1030](#) [MCS-110-KT](#) [SIM-217](#) [SNO-1355-KT](#) [SMO-1025-P10](#)