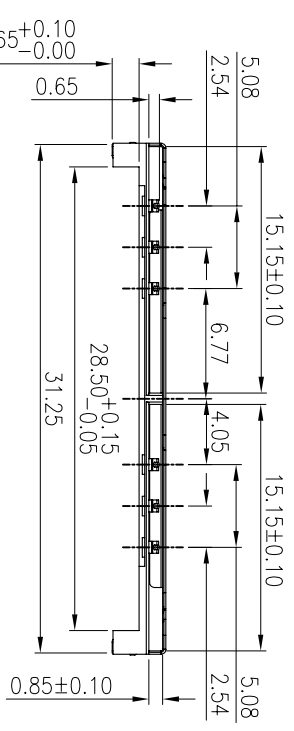
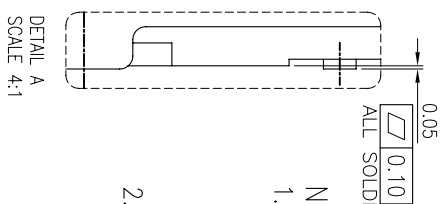
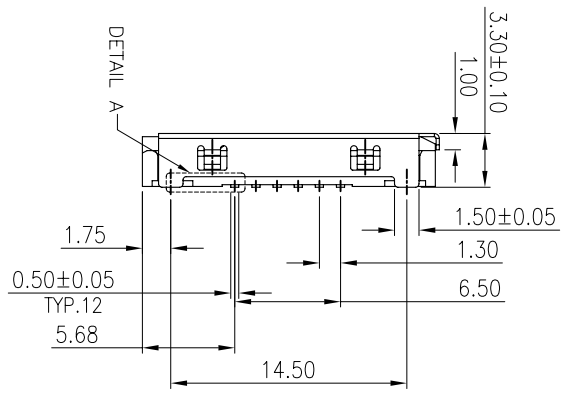
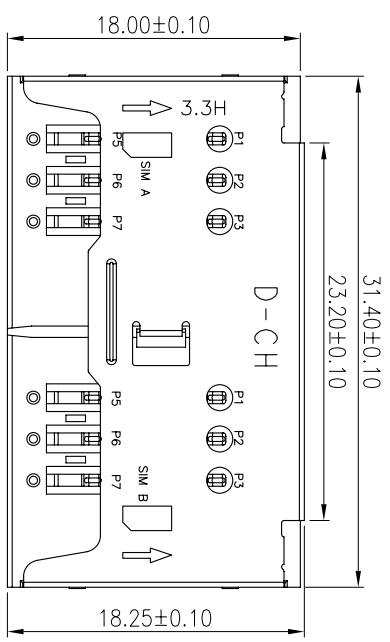
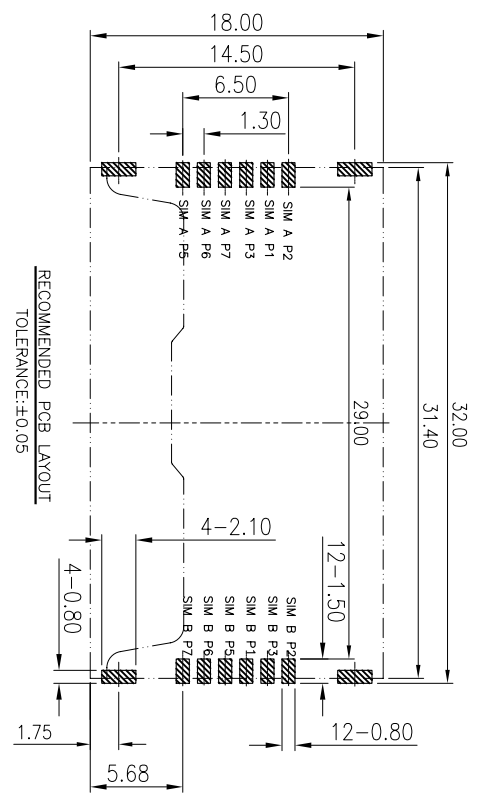


REV	LOCAS	DESCRIPTION	DRAW	DATE
01	NEW	INITIAL RELEASE	Wong	2013.06.28



Pin NO	Pin Definition
Pin 1	vcc:pwr signal and GND
Pin 2	RST: Reset signal
Pin 3	CLK:Claking signal reserved
Pin 4	GND:PWR signal and GND
Pin 5	vpp:programming voltage
Pin 6	I/O:serial data input/output reserved
Pin 7	
Pin 8	



RECOMMENDED PCB LAYOUT  
TOLERANCE:±0.05

- NOTES:
- MATERIAL:
    - Housing: High Temperature Thermoplastic UL94V-0,Color:Black
    - Terminal:Copper Alloy,T=0.15mm
    - Shell:Stainless Steel,T=0.20mm
  - FINISH:
    - Terminal:Gold flash plating on contact area, 80u"Matte Tin on the solder tails, underplated 50u"nickel over all.
    - Shell:Gold flash plating on the solder tails, underplated 50u"nickel over all.
  - SPECIALTY:
    - Rated Current:0.5A
    - Rated Voltage:30V
    - Contact Resistance:50mΩ Max
    - Insulation Resistance:100MΩ Min 100V DC
    - Dielectric Withstanding Voltage:100V AC
    - Solder Ability:245±5°C;5±0.5s
    - Durability:5000 cycles
    - Operating Condition:Temperature:-30°C~+80°C; Humidity:80%RH Max

S:SIM Card Series  
A:Finished Product  
No. of PINS:12(12PIN)  
Plating Number \_\_\_\_\_  
Running Number \_\_\_\_\_  
330:Height 3.30mm  
254:Pitch 2.54mm

MEASURE POINT: (Ⓟ) QUADRANT POINT (TP) TANGENCY POINT (TP) INTERSECTION POINT (TP)

UNLESS OTHERWISE SPECIFIED, TOLERANCE: X ±0.25 XX ±0.20 XXX ±0.10 ANSULAR ±.5

**D-CHAIN**  
SHEN ZHEN D-CHAIN TECHNOLOGY CO., LTD

DESIGN	Wong	DATE	2013.06.28	TITLE:
CHECKED	Andy L	DATE	2013.06.28	3. 30H DUAL SIM CARD TYPE2
APPROVED	Andy L	DATE	2013.06.28	
PART No.	SA1206254330-51-01	REV	01	SCALE: 2:1
DRAWING No.	DOSA1206254330-51-01	SIZE	A4	SHEET: 1/1
		UNIT:	mm	

## X-ON Electronics

Largest Supplier of Electrical and Electronic Components

*Click to view similar products for [Memory Card Connectors](#) category:*

*Click to view products by [D-CHAIN](#) manufacturer:*

Other Similar products are found below :

[6407-249V-25273P](#) [6407-249V-25343P](#) [6426-201-21343](#) [69.920.0553.0](#) [MCR60A-98D-2.54DSA\(70\)](#) [809180410000000](#) [DM3AT-SF-PEJM5\(41\)](#) [IC11S-BUR-PNEJL\(71\)](#) [C70210M0083692](#) [252-0144-000](#) [2041353-2](#) [308-DS1P0811-192](#) [HM2P09PDR360N9LF](#) [10014744-011TLF](#) [11327-001](#) [11327-002](#) [NX1-32T-KT3K\(05\)](#) [95622-003LF](#) [84648-056HLF](#) [CCM03-3109 B LFT](#) [MS3116J10-6PW](#) [2309923-1](#) [61126-050CAHLF](#) [GTFP08432B1HR](#) [G85D1160022HHR](#) [SCE2MSDB76A121SN](#) [SCE2MSDZN76A121SN](#) [10014744-011ALF](#) [10014744-011LF](#) [10057542-1211FLF](#) [10067972-000LF](#) [10067972-050LF](#) [10122302-20110LF](#) [G85D1162022HHR](#) [TF-05A](#) [M6014-12](#) [XKNANO-1412](#) [SMN-304-ARP6](#) [MIS11-S1F1-2000-A](#) [SMN-308-ARSP7](#) [SMN-308-ACSP7](#) [K-DYX-008](#) [K-DYX-004](#) [HYCW126-TF18-150B](#) [C7024-03](#) [SMO-1030](#) [MCS-110-KT](#) [SIM-217](#) [SNO-1355-KT](#) [SMO-1025-P10](#)