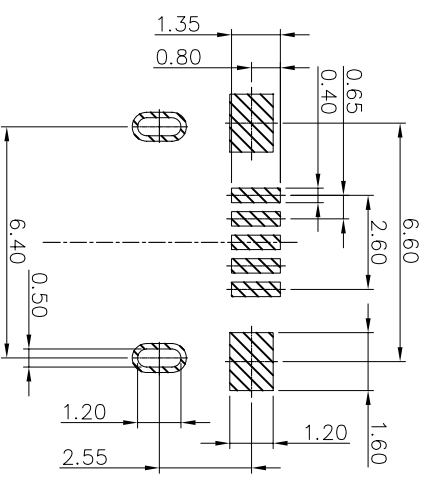
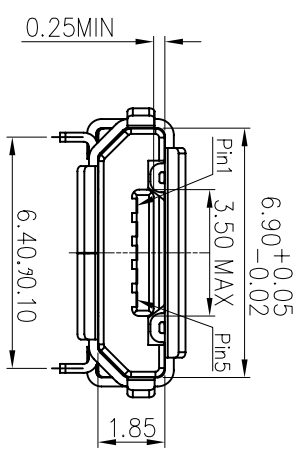
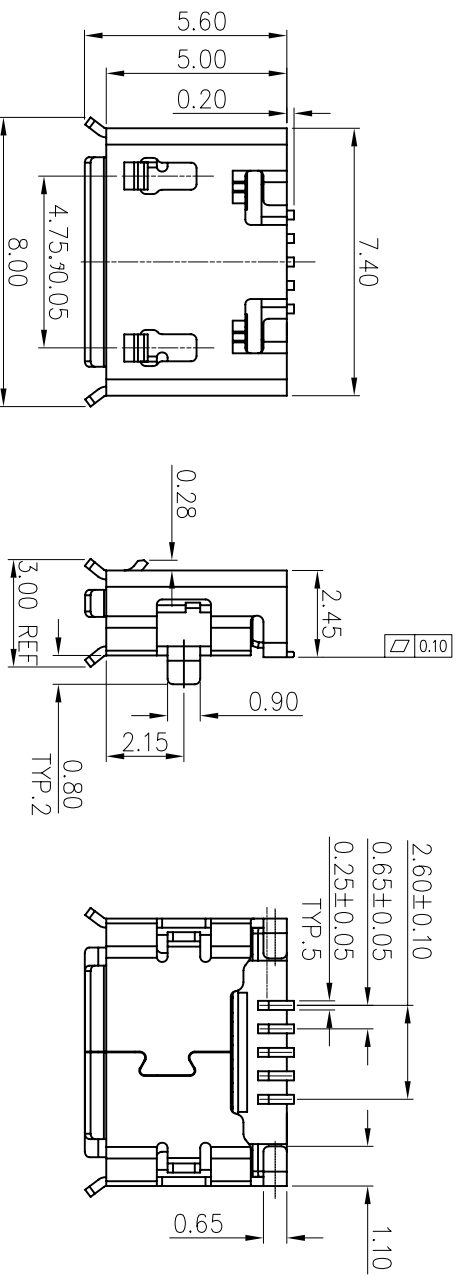
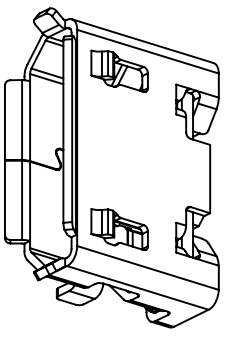


REV	LOCAS	DESCRIPTION	DRAW	DATE
01	NEW	INITIAL RELEASE	Huang	2012.05.15
02		EON20130015	Wang	2013.10.10
03		EON20140037	Wang	2014.05.04
04		UPDATED	Andy	2017.06.23



RECOMMENDED PCB LAYOUT
TOLERANCE: ±0.05



- NOTES:
- MATERIAL:
 - HOUSING: THERMOPLASTIC UL 94V-0; COLOR: BLACK.
 - TERMINAL: COPPER ALLOY, T=0.15mm.
 - SHELL: STAINLESS STEEL, T=0.25mm.
 - FINISH:
 - TERMINAL: GOLD FLASH ON CONTACT AREA, GOLD FLASH ON SOLDER TAILS, NICKEL 50u"Min UNDERPLATING OVER ALL.
 - SHELL: PLATED MATTE TIN OVER ALL, NICKEL 50u"Min UNDERPLATING OVER ALL.
 - SPECIFICATIONS:
 - VOLTAGE RATING: 30VAC;
 - CURRENT RATING: 1.0A;
 - INSULATION RESISTANCE: 100MEG.OHM MIN.
 - CONTACT RESISTANCE: 50 MILL.OHM MAX.
 - DIELECTRIC WITHSTANDING VOLTAGE: 100V AC.
 - SOLDER ABILITY: 245±5°C, 5±0.5s.
 - DURABILITY: 5000 CYCLES Min.
 - OPERATION CONDITION: TEMPERATURE -30°C ~ +80°C; HUMIDITY 80% R.H MAX

MEASURE POINT:

QUADRANT POINT	(QP)
TANGENCY POINT	(TP)
INTERSECTION POINT	(IP)

UNLESS OTHERWISE SPECIFIED, TOLERANCE:

X	±0.25
X.x	±0.20
X.xx	±0.15
ANGULAR	±3'

		SHEN ZHEN D-CHAIN TECHNOLOGY CO., LTD			
		DESIGN	Huang	DATE	2012.05.15
CHECKED		DATE		TITLE:	MICRO USB SPIN PH: 0.65mm H: 2.50mm 25MT+20P TYPE WITHOUT POST
APPROVED		DATE		REV:	04
PART NO:	UA0507065250-037-03	REV:	04	SCALE:	5:1
DRAWING NO:		SIZE:	A4	SHEET:	1/1

X-ON Electronics

Largest Supplier of Electrical and Electronic Components

Click to view similar products for [USB Connectors](#) category:

Click to view products by [D-CHAIN](#) manufacturer:

Other Similar products are found below :

[950](#) [A-USB A-LP-SMT-C](#) [A-USB B-TOP-C](#) [MUSBD11135](#) [17-200721](#) [217450-1](#) [KMBVX-TH-5S-B30](#) [KUSBX-AS2N-W](#) [KUSBX-SMT2AP1S-W30](#) [935](#) [957](#) [30-498-6](#) [SK-60A-2](#) [1734082-1](#) [30-470](#) [30-489](#) [30-541](#) [MIKROE-1451](#) [USBFTVSCCG](#) [1-1734084-2](#) [10135326-001LF](#) [4198](#) [USB-A-D-VT](#) [USB-A-S-RA-TSMT](#) [1310-1023-02](#) [690-024-633-031](#) [UB-20PMFP-LC7001](#) [17-200011](#) [UB-20AFMM-LL7A01](#) [1040870124](#) [CAP-WCCMLPB1](#) [2274475-3](#) [UB-20BMFA-SL8001](#) [914-614A2025S10200](#) [ZX40-B-5S-1500-STDA\(30\)](#) [GSB3116344HR](#) [USB3FTV2SAZNF459](#) [U221-041N-1WVS62-F5D](#) [HYCW153-USBD05-500B](#) [HYCW219-USBD05-075B](#) [HYCW148-USBD05-117B](#) [HYCW149-USBD05-740B](#) [HYCW204-USBD05-108B](#) [HYCW214-USBA04-113B](#) [HYCW213-USBA04-113B](#) [UB-20AMFM-SL7A01](#) [KMMX-BSMT35S-1-B30TR](#) [2345986-1](#) [10082141-N340LF](#) [10117836-011LF](#)