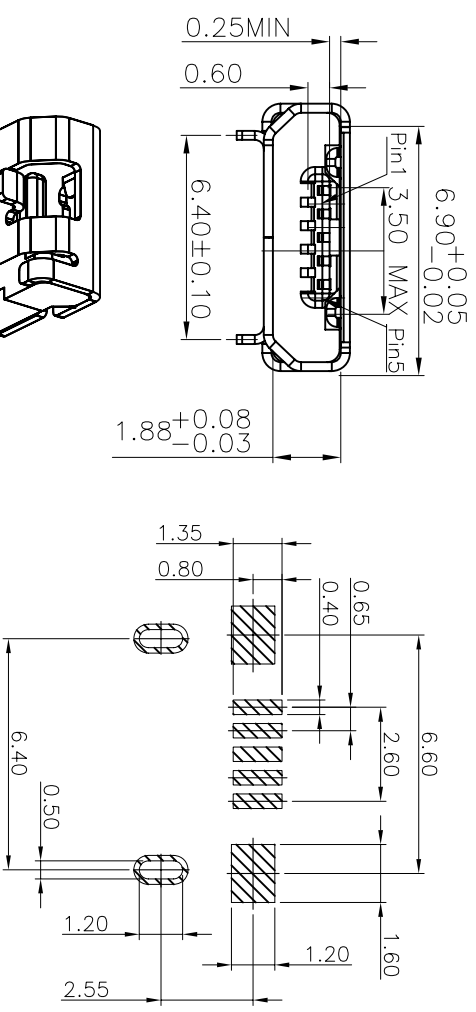
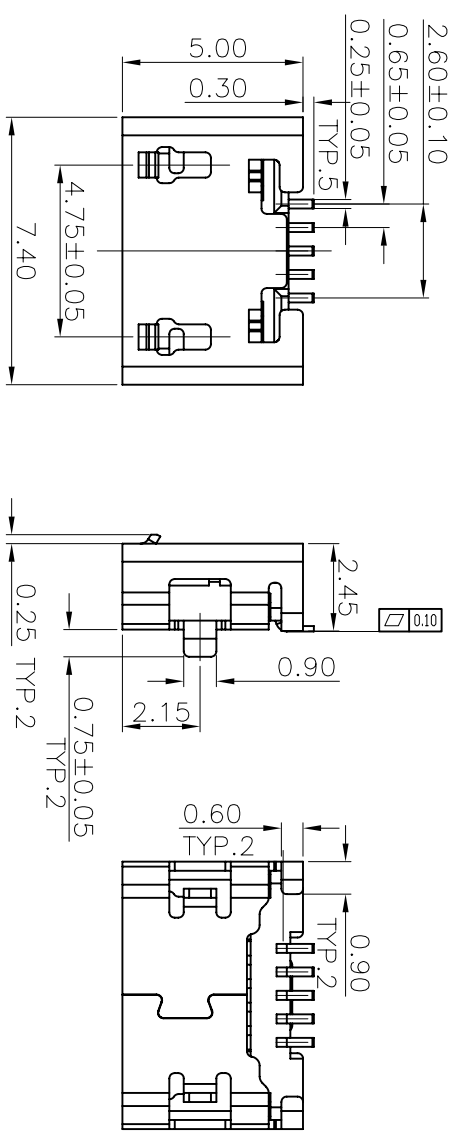


REV.	LOCAS.	DESCRIPTION	DRAW.	DATE.
01	NEW	INITIAL RELEASE.	Wong	2013.05.10
02		ECN20140037	Wong	2014.05.04



RECOMMENDED PCB LAYOUT  
TOLERANCE:±0.05

- NOTES:
- MATERIAL:
    - Housing:High Temperature Thermoplastic UL94V-0; Color Black.
    - Terminal:Copper Alloy.
    - Shell:Stainless Steel.
  - SPECIALITY:
    - Rated current:0.5A
    - Rated voltage:30V
    - Contact Resistance:50mΩ MAX
    - Insulation Resistance:100MΩ MIN 100V DC
    - Dielectric withstanding voltage: 100V AC.
    - Solder ability:235±5℃, 5±0.5s.
    - Durability:5000 Cycles Min.
    - Operating condition:Temperature-30℃ ~ +80℃; Humidity 80% R.H MAX

Ordering Information

U:USB Series  
A:Finished Product  
No.of PINS:05(5PIN)  
Plating Number: \_\_\_\_\_

Running number:  
250:Height 2.50mm  
065:Pitch 0.65mm

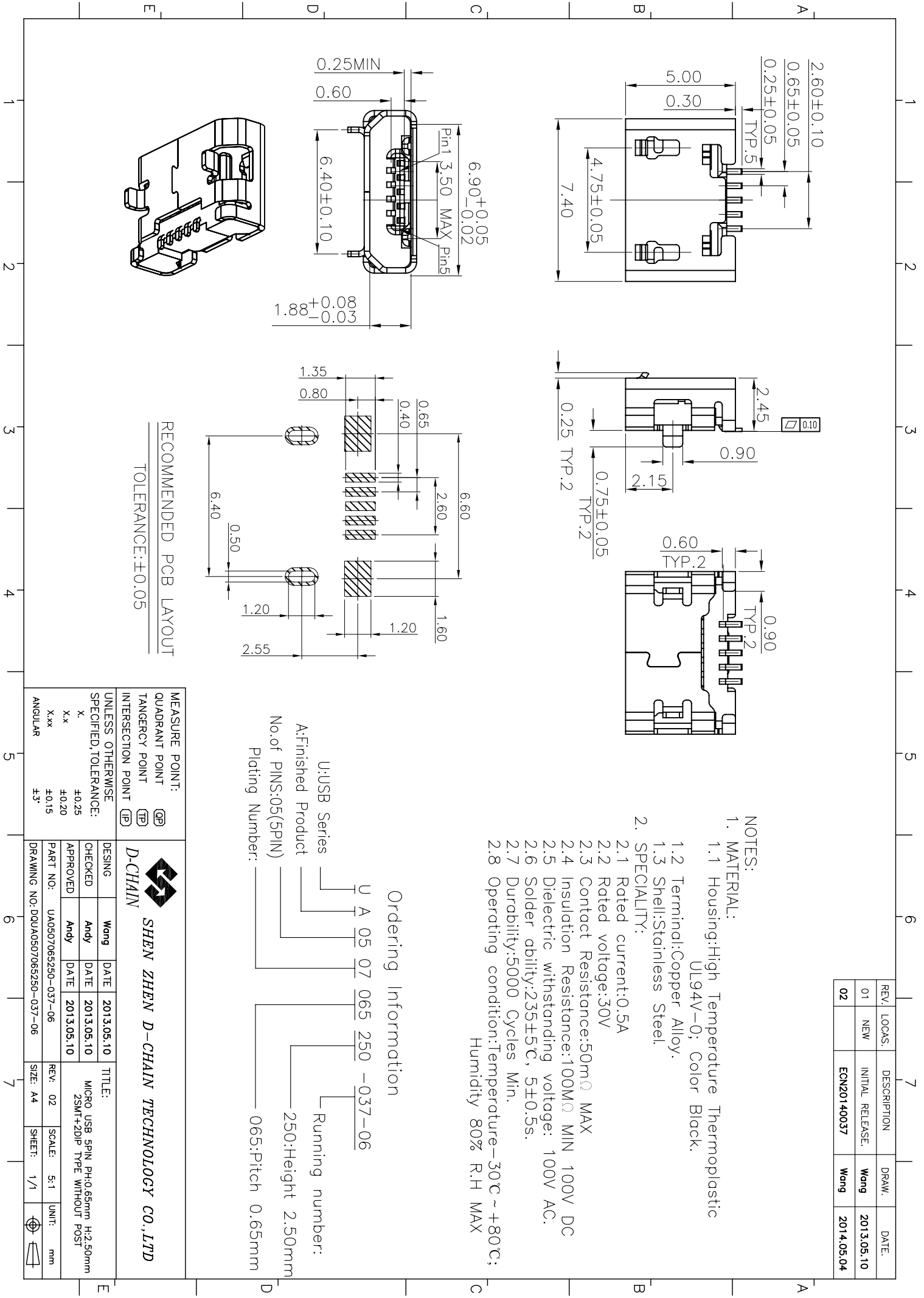
U A 05 07 065 250 -037-06

**SHEN ZHEN D-CHAIN TECHNOLOGY CO.,LTD**

D-CHAIN

DESIGN	Wong	DATE	2013.05.10	TITLE:	MICRO USB SPIN PH:0.65mm H:2.50mm 2SMT+20IP TYPE WITHOUT POST
CHECKED	Andy	DATE	2013.05.10	REV:	02
APPROVED	Andy	DATE	2013.05.10	SCALE:	5:1
PART NO:	UA0507065250-037-06	REV:	02	SHEET:	1/1
DRAWING NO:	DQUA0507065250-037-06	SIZE:	A4	UNIT:	mm

MEASURE POINT:  
 QUADRANT POINT (QP)  
 TANGENCY POINT (TP)  
 INTERSECTION POINT (IP)  
 UNLESS OTHERWISE SPECIFIED, TOLERANCE:  
 X ±0.25  
 X.X ±0.20  
 X.XX ±0.15  
 ANGULAR ±3°



## X-ON Electronics

Largest Supplier of Electrical and Electronic Components

*Click to view similar products for [USB Connectors](#) category:*

*Click to view products by [D-CHAIN](#) manufacturer:*

Other Similar products are found below :

[950](#) [A-USB A-LP-SMT-C](#) [A-USB B-TOP-C](#) [MUSBD11135](#) [17-200721](#) [217450-1](#) [KMBVX-TH-5S-B30](#) [KUSBX-AS2N-W](#) [KUSBX-SMT2AP1S-W30](#) [935](#) [957](#) [30-498-6](#) [SK-60A-2](#) [1734082-1](#) [30-470](#) [30-489](#) [30-541](#) [MIKROE-1451](#) [USBFTVSCCG](#) [1-1734084-2](#) [10135326-001LF](#) [4198](#) [USB-A-D-VT](#) [USB-A-S-RA-TSMT](#) [1310-1023-02](#) [690-024-633-031](#) [UB-20PMFP-LC7001](#) [17-200011](#) [UB-20AFMM-LL7A01](#) [1040870124](#) [CAP-WCCMLPB1](#) [2274475-3](#) [UB-20BMFA-SL8001](#) [914-614A2025S10200](#) [ZX40-B-5S-1500-STDA\(30\)](#) [GSB3116344HR](#) [USB3FTV2SAZNF459](#) [U221-041N-1WVS62-F5D](#) [HYCW153-USBD05-500B](#) [HYCW219-USBD05-075B](#) [HYCW148-USBD05-117B](#) [HYCW149-USBD05-740B](#) [HYCW204-USBD05-108B](#) [HYCW214-USBA04-113B](#) [HYCW213-USBA04-113B](#) [UB-20AMFM-SL7A01](#) [KMMX-BSMT35S-1-B30TR](#) [2345986-1](#) [10082141-N340LF](#) [10117836-011LF](#)