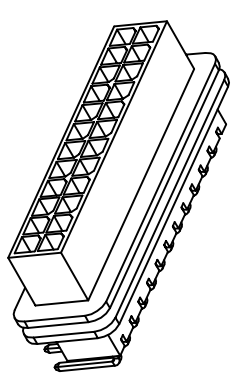
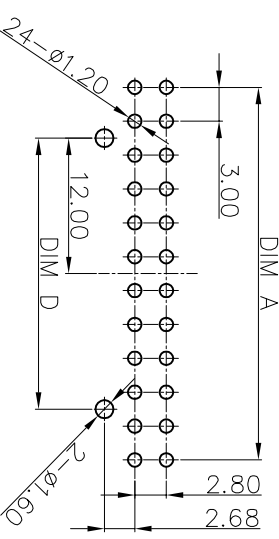
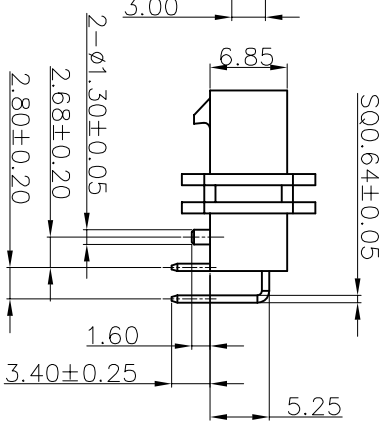
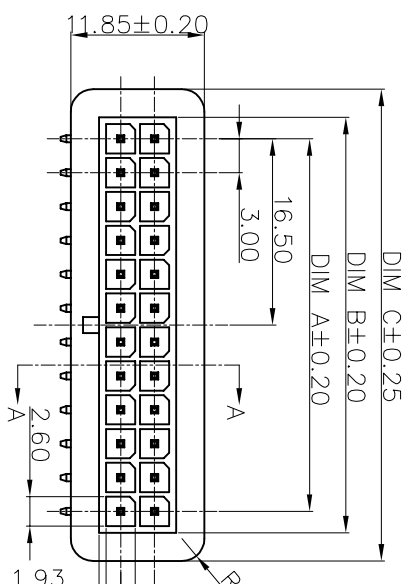
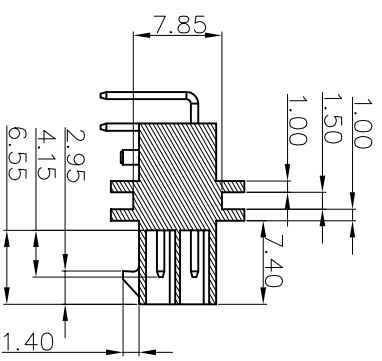
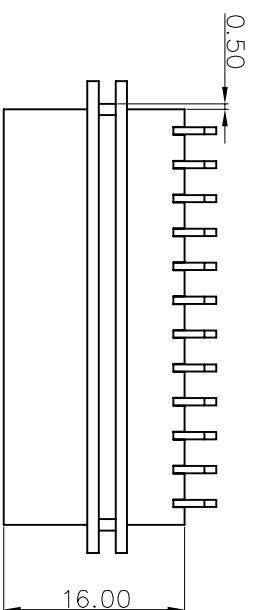


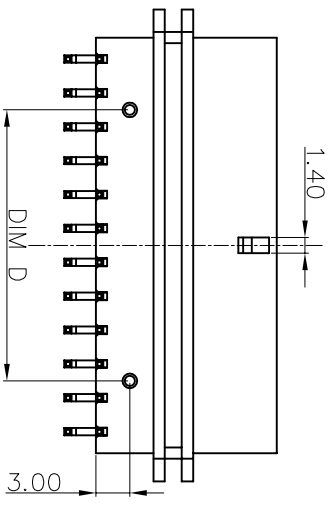
REV	LOCALS	DESCRIPTION	DRAW	DATE
A0	NEW	PERLIMINARY	Andy	2021.11.18
A1	UPDATED		Andy	2021.12.13

- NOTES:
- MATERIAL:
 - Housing: High Temperature Thermoplastic UL94V-0; Color Black.
 - Terminal: Copper Alloy.
 - FINISH:
 - Terminal: Plated Tin 80U" Min Over All. Underplated Nickel 50U" Over all.
 - SPECIALITY:
 - Rated current: 5A
 - Rated voltage: 250VAC/DC
 - Contact Resistance: 10mΩ MAX
 - Insulation Resistance: 1000MΩ MIN 100V DC
 - Dielectric withstanding voltage: 1500VAC/Minute.
 - Salt Spray Test: 24Hours.



RECOMMEND PCB LAYOUT
TOLERANCE: ±0.05

PART NO	Dimensions				
	Pin	A	B	C	D
WA0412300685-21	2*2P	3.00	6.80	11.80	3.00
WA0612300685-21	2*3P	6.00	9.80	14.80	3.00
WA0812300685-21	2*4P	9.00	12.80	17.80	6.00
WA1012300685-21	2*5P	12.00	15.80	20.80	6.00
WA1212300685-21	2*6P	15.00	18.80	23.80	12.00
WA1412300685-21	2*7P	18.00	21.80	26.80	12.00
WA1612300685-21	2*8P	21.00	24.80	29.80	18.00
WA1812300685-21	2*9P	24.00	27.80	32.80	18.00
WA2012300685-21	2*10P	27.00	30.80	35.80	24.00
WA2212300685-21	2*11P	30.00	33.80	38.80	24.00
WA2412300685-21	2*12P	33.00	36.80	41.80	24.00



MEASURE POINT:	Ⓟ
QUADRANT POINT	Ⓟ
TANGENCY POINT	Ⓟ
INTERSECTION POINT	Ⓟ
UNLESS OTHERWISE SPECIFIED, TOLERANCE:	
X	±0.35
X.x	±0.25
X.xx	±0.15
ANGULAR	±3'



Dongguan D-CHAIN Precision Components Co., Ltd

DESIGN	Andy	DATE	2021.11.18	TITLE:	6.85H 3.0PITCH WAFER DIP TYPE
CHECKED		DATE			
APPROVED		DATE			
PART NO:	WA**12300685-21	REV:	A1	SCALE:	1:1
DRAWING NO:		SIZE:	A4	SHEET:	1/1

X-ON Electronics

Largest Supplier of Electrical and Electronic Components

Click to view similar products for [Headers & Wire Housings](#) category:

Click to view products by [D-CHAIN](#) manufacturer:

Other Similar products are found below :

[0015917161](#) [0022155065](#) [57102-F02-18ULF](#) [58102-G61-06LF](#) [582553-1](#) [01.001.5753.1](#) [0050291907](#) [02.125.8002.8](#) [609-3404](#) [61062-3](#)
[CSU011177004](#) [622-0430](#) [622-3653LF](#) [63453-116](#) [636-1030](#) [636-1427](#) [636-3427](#) [636-4007](#) [641938-9](#) [65495-038](#) [65692-001LF](#) [65781-018](#)
[65781-047](#) [65817-010LF](#) [65817-015LF](#) [67095-007LF](#) [67601157](#) [68631-112](#) [699319-000](#) [70.362.1628.0](#) [70-4210](#) [70-4226B](#) [70-4853B](#) [707-](#)
[5028](#) [71.350.2428.0](#) [733-134](#) [733-162](#) [760-3052](#) [MHR-64-VUAL](#) [80.063.4001.1](#) [800-90-001-10-001000](#) [801-43-002-10-013000](#)
[801-43-006-10-002000](#) [803-43-024-10-001000](#) [803-93-012-10-001000](#) [8-1437020-4](#) [819-22-004-30-001101](#) [820-22-006-30-001101](#)
[820-22-008-30-001101](#) [821-22-002-10-001101](#)