

# 承認書

## SPECIFICATION FOR APPROVAL

Customer Name: 2144

Description Part No.: \_\_\_\_\_

Customer Part No.: \_\_\_\_\_

Sample No.: \_\_\_\_\_

DDY Part No.: SFE252010S-

DRAWING		
MADE	CHECKED	APPROVED
王海玲	赵万虎	肖中华
DATE: 2023年4月22日		

CUSTOMER APPROVE



惠州市德立电子有限公司

HUI ZHOU DE LI ELECTRONICS CO., LTD

廣東省博羅縣洲際工業園梅園三路

NO.3 MEI YUAN ROAD,ZHOU JI INDUSTRIAL AREA,BOLUO COUNTY GUANGDONG

電話：15970768093 13640935893

傳真：0752-6207969

郵編：516100

Http: [www.ddycoils.com](http://www.ddycoils.com)





## 1. Scope

This specification applies to the SFE252010 Series of wire wound SMD power inductor.

## 2. PRODUCT IDENTIFICATION

SFE 252010 - 1R5 □ - □  
(1) (2) (3) (4) (5)

(1) .Series name (产品品名) (2) .Dimensions (产品尺寸)

(3) .Inductance value (电感值) (4) .Tolerance (误差值)

1R5: 1.5 $\mu$ H 221: 220 $\mu$ H

M:  $\pm 20\%$ ; N:  $\pm 30\%$

(5) .Environmental status (环保状态)

LF- Lead free; HF-Halogen free.

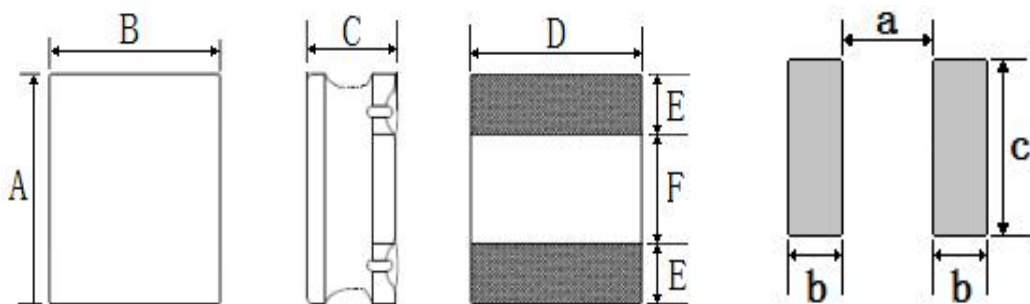
FP-Free red phosphor.

## 3. Electrical Characteristics

Please refer to Item 5.

- 1). Operating temperature range (individual chip without packing):  $-40^{\circ}\text{C} \sim +125^{\circ}\text{C}$  .
- 2). Storage temperature range (packaging conditions):  $-40^{\circ}\text{C} \sim +85^{\circ}\text{C}$  and RH 70% (Max.).
- 3). Rating DC current: Temperature rise( $\Delta T$ ) is  $40^{\circ}\text{C}$  approximately at  $I_{rms}$ .
- 4). Saturation DC current: Inductance drop approximately 30% of  $L_0$  at  $I_{sat}$ .

## 4. Shape and Dimensions (Unit:mm)



Recommended Land Pattern

NO	Series	A	B	C	D	E	F	a Typ.	b Typ.	c Typ.
1	SFE252010	2.5 $\pm 0.3$	2.0 $\pm 0.3$	1.0 Max.	2.0 $\pm 0.2$	0.75 Typ.	1.0 Typ.	0.80	0.90	2.2



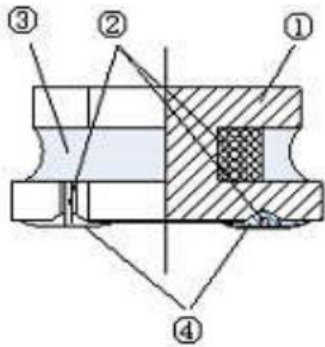
### 5. Electrical Characteristics

NO	DDY CODE	Part Number	Inductance	DC Resistance		Isat(A)		Irms(A)		Marking
			100KHz/1.0V	Max.	Typ.	Max.	Typ.	Max.	Typ.	
		Units	(uH)	Ω	Ω	A	A	A	A	
1		<input type="checkbox"/> SFE252010S-R24N-HF	0.24±30%	0.034	0.026	3.60	4.40	2.75	3.00	N/A
2		<input type="checkbox"/> SFE252010S-R33N-HF	0.33±30%	0.040	0.033	3.60	4.30	2.45	2.70	N/A
3		<input type="checkbox"/> SFE252010S-R47N-HF	0.47±30%	0.044	0.035	2.80	3.20	2.40	2.60	N/A
4		<input type="checkbox"/> SFE252010S-R56N-HF	0.56±30%	0.052	0.044	2.80	3.10	2.30	2.50	N/A
5		<input type="checkbox"/> SFE252010S-R68N-HF	0.68±30%	0.062	0.051	2.75	3.10	2.10	2.35	N/A
6		<input type="checkbox"/> SFE252010S-1R0N-HF	1.0±30%	0.080	0.066	2.05	2.50	1.85	2.05	N/A
7		<input type="checkbox"/> SFE252010S-1R5N-HF	1.5±30%	0.108	0.085	1.70	2.05	1.55	1.70	N/A
8		<input type="checkbox"/> SFE252010S-1R8N-HF	1.8±30%	0.150	0.126	1.70	2.05	1.55	1.70	N/A
9		<input type="checkbox"/> SFE252010S-2R2M-HF	2.2±20%	0.150	0.126	1.60	2.00	1.50	1.70	N/A
10		<input type="checkbox"/> SFE252010S-3R3M-HF	3.3±20%	0.228	0.201	1.10	1.35	1.05	1.20	N/A
11		<input type="checkbox"/> SFE252010S-4R7M-HF	4.7±20%	0.330	0.248	1.00	1.15	0.90	1.00	N/A
12		<input type="checkbox"/> SFE252010S-5R6M-HF	5.6±20%	0.480	0.310	0.90	1.05	0.80	0.90	N/A
13		<input type="checkbox"/> SFE252010S-6R8M-HF	6.8±20%	0.480	0.438	0.80	0.95	0.72	0.80	N/A
14		<input type="checkbox"/> SFE252010S-8R2M-HF	8.2±20%	0.572	0.440	0.73	0.85	0.69	0.78	N/A
15		<input type="checkbox"/> SFE252010S-100M-HF	10±20%	0.600	0.500	0.65	0.75	0.65	0.75	N/A
16		<input type="checkbox"/> SFE252010S-120M-HF	12±20%	0.850	0.700	0.58	0.62	0.58	0.62	N/A
17		<input type="checkbox"/> SFE252010S-150M-HF	15±20%	1.050	0.710	0.50	0.55	0.45	0.50	N/A
18		<input type="checkbox"/> SFE252010S-220M-HF	22±20%	1.344	1.233	0.40	0.45	0.32	0.38	N/A

※Design as Customer's Requested Specifications. (可按顾客的特殊需求设计)



### 6. Structure (The structure of product.)



NO	Components	Material
①	Core	Ni-Zn Ferrite
②	Wire	Polyurethane system enameled copper wire
③	Magnetic Glue	Epoxy resin and magnetic powder
④	Plating	AgNiSn or FeNiCu + Sn Alloy

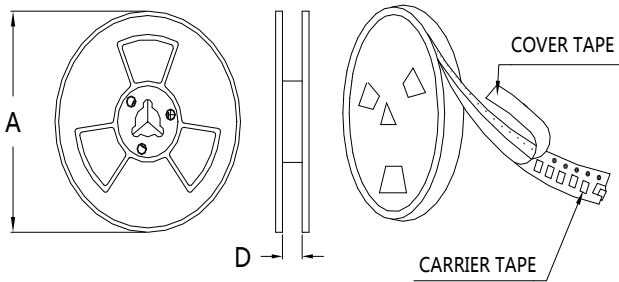
### 7. PACKAGING(unit: mm)

1.包装类型：编带装

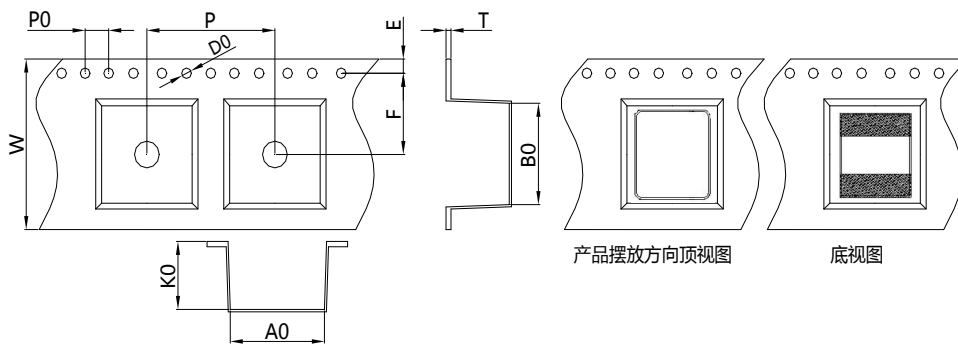
2.包装尺寸：

13" 盘

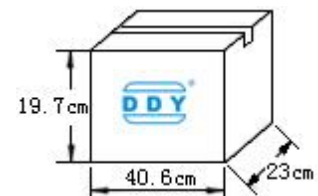
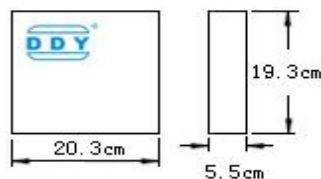
7" 盘



	13" 盘	7" 盘
A	$\Phi 330 \pm 2.0$	$\Phi 178 \pm 2.0$
D	8.5	



Size	Item	W	A0	B0	K0	P	T	E	F	D0	P0
252010	(mm)	$8.00 \pm 0.3$	$2.35 \pm 0.2$	$2.65 \pm 0.2$	$1.40 \pm 0.1$	$4.00 \pm 0.1$	$0.25 \pm 0.1$	$1.75 \pm 0.1$	$3.50 \pm 0.1$	$1.50 \pm 0.1$	$4.00 \pm 0.2$



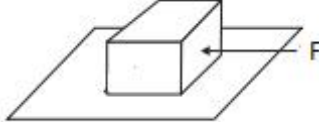
每卷 2000 Pcs

每盒 4卷,共 8000 Pcs

每箱 6盒,共 48000 Pcs



**8. RELIABILITY TEST**

No.	TEST ITEM	SPECIFICATION	TEST CONDITION
1	High temperature Storage test	1. No significant defects in appearance. 2. $\Delta L/L \leq 10\%$ 3. $\Delta DCR/DCR \leq 10\%$	Temperature: $125^{\circ}\text{C} \pm 5^{\circ}\text{C}$ (N: Follow the product specification for the setting.) Time : $96 \pm 2$ hours Place the samples for one hour at room temperature and test them within two hours
2	Low temperature Storage test	1. No significant defects in appearance. 2. $\Delta L/L \leq 10\%$ 3. $\Delta DCR/DCR \leq 10\%$	Temperature: $-40^{\circ}\text{C} \pm 5^{\circ}\text{C}$ (M: Follow the product specification for the setting) Time : $96 \pm 2$ hours Place the samples for one hour at room temperature and test them within two hours.
3	Humidity test	1. No significant defects in appearance. 2. $\Delta L/L \leq 10\%$ 3. $\Delta DCR/DCR \leq 10\%$	Temperature: $40 \pm 2^{\circ}\text{C}$ , Humidity: $93 \pm 3\% \text{RH}$ Time : $96 \pm 2$ hours Place the samples for one hour at room temperature and test them within two hours
4	Solderability test	Terminals must have 95% minimum solder coverage	1. Dip pads in flux then dip in solder pot at $245 \pm 5^{\circ}\text{C}$ for 5 second. 2. Solder: lead free 3. Flux: rosin flux
5	Heat endurance of flow soldering	1. No significant defects in appearance. 2. $\Delta L/L \leq 10\%$ 3. $\Delta DCR/DCR \leq 10\%$	1. Refer to the above reflow curve and go through the reflow for twice. 2. The peak temperature : $260 + 0 / - 5^{\circ}\text{C}$
6	Vibration test	1. No significant defects in appearance. 2. No short and no open.	Apply frequency $10 \sim 55 \sim 10 \text{Hz}$ and amplitude 1.5mm, 1 min/cycle in X Y and Z direction for 2 hours each. (total 6 hours)
7	Terminal strength push test	1. Applied force: 10N Duration: 10sec 2. Solder paste thickness: 0.12mm 3. Meet the above requirements without any loose termina	Solder the test samples to the PCB through $245^{\circ}\text{C}$ reflow, apply a standard force on the side of the test samples for 10 seconds. 



## 9. SOLDERING CONDITIONS

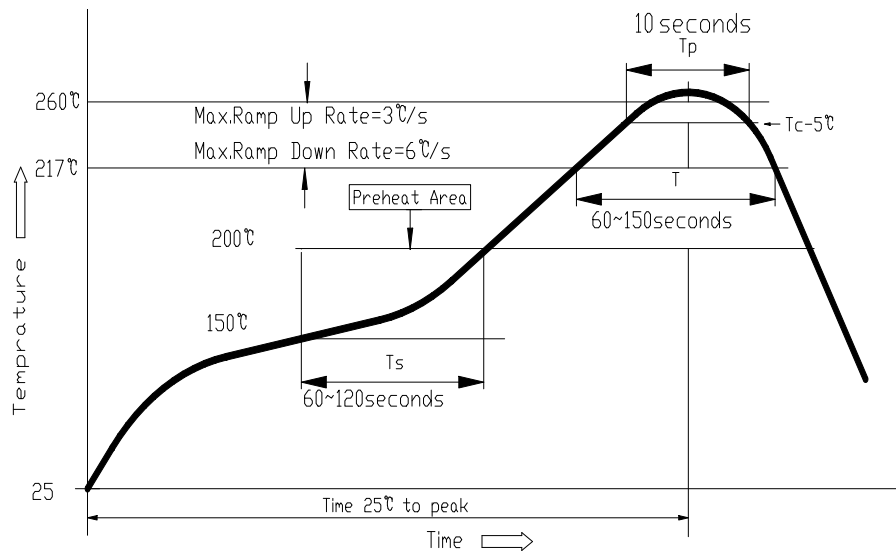
Applicable soldering process to the products is refl.

### 9.1 Soldering Materials

(1) Solder: Sn-3.0Ag-0.5Cu

(2) Flux: Use rosin-based flux, but not strongly acidic flux (with xhlorine exceeding 0.2wt%). Do not use water-soluble flux.

### 9.2 Reflow Soldering Profile



### 9.3 Soldering Iron

Reworking with electric soldering iron must preheating at 150°C for 1 minute is required, and do not directly touch the core with the tip of the soldering iron. The reworking soldering conditions are as follows.

- ① Temperature of soldering iron tip: 350°C;
- ② Soldering iron power output:  $\leq 30W$ ;
- ③ Diameter of soldering iron end:  $\leq 1.0mm$ ;
- ④ Soldering time:  $< 3s$



## X-ON Electronics

Largest Supplier of Electrical and Electronic Components

*Click to view similar products for [Fixed Inductors](#) category:*

*Click to view products by [DDY](#) manufacturer:*

Other Similar products are found below :

[CR32NP-100KC](#) [70F224AI](#) [MHQ1005P10NJ](#) [MHQ1005P1N0S](#) [MHQ1005P2N4S](#) [MHQ1005P3N6S](#) [MHQ1005P5N1S](#) [MHQ1005P8N2J](#)  
[PE-53601NL](#) [PE-53602NL](#) [PG0936.113NLT](#) [9220-20](#) [9310-16](#) [PM06-2N7](#) [PM06-39NJ](#) [A01TK](#) [1206CS-471XJ](#) [HC2-R47-R](#) [HC8-1R2-R](#)  
[HCF1305-3R3-R](#) [1206CS-151XG](#) [RCH664NP-4R7M](#) [RCP1317NP-391L](#) [DH2280-4R7M](#) [DS1608C-106](#) [B10TJ](#) [B82498B3101J000](#) [ELJ-](#)  
[RE27NJF2](#) [1812CS-153XJ](#) [1812CS-183XJ](#) [1812CS-223XJ](#) [1812LS-104XJ](#) [1812LS-105XJ](#) [1812LS-124XJ](#) [1812LS-154XJ](#) [1812LS-223XJ](#)  
[1812LS-224XJ](#) [1812LS-563XJ](#) [1812LS-683XJ](#) [1812LS-824XJ](#) [NIN-FB101JTR110F](#) [NIN-FB471JTR62F](#) [NIN-FC1R5JTR220F](#) [NIN-](#)  
[HCR15JTRF](#) [NIN-HCR33JTRF](#) [NIN-HDR22JTRF](#) [NIN-HDR82JTRF](#) [NIN-HK2N7STRF](#) [NIN-PA150KTR370F](#) [NIN-PB100KTR550F](#)