

承認書

SPECIFICATION FOR APPROVAL

CUSTOMER: 2144

DESCRIPTION: WIRE WOUND CHIP INDUCTOR

DDY PART NO: WI1008UC系列

CUSTOMER MODEL NO: _____

DRAWING		
MADE	CHECKED	APPROVED
谭晶晶	黄志伟	肖中华
DATE:	2023年9月19日	

CUSTOMER APPROVE



惠州市德立电子有限公司
HUI ZHOU DE LI ELECTRONICS CO., LTD

廣東省博羅縣洲際工業園梅園三路
NO.3 MEI YUAN ROAD, ZHOU JI INDUSTRIAL AREA, BOLUO COUNTY GUANGDONG

電話：15970768093 13640935893

傳真：0752-6207969

郵編：516100

Http://ddycoils.com



惠州市德立电子有限公司

HUI ZHOU DE LI ELECTRONICS CO., LTD

CUSTOMER:		REV NO:	A
DESCRIPTION:	WIRE WOUND CHIP INDUCTOR	PAGE NO:	PAGE 1 OF 6
PART NO:	WI1008UC系列	SN.	
CUSTOMER NO:		DATE:	2023年9月19日

CATALOG

Resume	P2
Shape & Dimension	P3
Part numbering system	P3
General specification	P3
Electrical Characteristics List	P4
Soldering Conditions	P5
Package Information	P6



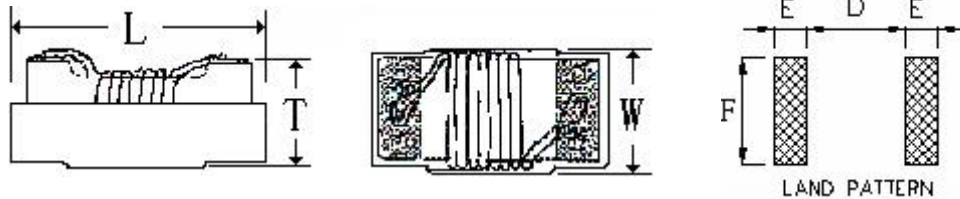
惠州市德立电子有限公司

HUI ZHOU DE LI ELECTRONICS CO., LTD

CUSTOMER:		REV NO:	A
DESCRIPTION:	WIRE WOUND CHIP INDUCTOR	PAGE NO:	PAGE 3 OF 6
PART NO:	WI1008UC系列	SN.	
CUSTOMER NO:		DATE:	2023年9月19日

1. SHAPE & DIMENSION

UNIT:mm



CODE		L(MAX)	W(MAX)	T(MAX)	E(Typ.)	F(Typ.)	D(Typ.)
DIMENSION	WI1008UC	2.92	2.70	2.23	1.02	2.54	1.27

2. PART NUMBERING SYSTEM

WI **1008** **UC** **22N** **J** **S** **T** **HF**
1 **2** **3** **4** **5** **6** **7** **8**

- 1 PRODUCT SYMBOL (产品代号)
- 2 DIMENSIONS (规格尺寸)
- 3 MATERIAL (芯片类型)
- 4 INDUCTANCE (电感量)
- 5 TOLERANCE (公差) : G±2%; J±5%; K±10%; M±20%
- 6 TERMINAL (端电极材料) : G-金端头; S-锡端头;
- 7 PACKAGING (包装方式) : T-编带盘装; B-散装
- 8 E.P. (环保) : LF—Lead Free HF—Halogen Free FP—Red Phosphor Free

3. GENERAL SPECIFICATION

- a. Rating DC current: Temperature rise(ΔT) is 40°C approximately at Irms.
- b. Operating temp.: -40°C ~ +85°C
- c. Storage temp.: -10°C ~ +40°C R.H.: 65% Max
- d. Moisture sensitivity level (MSL) 2 (1 year floor life at <30°C/65% relative humidity)

APPROVED BY	CHECKED BY	DRAFT
肖中华	黄志伟	谭晶晶



惠州市德立电子有限公司

HUI ZHOU DE LI ELECTRONICS CO., LTD

CUSTOMER:		REV NO:	A
DESCRIPTION:	WIRE WOUND CHIP INDUCTOR	PAGE NO:	PAGE 4 OF 6
PART NO:	WI1008UC系列	SN:	
CUSTOMER NO:		DATE:	2023年9月19日

4. Electrical Characteristics List

NO.	Part Number	L	Freq	Q	SRF	Rdc	Irms	产品公差
		(nH)	(MHz)	Min	(MHz)Min	(Ω) Max	(mA) Max	
1	WI1008UC22N□ST-HF	22	50	55@350MHz	2400	0.12	1000	J,K,M
2	WI1008UC39N□ST-HF	39	50	60@350MHz	1500	0.15	1000	J,K,M
3	WI1008UC47N□ST-HF	47	50	65@350MHz	1500	0.16	1000	J,K,M
4	WI1008UC56N□ST-HF	56	50	65@350MHz	1300	0.18	1000	J,K,M
5	WI1008UC68N□ST-HF	68	50	65@350MHz	1300	0.20	1000	J,K,M
6	WI1008UC91N□ST-HF	91	50	60@350MHz	1000	0.56	650	J,K,M
7	WI1008UCR10□ST-HF	100	25	60@350MHz	1000	0.56	650	G,J,K,M
8	WI1008UCR12□ST-HF	120	25	60@350MHz	950	0.63	650	G,J,K,M
9	WI1008UCR15□ST-HF	150	25	45@100MHz	850	0.70	580	G,J,K,M
10	WI1008UCR18□ST-HF	180	25	45@100MHz	750	0.77	620	G,J,K,M
11	WI1008UCR20□ST-HF	200	25	45@100MHz	700	0.84	500	G,J,K,M
12	WI1008UCR22□ST-HF	220	25	45@100MHz	700	0.84	500	G,J,K,M
13	WI1008UCR27□ST-HF	270	25	45@100MHz	600	0.91	500	G,J,K,M
14	WI1008UCR33□ST-HF	330	25	45@100MHz	570	1.05	450	G,J,K,M
15	WI1008UCR39□ST-HF	390	25	45@100MHz	500	1.12	470	G,J,K,M
16	WI1008UCR47□ST-HF	470	25	45@100MHz	450	1.19	470	G,J,K,M
17	WI1008UCR56□ST-HF	560	25	45@100MHz	415	1.33	400	G,J,K,M
18	WI1008UCR68□ST-HF	680	25	45@100MHz	375	1.47	400	G,J,K,M
19	WI1008UCR82□ST-HF	820	25	45@100MHz	350	1.61	400	G,J,K,M
20	WI1008UCR91□ST-HF	910	25	35@50MHz	320	1.68	380	G,J,K,M
21	WI1008UC1R0□ST-HF	1000	25	35@50MHz	290	1.80	370	G,J,K,M
22	WI1008UC1R2□ST-HF	1200	7.9	35@50MHz	250	2.00	310	G,J,K,M
23	WI1008UC1R5□ST-HF	1500	7.9	28@50MHz	200	2.30	330	G,J,K,M
24	WI1008UC1R8□ST-HF	1800	7.9	28@50MHz	160	2.60	300	G,J,K,M
25	WI1008UC2R2□ST-HF	2200	7.9	28@50MHz	160	2.80	280	G,J,K,M
26	WI1008UC2R7□ST-HF	2700	7.9	22@25MHz	140	3.20	290	G,J,K,M
27	WI1008UC3R3□ST-HF	3300	7.9	22@25MHz	110	3.40	290	G,J,K,M
28	WI1008UC3R9□ST-HF	3900	7.9	20@25MHz	100	3.60	260	G,J,K,M
29	WI1008UC4R7□ST-HF	4700	7.9	20@7.9MHz	60	4.00	260	G,J,K,M
30	WI1008UC5R6□ST-HF	5600	7.9	16@7.9MHz	20	5.70	240	G,J,K,M
31	WI1008UC6R8□ST-HF	6800	7.9	18@7.9MHz	40	7.70	200	G,J,K,M
32	WI1008UC8R2□ST-HF	8200	7.9	18@7.9MHz	25	10.70	170	G,J,K,M
33	WI1008UC100□ST-HF	10000	7.9	18@7.9MHz	25	12.70	100	G,J,K,M

APPROVED BY	CHECKED BY	DRAFT
肖中华	黄志伟	谭晶晶

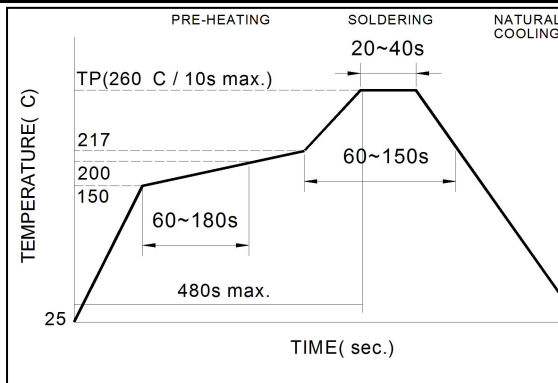


惠州市德立电子有限公司
HUI ZHOU DE LI ELECTRONICS CO., LTD

CUSTOMER:		REV NO:	A
DESCRIPTION:	WIRE WOUND CHIP INDUCTOR	PAGE NO:	PAGE 5 OF 6
PART NO:	WI1008UC系列	SN.	
CUSTOMER NO:		DATE:	2023年9月19日

5. SOLDERING CONDITIONS

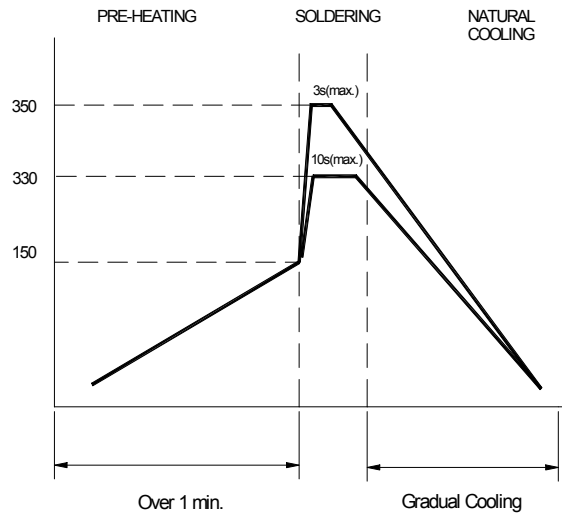
**Figure 1.
Re-flow
Soldering
(Lead Free)**



Note:

- Preheat circuit and products to 150°C
- 260°C tip temperature (max)
- Reflow times: no more than 2 times
- Solder paste thickness: the best 0.08mm is ,but max is 0.1mm

**Figure 2.
Hand
Soldering**



Note:

- Use a 20 watt soldering iron with tip diameter of 1.0mm
- Limit soldering time to 3 sec.

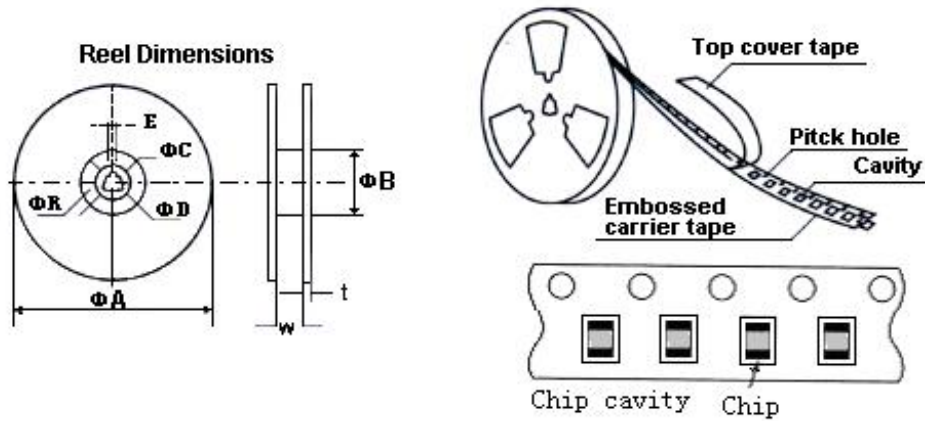
APPROVED BY	CHECKED BY	DRAFT
肖中华	黄志伟	谭晶晶



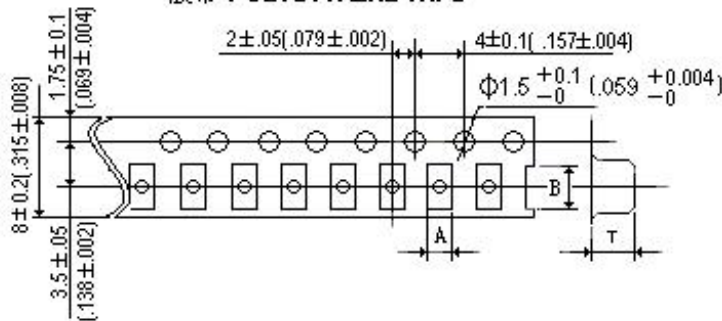
惠州市德立电子有限公司
HUIZHOU DELI ELECTRONICS CO., LTD

CUSTOMER:		REV NO:	A
DESCRIPTION:	WIRE WOUND CHIP INDUCTOR	PAGE NO:	PAGE 6 OF 6
PART NO:	WI1008UC系列	SN:	
CUSTOMER NO:		DATE:	2023年9月19日

6. PACKAGING(unit: mm)



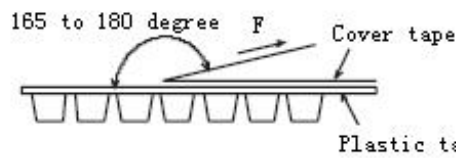
胶带 POLYSTYRENE TAPE



Peeling off force

Full strength
0402~1210:20g~80g

Speed of peeling off:
300mm/min \pm 10%



胶带	1008	A	B	T
		2.96	3.60	2.40

Type	ΦA	ΦB	ΦC	ΦD	E	W	t
1008	178	60	13	21	2	8.4	2

包装数量(PACKAGING QUANTITY): 2000Pcs/盘

注意:

此物料不涉及汽车或相关产品方面的应用, 否则, 由此引起的一切品质和责任问题, 我司将概不承担。

APPROVED BY	CHECKED BY	DRAFT
肖中华	黄志伟	谭晶晶

X-ON Electronics

Largest Supplier of Electrical and Electronic Components

Click to view similar products for [Fixed Inductors](#) category:

Click to view products by [DDY](#) manufacturer:

Other Similar products are found below :

[CR32NP-100KC](#) [70F224AI](#) [MHQ1005P10NJ](#) [MHQ1005P1N0S](#) [MHQ1005P2N4S](#) [MHQ1005P3N6S](#) [MHQ1005P5N1S](#) [MHQ1005P8N2J](#)
[PE-53601NL](#) [PE-53602NL](#) [PG0936.113NLT](#) [9220-20](#) [9310-16](#) [PM06-2N7](#) [PM06-39NJ](#) [A01TK](#) [1206CS-471XJ](#) [HC2-R47-R](#) [HC8-1R2-R](#)
[HCF1305-3R3-R](#) [1206CS-151XG](#) [RCH664NP-4R7M](#) [RCP1317NP-391L](#) [DH2280-4R7M](#) [DS1608C-106](#) [B10TJ](#) [B82498B3101J000](#) [ELJ-](#)
[RE27NJF2](#) [1812CS-153XJ](#) [1812CS-183XJ](#) [1812CS-223XJ](#) [1812LS-104XJ](#) [1812LS-105XJ](#) [1812LS-124XJ](#) [1812LS-154XJ](#) [1812LS-223XJ](#)
[1812LS-224XJ](#) [1812LS-563XJ](#) [1812LS-683XJ](#) [1812LS-824XJ](#) [NIN-FB101JTR110F](#) [NIN-FB471JTR62F](#) [NIN-FC1R5JTR220F](#) [NIN-](#)
[HCR15JTRF](#) [NIN-HCR33JTRF](#) [NIN-HDR22JTRF](#) [NIN-HDR82JTRF](#) [NIN-HK2N7STRF](#) [NIN-PA150KTR370F](#) [NIN-PB100KTR550F](#)