

承認書

SPECIFICATION FOR APPROVAL

CUSTOMER: 2144

DESCRIPTION: WIRE WOUND CHIP INDUCTOR

DDY PART NO: WI1008UC系列

CUSTOMER MODEL NO: _____

| DRAWING | | |
|---------|------------|----------|
| MADE | CHECKED | APPROVED |
| 谭晶晶 | 黄志伟 | 肖中华 |
| DATE: | 2023年9月19日 | |

| CUSTOMER APPROVE |
|------------------|
| |



惠州市德立电子有限公司
HUI ZHOU DE LI ELECTRONICS CO., LTD

廣東省博羅縣洲際工業園梅園三路
NO.3 MEI YUAN ROAD, ZHOU JI INDUSTRIAL AREA, BOLUO COUNTY GUANGDONG

電話：15970768093 13640935893

傳真：0752-6207969

郵編：516100

Http://ddycoils.com



惠州市德立电子有限公司

HUI ZHOU DE LI ELECTRONICS CO., LTD

| | | | |
|--------------|--------------------------|----------|-------------|
| CUSTOMER: | | REV NO: | A |
| DESCRIPTION: | WIRE WOUND CHIP INDUCTOR | PAGE NO: | PAGE 1 OF 6 |
| PART NO: | WI1008UC系列 | SN. | |
| CUSTOMER NO: | | DATE: | 2023年9月19日 |

CATALOG

| | | |
|---------------------------------|-------|----|
| Resume | | P2 |
| Shape & Dimension | | P3 |
| Part numbering system | | P3 |
| General specification | | P3 |
| Electrical Characteristics List | | P4 |
| Soldering Conditions | | P5 |
| Package Information | | P6 |



惠州市德立电子有限公司
HUI ZHOU DE LI ELECTRONICS CO., LTD

Table with 4 columns: CUSTOMER, DESCRIPTION (WIRE WOUND CHIP INDUCTOR), PART NO (W11008UC系列), CUSTOMER NO, REV NO (A), PAGE NO (PAGE 2 OF 6), SN, DATE (2023年9月19日)

变更履历

Table with 5 columns: 日期, 版本 (A), 修订内容 (新版发行), 制定 (谭晶晶), 核准 (肖中华)



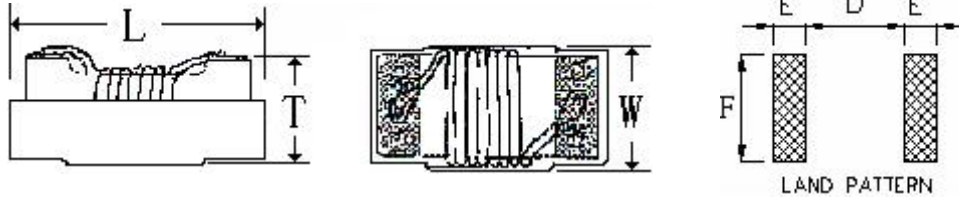
惠州市德立电子有限公司

HUI ZHOU DE LI ELECTRONICS CO., LTD

| | | | |
|--------------|--------------------------|----------|-------------|
| CUSTOMER: | | REV NO: | A |
| DESCRIPTION: | WIRE WOUND CHIP INDUCTOR | PAGE NO: | PAGE 3 OF 6 |
| PART NO: | WI1008UC系列 | SN. | |
| CUSTOMER NO: | | DATE: | 2023年9月19日 |

1. SHAPE & DIMENSION

UNIT:mm



| CODE | | L(MAX) | W(MAX) | T(MAX) | E(Typ.) | F(Typ.) | D(Typ.) |
|-----------|----------|--------|--------|--------|---------|---------|---------|
| DIMENSION | WI1008UC | 2.92 | 2.70 | 2.23 | 1.02 | 2.54 | 1.27 |
| | | | | | | | |
| | | | | | | | |
| | | | | | | | |
| | | | | | | | |

2. PART NUMBERING SYSTEM

WI **1008** **UC** **22N** **J** **S** **T** **HF**
1 **2** **3** **4** **5** **6** **7** **8**

- 1 PRODUCT SYMBOL (产品代号)
- 2 DIMENSIONS (规格尺寸)
- 3 MATERIAL (芯片类型)
- 4 INDUCTANCE (电感量)
- 5 TOLERANCE (公差) : G±2%; J±5%; K±10%; M±20%
- 6 TERMINAL (端电极材料) : G-金端头; S-锡端头;
- 7 PACKAGING (包装方式) : T-编带盘装; B-散装
- 8 E.P. (环保) : LF—Lead Free HF—Halogen Free FP—Red Phosphor Free

3. GENERAL SPECIFICATION

- a. Rating DC current: Temperature rise(ΔT) is 40°C approximately at Irms.
- b. Operating temp.: -40°C ~ +85°C
- c. Storage temp.: -10°C ~ +40°C R.H.: 65% Max
- d. Moisture sensitivity level (MSL) 2 (1 year floor life at <30°C/65% relative humidity)

| | | |
|-------------|------------|-------|
| APPROVED BY | CHECKED BY | DRAFT |
| 肖中华 | 黄志伟 | 谭晶晶 |



惠州市德立电子有限公司

HUI ZHOU DE LI ELECTRONICS CO., LTD

| | | | |
|--------------|--------------------------|----------|-------------|
| CUSTOMER: | | REV NO: | A |
| DESCRIPTION: | WIRE WOUND CHIP INDUCTOR | PAGE NO: | PAGE 4 OF 6 |
| PART NO: | WI1008UC系列 | SN: | |
| CUSTOMER NO: | | DATE: | 2023年9月19日 |

4. Electrical Characteristics List

| NO. | Part Number | L | Freq | Q | SRF | Rdc | Irms | 产品公差 |
|-----|-------------------|-------|-------|-----------|----------|---------|----------|---------|
| | | (nH) | (MHz) | Min | (MHz)Min | (Ω) Max | (mA) Max | |
| 1 | WI1008UC22N□ST-HF | 22 | 50 | 55@350MHz | 2400 | 0.12 | 1000 | J,K,M |
| 2 | WI1008UC39N□ST-HF | 39 | 50 | 60@350MHz | 1500 | 0.15 | 1000 | J,K,M |
| 3 | WI1008UC47N□ST-HF | 47 | 50 | 65@350MHz | 1500 | 0.16 | 1000 | J,K,M |
| 4 | WI1008UC56N□ST-HF | 56 | 50 | 65@350MHz | 1300 | 0.18 | 1000 | J,K,M |
| 5 | WI1008UC68N□ST-HF | 68 | 50 | 65@350MHz | 1300 | 0.20 | 1000 | J,K,M |
| 6 | WI1008UC91N□ST-HF | 91 | 50 | 60@350MHz | 1000 | 0.56 | 650 | J,K,M |
| 7 | WI1008UCR10□ST-HF | 100 | 25 | 60@350MHz | 1000 | 0.56 | 650 | G,J,K,M |
| 8 | WI1008UCR12□ST-HF | 120 | 25 | 60@350MHz | 950 | 0.63 | 650 | G,J,K,M |
| 9 | WI1008UCR15□ST-HF | 150 | 25 | 45@100MHz | 850 | 0.70 | 580 | G,J,K,M |
| 10 | WI1008UCR18□ST-HF | 180 | 25 | 45@100MHz | 750 | 0.77 | 620 | G,J,K,M |
| 11 | WI1008UCR20□ST-HF | 200 | 25 | 45@100MHz | 700 | 0.84 | 500 | G,J,K,M |
| 12 | WI1008UCR22□ST-HF | 220 | 25 | 45@100MHz | 700 | 0.84 | 500 | G,J,K,M |
| 13 | WI1008UCR27□ST-HF | 270 | 25 | 45@100MHz | 600 | 0.91 | 500 | G,J,K,M |
| 14 | WI1008UCR33□ST-HF | 330 | 25 | 45@100MHz | 570 | 1.05 | 450 | G,J,K,M |
| 15 | WI1008UCR39□ST-HF | 390 | 25 | 45@100MHz | 500 | 1.12 | 470 | G,J,K,M |
| 16 | WI1008UCR47□ST-HF | 470 | 25 | 45@100MHz | 450 | 1.19 | 470 | G,J,K,M |
| 17 | WI1008UCR56□ST-HF | 560 | 25 | 45@100MHz | 415 | 1.33 | 400 | G,J,K,M |
| 18 | WI1008UCR68□ST-HF | 680 | 25 | 45@100MHz | 375 | 1.47 | 400 | G,J,K,M |
| 19 | WI1008UCR82□ST-HF | 820 | 25 | 45@100MHz | 350 | 1.61 | 400 | G,J,K,M |
| 20 | WI1008UCR91□ST-HF | 910 | 25 | 35@50MHz | 320 | 1.68 | 380 | G,J,K,M |
| 21 | WI1008UC1R0□ST-HF | 1000 | 25 | 35@50MHz | 290 | 1.80 | 370 | G,J,K,M |
| 22 | WI1008UC1R2□ST-HF | 1200 | 7.9 | 35@50MHz | 250 | 2.00 | 310 | G,J,K,M |
| 23 | WI1008UC1R5□ST-HF | 1500 | 7.9 | 28@50MHZ | 200 | 2.30 | 330 | G,J,K,M |
| 24 | WI1008UC1R8□ST-HF | 1800 | 7.9 | 28@50MHZ | 160 | 2.60 | 300 | G,J,K,M |
| 25 | WI1008UC2R2□ST-HF | 2200 | 7.9 | 28@50MHZ | 160 | 2.80 | 280 | G,J,K,M |
| 26 | WI1008UC2R7□ST-HF | 2700 | 7.9 | 22@25MHz | 140 | 3.20 | 290 | G,J,K,M |
| 27 | WI1008UC3R3□ST-HF | 3300 | 7.9 | 22@25MHz | 110 | 3.40 | 290 | G,J,K,M |
| 28 | WI1008UC3R9□ST-HF | 3900 | 7.9 | 20@25MHz | 100 | 3.60 | 260 | G,J,K,M |
| 29 | WI1008UC4R7□ST-HF | 4700 | 7.9 | 20@7.9MHz | 60 | 4.00 | 260 | G,J,K,M |
| 30 | WI1008UC5R6□ST-HF | 5600 | 7.9 | 16@7.9MHz | 20 | 5.70 | 240 | G,J,K,M |
| 31 | WI1008UC6R8□ST-HF | 6800 | 7.9 | 18@7.9MHz | 40 | 7.70 | 200 | G,J,K,M |
| 32 | WI1008UC8R2□ST-HF | 8200 | 7.9 | 18@7.9MHz | 25 | 10.70 | 170 | G,J,K,M |
| 33 | WI1008UC100□ST-HF | 10000 | 7.9 | 18@7.9MHz | 25 | 12.70 | 100 | G,J,K,M |

| | | |
|-------------|------------|-------|
| APPROVED BY | CHECKED BY | DRAFT |
| 肖中华 | 黄志伟 | 谭晶晶 |

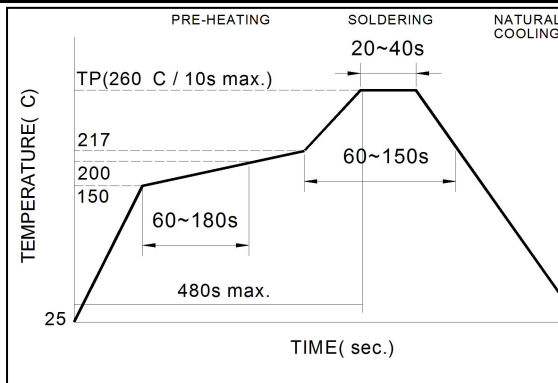


惠州市德立电子有限公司
HUI ZHOU DE LI ELECTRONICS CO., LTD

| | | | |
|--------------|--------------------------|----------|-------------|
| CUSTOMER: | | REV NO: | A |
| DESCRIPTION: | WIRE WOUND CHIP INDUCTOR | PAGE NO: | PAGE 5 OF 6 |
| PART NO: | WI1008UC系列 | SN. | |
| CUSTOMER NO: | | DATE: | 2023年9月19日 |

5. SOLDERING CONDITIONS

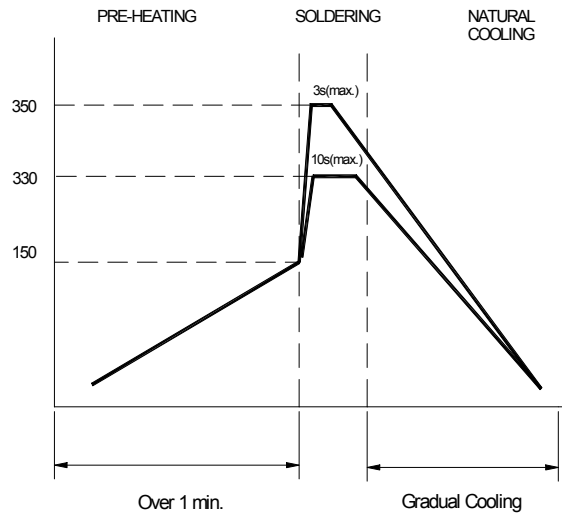
**Figure 1.
Re-flow
Soldering
(Lead Free)**



Note:

- Preheat circuit and products to 150°C
- 260°C tip temperature (max)
- Reflow times: no more than 2 times
- Solder paste thickness: the best 0.08mm is ,but max is 0.1mm

**Figure 2.
Hand
Soldering**



Note:

- Use a 20 watt soldering iron with tip diameter of 1.0mm
- Limit soldering time to 3 sec.

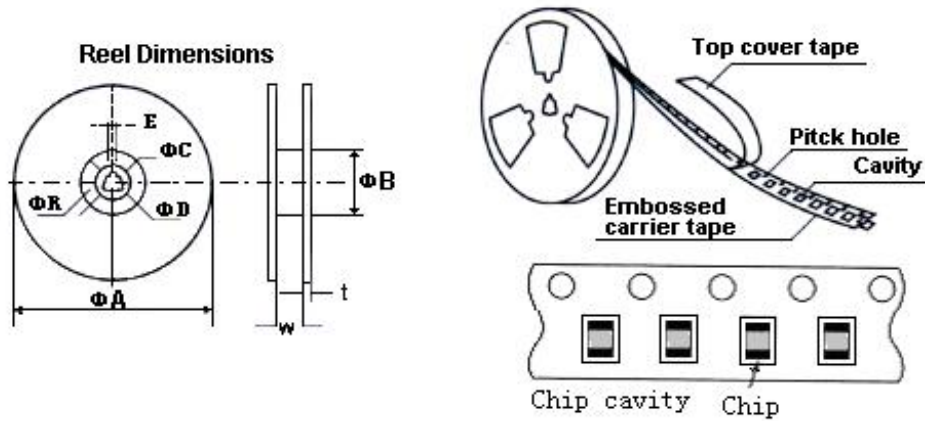
| | | |
|-------------|------------|-------|
| APPROVED BY | CHECKED BY | DRAFT |
| 肖中华 | 黄志伟 | 谭晶晶 |



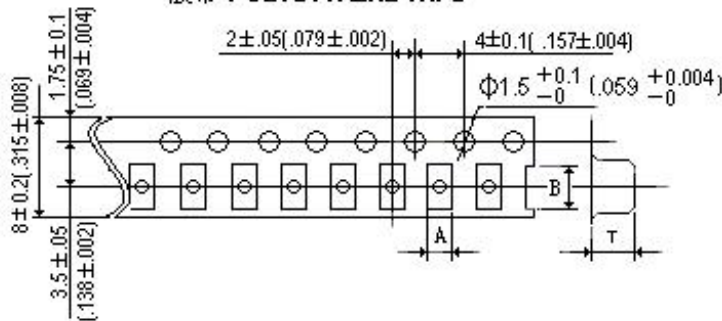
惠州市德立电子有限公司
HUIZHOU DELI ELECTRONICS CO., LTD

| | | | |
|--------------|--------------------------|----------|-------------|
| CUSTOMER: | | REV NO: | A |
| DESCRIPTION: | WIRE WOUND CHIP INDUCTOR | PAGE NO: | PAGE 6 OF 6 |
| PART NO: | WI1008UC系列 | SN: | |
| CUSTOMER NO: | | DATE: | 2023年9月19日 |

6. PACKAGING(unit: mm)



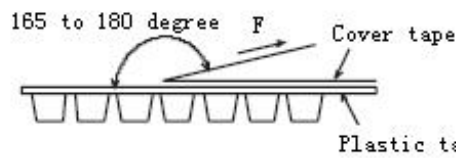
胶带 POLYSTYRENE TAPE



Peeling off force

Full strength
0402~1210:20g~80g

Speed of peeling off:
300mm/min \pm 10%



| | | | | |
|----|------|------|------|------|
| 胶带 | 1008 | A | B | T |
| | | 2.96 | 3.60 | 2.40 |

| | | | | | | | |
|------|----------|----------|----------|----------|---|-----|---|
| Type | ΦA | ΦB | ΦC | ΦD | E | W | t |
| 1008 | 178 | 60 | 13 | 21 | 2 | 8.4 | 2 |

包装数量(PACKAGING QUANTITY): 2000Pcs/盘

注意:

此物料不涉及汽车或相关产品方面的应用, 否则, 由此引起的一切品质和责任问题, 我司将概不承担。

| | | |
|-------------|------------|-------|
| APPROVED BY | CHECKED BY | DRAFT |
| 肖中华 | 黄志伟 | 谭晶晶 |

X-ON Electronics

Largest Supplier of Electrical and Electronic Components

Click to view similar products for [Fixed Inductors](#) category:

Click to view products by [DDY](#) manufacturer:

Other Similar products are found below :

[CR32NP-100KC](#) [70F224AI](#) [MHQ1005P10NJ](#) [MHQ1005P1N0S](#) [MHQ1005P2N4S](#) [MHQ1005P3N6S](#) [MHQ1005P5N1S](#) [MHQ1005P8N2J](#)
[PE-53601NL](#) [PE-53602NL](#) [PG0936.113NLT](#) [9220-20](#) [9310-16](#) [PM06-2N7](#) [PM06-39NJ](#) [A01TK](#) [1206CS-471XJ](#) [HC2-R47-R](#) [HC8-1R2-R](#)
[HCF1305-3R3-R](#) [1206CS-151XG](#) [RCH664NP-4R7M](#) [RCP1317NP-391L](#) [DH2280-4R7M](#) [DS1608C-106](#) [B10TJ](#) [B82498B3101J000](#) [ELJ-](#)
[RE27NJF2](#) [1812CS-153XJ](#) [1812CS-183XJ](#) [1812CS-223XJ](#) [1812LS-104XJ](#) [1812LS-105XJ](#) [1812LS-124XJ](#) [1812LS-154XJ](#) [1812LS-223XJ](#)
[1812LS-224XJ](#) [1812LS-563XJ](#) [1812LS-683XJ](#) [1812LS-824XJ](#) [NIN-FB101JTR110F](#) [NIN-FB471JTR62F](#) [NIN-FC1R5JTR220F](#) [NIN-](#)
[HCR15JTRF](#) [NIN-HCR33JTRF](#) [NIN-HDR22JTRF](#) [NIN-HDR82JTRF](#) [NIN-HK2N7STRF](#) [NIN-PA150KTR370F](#) [NIN-PB100KTR550F](#)