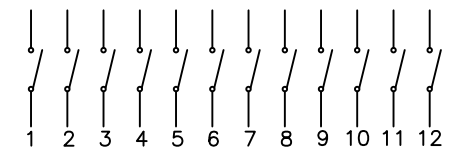
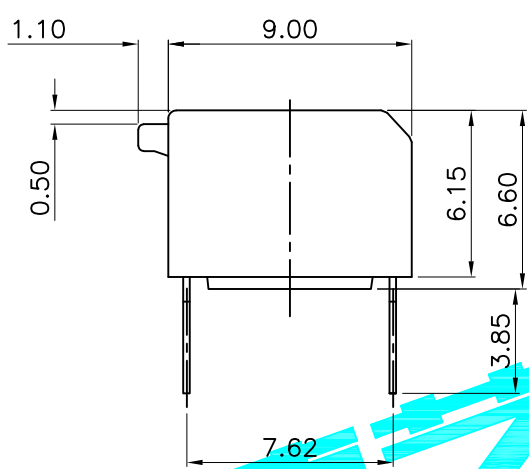
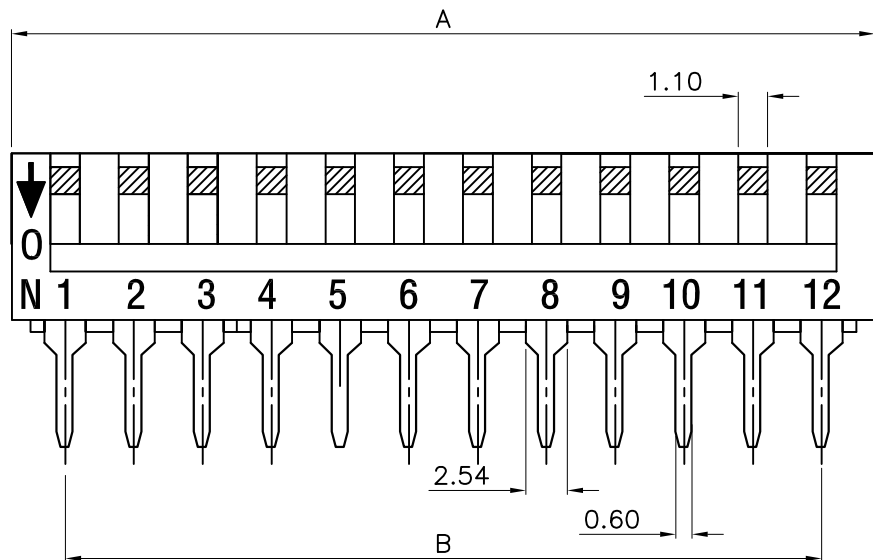


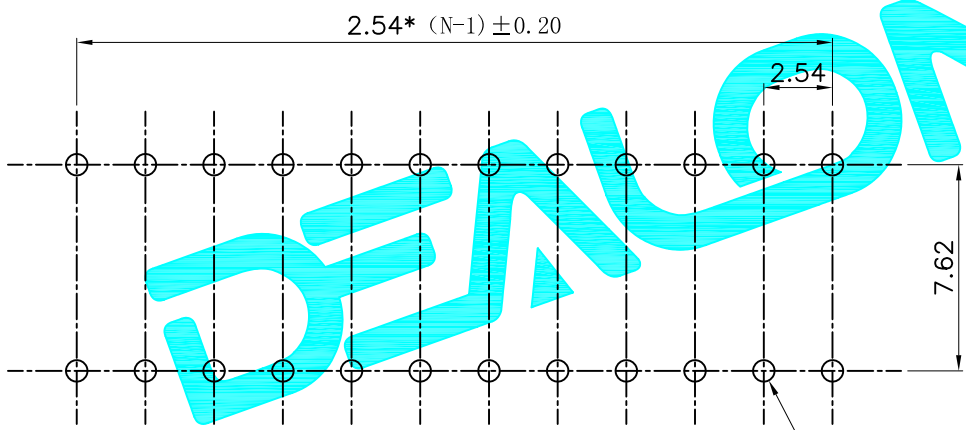
CAD FILE:



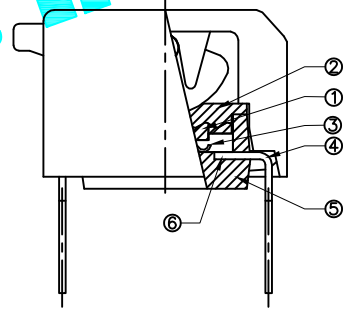
Circuit Diagram



- NOTE:
- 1.Rating: 24V 25mA DC
  - 2.Contact Resistance: 50mΩ max
  - 3.Dielectric Strength:500V AC/1Minute
  - 4.Operating Force: 1000gf Max
  - 5.Operating Life:2,000 Cycles



PCB Layout(Pattern Side)



| Position(位数)         | 2P    | 3P     | 4P     | 5P     | 6P     | 7P     | 8P     | 9P     | 10P    | 12P    |        |
|----------------------|-------|--------|--------|--------|--------|--------|--------|--------|--------|--------|--------|
| DIM.A(长度)            | 6.48  | 9.02   | 11.56  | 14.10  | 16.64  | 19.18  | 21.72  | 24.26  | 26.80  | 31.88  |        |
| DIM.B(长度)            | 2.54  | 5.08   | 7.62   | 10.16  | 12.70  | 15.24  | 17.78  | 20.32  | 22.86  | 27.94  |        |
| PART NO.<br>型号/原色(®) | 凸柄(P) | DV-02P | DV-03P | DV-04P | DV-05P | DV-06P | DV-07P | DV-08P | DV-09P | DV-10P | DV-12P |

| ITEM | PART NAME        | QTY. | MATERIAL        | FINISHING  |
|------|------------------|------|-----------------|------------|
| ⑥    | Terminal Contact | 1    | Brass           | Au Plating |
| ⑤    | Base             | 1    | PBT             | Black      |
| ④    | Terminal         | 1    | Phosphor bronze | Au Plating |
| ③    | Movable          | 1    | Copper Alloy    | Au Plating |
| ②    | Cover            | 1    | PBT             | Black      |
| ①    | Actuator         | 1    | PBT             | White      |

| APPROVALS      |          | DATE      |
|----------------|----------|-----------|
| DRAWN          | G.M.Chen | 2015/6/26 |
| CHECKED        |          |           |
| APPROVALS      |          |           |
| TOLERANCES ARE |          | ANGLE     |
| 30~以上          | ±0.30    | ±2'       |
| 10~30          | ±0.20    |           |
| 5~10           | ±0.15    |           |
| ~ 5            | ±0.10    |           |

**DEALON 德之隆®**  
ELECTRONICS CO.,LTD

TITLE: DIP SWITCHES

PART NO. DV-XXXX

UNIT: mm SCALE: 1:1 SHEET 1 OF 1

DRAWING NO. PROJ:

| ECN NO. | REV. | DATE. | DESCRIPTION. | CHANGE. | CHECK. | APPRO. |
|---------|------|-------|--------------|---------|--------|--------|
|         | A    |       | NEW          |         |        |        |

## X-ON Electronics

Largest Supplier of Electrical and Electronic Components

*Click to view similar products for [DIP Switches/SIP Switches](#) category:*

*Click to view products by [DEALON](#) manufacturer:*

Other Similar products are found below :

[79B10T](#) [8136-475G4T](#) [G7G-1A2-CB-DC12](#) [DRS4016](#) [1825444-1](#) [193005MS](#) [195010MS](#) [200183](#) [206002](#) [208004](#) [208007ST](#) [208008](#)  
[25.350.0653.0](#) [SDA10H1BDA](#) [97R06ST](#) [A2C-2A5](#) [1825444-7](#) [ADE12S04](#) [206005RAS](#) [206007](#) [209005LPST](#) [2-1825058-8](#) [219002LPST](#)  
[219002MSTJRF](#) [219012MST](#) [25.352.0353.0](#) [CXDRIVEV2X](#) [LA2-002-DC24](#) [DSR02T](#) [193004MS](#) [E2FMX2D1M1TGJ03M](#) [NDI10H](#) [219-](#)  
[9MSTP](#) [219008LPSTR](#) [EPM02FV](#) [206010RAST](#) [76SB05](#) [TD06H0SK1](#) [Z7.255.9027.0](#) [1-1825058-3](#) [1825428-4](#) [219-10LPSTF](#)  
[E3ZG6111D03M](#) [G4D212PUSTV2DC5](#) [HARW0002](#) [EPG301BT06](#) [1-1825058-6](#) [E3TSL23M5J03M](#) [Y5795](#) [7R0060](#)