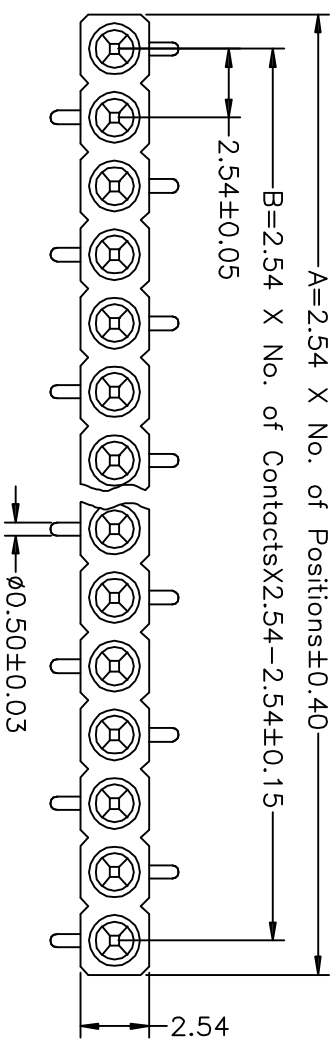
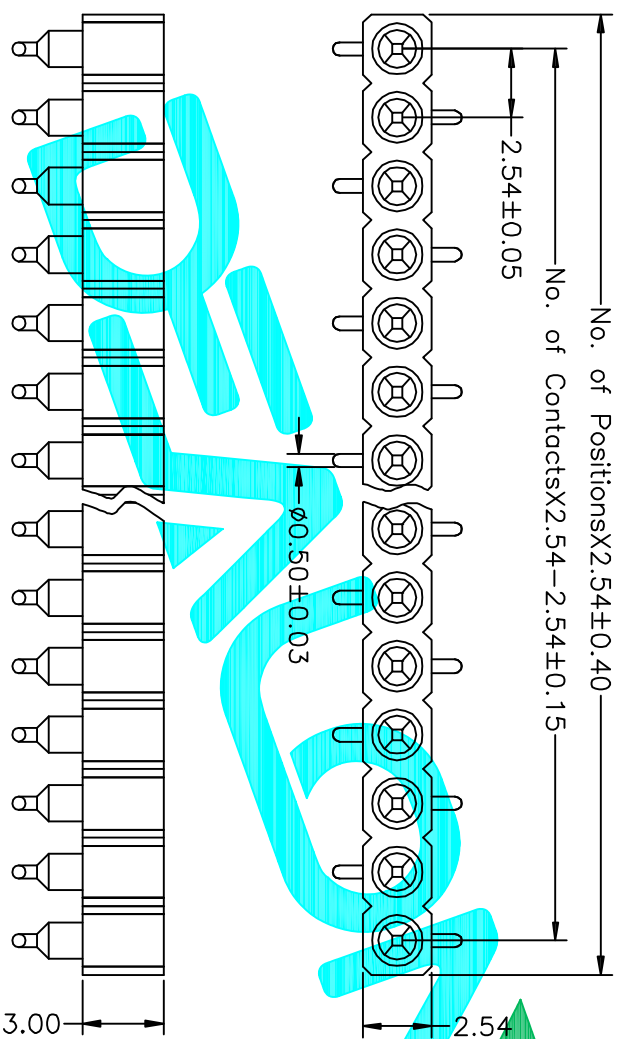


Technical Data



Type 2



Type 1

Material:

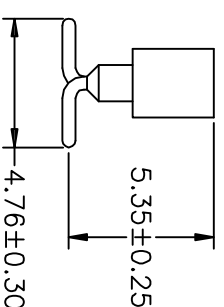
Pin(outer sleeve): Brass-machined CuZn38Pb2
 Clip(contact 4 finger): Beryllium Copper;heat treated
 Plating(outer sleeve):
 Tin plated:2 m/80 "Ni, 5 m/200 "Sn
 Gold Plated:2 m/80 "Ni,Full gold
 Plating(contact): 2 m/80 "Ni, gold or Tin plated
 Insulator(black): Glass filled thermoplastic Polyester
 UL94V-0

Electrical:

Current rating: 3Amps/contact max.
 Contact resistance: $\leq 4m\Omega$ /contact
 Insulation resistance: 1000M Ω at V=100V
 Operating voltage: 60V AC/DC

Mechanical:

Average insertion force with steel pin of
 1.0.43mm/0.17": <250g
 Average withdrawal force with steel pin of
 1.0.43mm/0.17": >50g min.
 Mechanical life cycle:min.200
 Operating temperatures: Gold Plated:-55°C to+105°C
 Tin plated:-40°C to+105°C



APPROVALS		DATE		TITLE:	
DRAWN	G.M.Chen	2014/11/26		ELECTRONICS CO.,LTD	
CHECKED				CONNECTOR	
APPROVALS				PART NO.	MW254S-11-XX-7X
TOLERANCES ARE		30 ^{+0.15} _{-0.10}	±0.30	UNIT:	mm
		10 ^{+0.10} _{-0.08}	±0.20	SCALE:	1:1
		5 ^{+0.10} _{-0.08}	±0.15	SHEET	1 OF 1
			±2'	DRAWING NO.	
ECN NO.	REV.	DATE.	DESCRIPTION.	CHANGE.	CHECK.
	A		NEW		

X-ON Electronics

Largest Supplier of Electrical and Electronic Components

Click to view similar products for [Headers & Wire Housings](#) category:

Click to view products by [DEALON](#) manufacturer:

Other Similar products are found below :

[57102-F02-18ULF](#) [58102-G61-06LF](#) [582553-1](#) [009176003701906](#) [01.001.5753.1](#) [0050291907](#) [02.125.8002.8](#) [609-3404](#) [61062-3](#)
[CSU011177004](#) [622-0430](#) [622-3653LF](#) [63453-116](#) [636-1030](#) [636-1427](#) [636-3427](#) [636-4007](#) [641938-9](#) [644827-2](#) [65495-038](#) [65692-001LF](#)
[65781-018](#) [65781-047](#) [65817-010LF](#) [65817-015LF](#) [66207-023LF](#) [67095-007LF](#) [67601157](#) [68631-112](#) [68645-018](#) [699319-000](#)
[M90C108951C](#) [70.362.1628.0](#) [70-4210](#) [70-4226B](#) [70-4853B](#) [707-5028](#) [71.350.2428.0](#) [71961-016LF](#) [733-134](#) [733-162](#) [754199-000](#) [760-](#)
[3052](#) [80.063.4001.1](#) [800-90-001-10-001000](#) [800-90-010-10-002000](#) [801-43-002-10-013000](#) [801-43-006-10-002000](#) [803-41-018-10-001000](#)
[803-43-024-10-001000](#)