

Technical Data

Material:

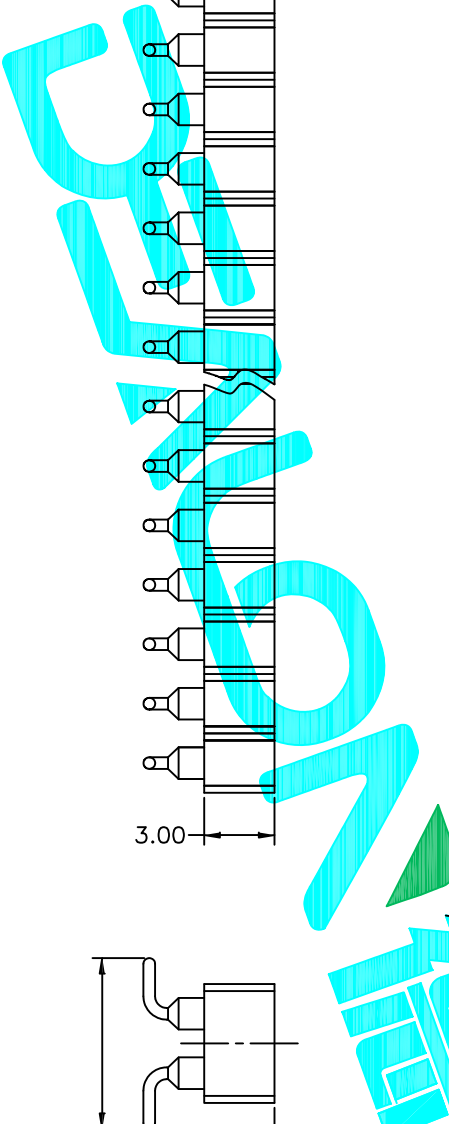
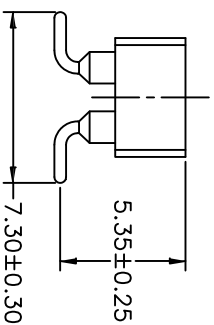
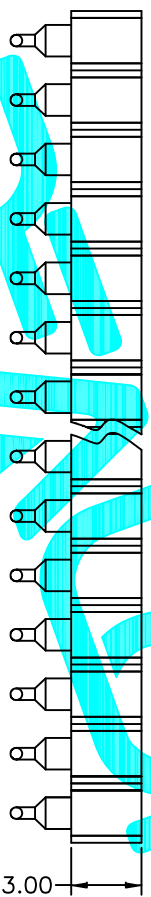
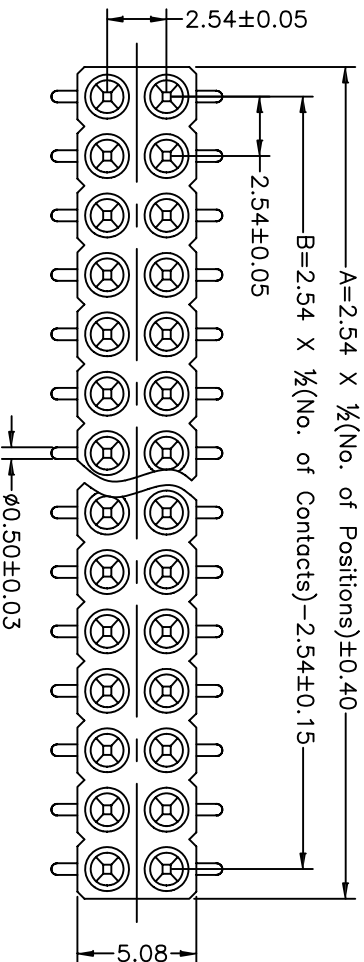
Pin(outer sleeve): Brass,machined CuZn38Pb2
 Clip(contact 4 finger): Beryllium Copper,heat treated
 Plating(outer sleeve):
 Tin plated:2μm/80μ"Ni, 5μm/200μ"Sn
 Gold Plated:2μm/80μ"Ni,Full gold
 Plating(contact): 2μm/80μ"Ni, gold or Tin plated
 Insulator(black): Glass filled thermoplastic polyester
 UL94V-0

Electrical:

Current rating: 3Amps/contact max.
 Contact resistance: ≤4mΩ/contact
 Insulation resistance: ≥1000MΩ at V=100V
 Operating voltage: 60VAC/DC

Mechanical:

Average insertion force with steel pin of
 Ø0.43mm/0.17": <250g
 Average withdrawal force with steel pin of
 Ø0.43mm/0.17": >50g min.
 Mechanical life cycle:min.200
 Operating temperatures: Gold Plated:-55°C to+105°C
 Tin plated:-40°C to+105°C



APPROVALS		DATE	DRAWING NO.	
DRAWN	G.M.Chen	2015/5/4	MW254S-22-XX-74	
CHECKED			CONNECTOR	
APPROVALS			PART NO.	
TOLERANCES ARE		±0.30	ANGLE	±2°
30 ^{±0.15}	10 ^{±0.30}	5 ^{±0.15}	UNIT: mm	SCALE: 1:1
DESCRIPTION.		NEW	CHANGE.	CHECK.
ECN NO.	REV.	DATE.	APPRO.	SHEET 1 OF 1
				PROJ.



X-ON Electronics

Largest Supplier of Electrical and Electronic Components

Click to view similar products for [Headers & Wire Housings](#) category:

Click to view products by [DEALON](#) manufacturer:

Other Similar products are found below :

[57102-F02-18ULF](#) [58102-G61-06LF](#) [582553-1](#) [009176003701906](#) [01.001.5753.1](#) [0050291907](#) [02.125.8002.8](#) [609-3404](#) [61062-3](#)
[CSU011177004](#) [622-0430](#) [622-3653LF](#) [63453-116](#) [636-1030](#) [636-1427](#) [636-3427](#) [636-4007](#) [641938-9](#) [644827-2](#) [65495-038](#) [65692-001LF](#)
[65781-018](#) [65781-047](#) [65817-010LF](#) [65817-015LF](#) [66207-023LF](#) [67095-007LF](#) [67601157](#) [68631-112](#) [68645-018](#) [699319-000](#)
[M90C108951C](#) [70.362.1628.0](#) [70-4210](#) [70-4226B](#) [70-4853B](#) [707-5028](#) [71.350.2428.0](#) [71961-016LF](#) [733-134](#) [733-162](#) [754199-000](#) [760-](#)
[3052](#) [80.063.4001.1](#) [800-90-001-10-001000](#) [800-90-010-10-002000](#) [801-43-002-10-013000](#) [801-43-006-10-002000](#) [803-41-018-10-001000](#)
[803-43-024-10-001000](#)