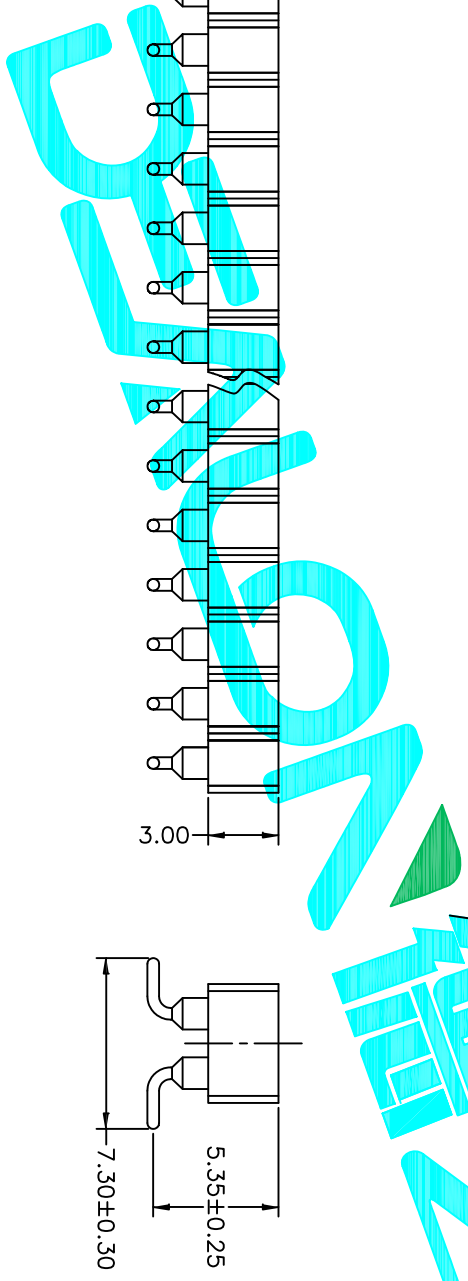
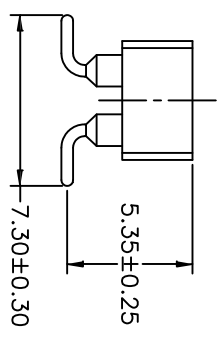
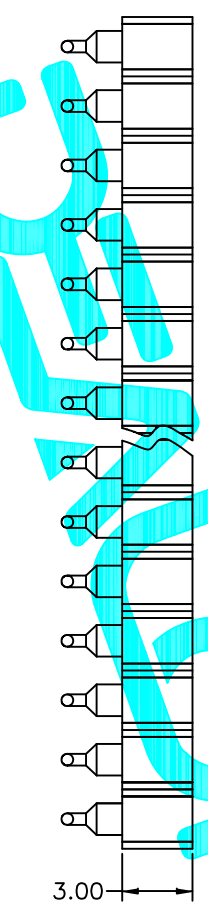
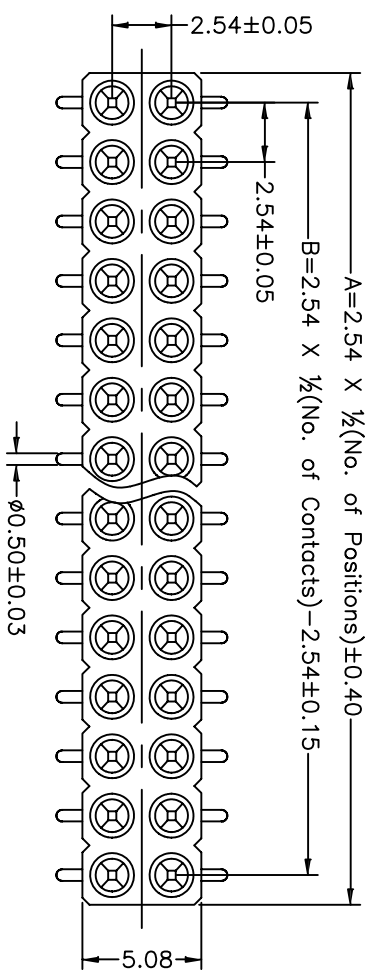


# Technical Data

**Material:**  
 Pin(outer sleeve): Brass,machined CuZn38Pb2  
 Clip(contact 4 finger): Beryllium Copper,heat treated  
 Plating(outer sleeve):  
 Tin plated:2µm/80µ"Ni, 5µm/200µ"Sn  
 Gold Plated:2µm/80µ"Ni,Full gold  
 Plating(contact): 2µm/80µ"Ni, gold or Tin plated  
 Insulator(black): Glass filled thermoplastic polyester  
 UL94V-0

**Electrical:**  
 Current rating: 3Amps/contact max.  
 Contact resistance: ≤4mΩ/contact  
 Insulation resistance: ≥1000MΩ at V=100V  
 Operating voltage: 60VAC/DC

**Mechanical:**  
 Average insertion force with steel pin of  
 Ø0.43mm/0.17": <250g  
 Average withdrawal force with steel pin of  
 Ø0.43mm/0.17": >50g min.  
 Mechanical life cycle:min.200  
 Operating temperatures: Gold Plated: -55°C to +105°C  
 Tin plated: -40°C to +105°C



APPROVALS		DATE	DRAWING NO.	
DRAWN	G.M.Chen	2015/5/4	MW254S-22-XX-74	
CHECKED			CONNECTOR	
APPROVALS			PART NO.	
TOLERANCES ARE			UNIT: mm	SCALE: 1:1
30 <sup>±0.15</sup>	±0.30	ANGLE		SHEET 1 OF 1
10 <sup>±0.10</sup>	±0.20			PROJ.
5 <sup>±0.10</sup>	±0.15	±2°	DRAWING NO.	

ECN NO.	REV.	DATE.	DESCRIPTION.	CHANGE.	CHECK.	APPRO.
	A		NEW			



## X-ON Electronics

Largest Supplier of Electrical and Electronic Components

*Click to view similar products for [Headers & Wire Housings](#) category:*

*Click to view products by [DEALON](#) manufacturer:*

Other Similar products are found below :

[57102-F02-18ULF](#) [58102-G61-06LF](#) [582553-1](#) [009176003701906](#) [01.001.5753.1](#) [0050291907](#) [02.125.8002.8](#) [609-3404](#) [61062-3](#)  
[CSU011177004](#) [622-0430](#) [622-3653LF](#) [63453-116](#) [636-1030](#) [636-1427](#) [636-3427](#) [636-4007](#) [641938-9](#) [644827-2](#) [65495-038](#) [65692-001LF](#)  
[65781-018](#) [65781-047](#) [65817-010LF](#) [65817-015LF](#) [66207-023LF](#) [67095-007LF](#) [67601157](#) [68631-112](#) [68645-018](#) [699319-000](#)  
[M90C108951C](#) [70.362.1628.0](#) [70-4210](#) [70-4226B](#) [70-4853B](#) [707-5028](#) [71.350.2428.0](#) [71961-016LF](#) [733-134](#) [733-162](#) [754199-000](#) [760-](#)  
[3052](#) [80.063.4001.1](#) [800-90-001-10-001000](#) [800-90-010-10-002000](#) [801-43-002-10-013000](#) [801-43-006-10-002000](#) [803-41-018-10-001000](#)  
[803-43-024-10-001000](#)