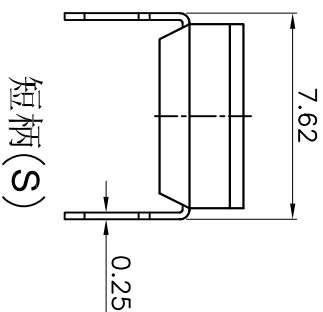
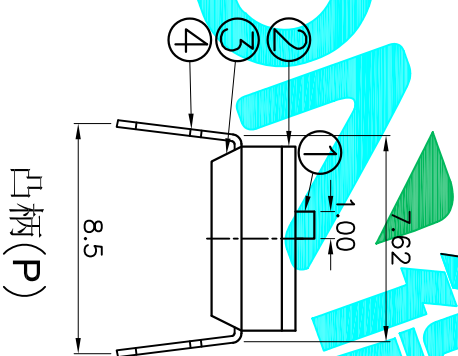
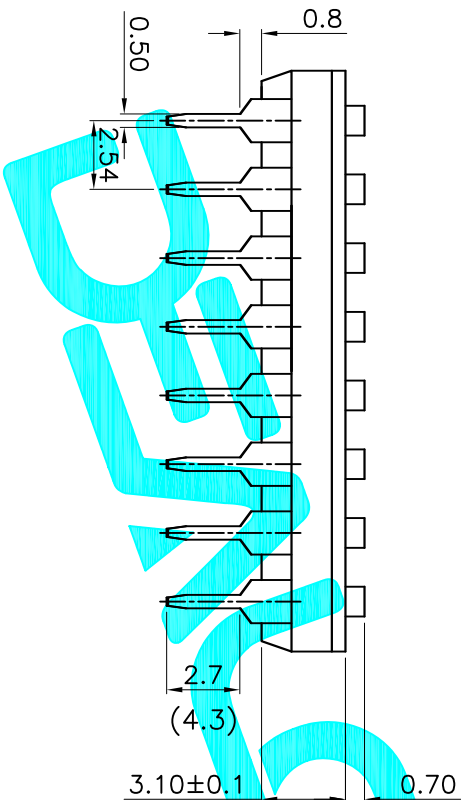
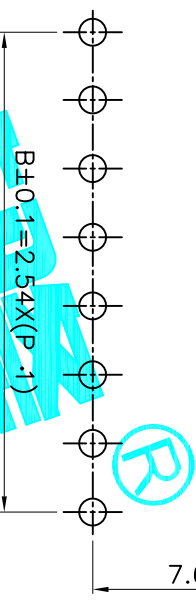
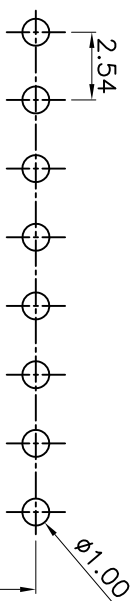
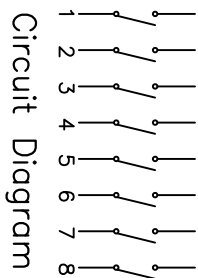
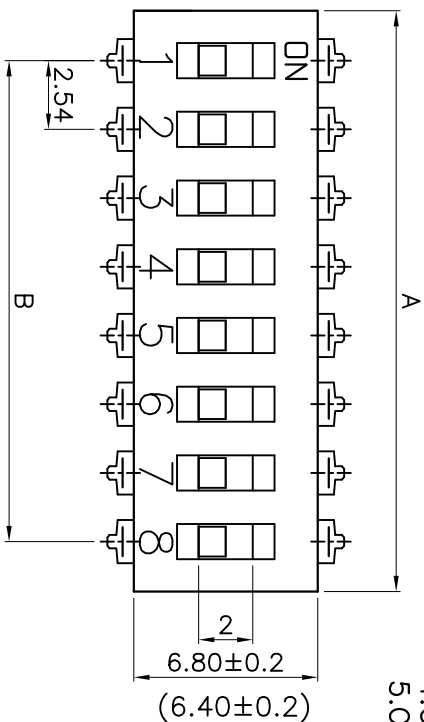


- NOTE:
1. Rating: 24V 25mA DC
 2. Contact Resistance: 50mΩ max
 3. Dielectric Strength: 500V AC/1Minute
 4. Operating Force: 1000gf Max
 5. Operating Life: 2,000 Cycles



| Position(位数) | 2P | 3P | 4P | 5P | 6P | 7P | 8P | 9P | 10P | 12P |
|--------------|------|------|-------|-------|-------|-------|-------|-------|-------|-------|
| DIM.A(长度) | 6.54 | 9.08 | 11.62 | 14.16 | 16.70 | 19.24 | 21.78 | 24.32 | 26.86 | 31.94 |
| DIM.B(长度) | 2.54 | 5.08 | 7.62 | 10.16 | 12.70 | 15.24 | 17.78 | 20.32 | 22.86 | 27.94 |

| PART NO. | 凸柄(P) | 短柄(S) |
|----------|---------|---------|
| SM-02KP | SM-03KP | SM-04KP |
| SM-02KS | SM-03KS | SM-04KS |
| SM-02KP | SM-03KP | SM-04KP |
| SM-02KS | SM-03KS | SM-04KS |
| SM-05KP | SM-06KP | SM-07KP |
| SM-05KS | SM-06KS | SM-07KS |
| SM-08KP | SM-09KP | SM-10KP |
| SM-08KS | SM-09KS | SM-10KS |
| SM-12KP | SM-12KS | |

| ITEM | PART NAME | QTY. | MATERIAL | FINISHING |
|------|-----------|------|-----------------|------------|
| ④ | Terminal | | Phosphor bronze | Au Plating |
| ③ | Base | 1 | PBT | Black |
| ② | Cover | 1 | PBT | Black |
| ① | Keystoke | 1 | PBT | White |

| ECN NO. | REV. | DATE. | DESCRIPTION. | CHANGE. | CHECK. | APPRO. |
|---------|------|-------|--------------|---------|--------|--------|
| | A | | NEW | | | |

| APPROVALS | DATE |
|----------------|-----------|
| DRAWN G.M.Chen | 2015/6/26 |
| CHECKED | |
| APPROVALS | |

| TOLERANCES ARE | ANGLE | UNIT | SCALE | SHEET |
|---------------------|-------|-------------|-------|--------|
| 30 ^{±0.15} | ±0.30 | mm | 1:1 | 1 OF 1 |
| 10 ^{±0.10} | ±0.20 | | | |
| 9 ^{±0.10} | ±0.15 | | | |
| 5 | ±2° | DRAWING NO. | | PROJ. |

DEALON 德之隆
ELECTRONICS CO.,LTD

TITLE: DIP SWITCHES
PART NO. SM-XXXX

X-ON Electronics

Largest Supplier of Electrical and Electronic Components

Click to view similar products for [DIP Switches/SIP Switches](#) category:

Click to view products by [DEALON](#) manufacturer:

Other Similar products are found below :

[79B10T](#) [8136-475G4T](#) [G7G-1A2-CB-DC12](#) [DRS4016](#) [1825444-1](#) [193005MS](#) [195010MS](#) [200183](#) [206002](#) [208004](#) [208007ST](#) [208008](#)
[25.350.0653.0](#) [SDA10H1BDA](#) [97R06ST](#) [A2C-2A5](#) [1825444-7](#) [ADE12S04](#) [206005RAS](#) [206007](#) [209005LPST](#) [2-1825058-8](#) [219002LPST](#)
[219002MSTJRF](#) [219012MST](#) [25.352.0353.0](#) [CXDRIVEV2X](#) [LA2-002-DC24](#) [DSR02T](#) [193004MS](#) [E2FMX2D1M1TGJ03M](#) [NDI10H](#) [219-](#)
[9MSTP](#) [219008LPSTR](#) [EPM02FV](#) [206010RAST](#) [76SB05](#) [TD06H0SK1](#) [Z7.255.9027.0](#) [1-1825058-3](#) [1825428-4](#) [219-10LPSTF](#)
[E3ZG6111D03M](#) [G4D212PUSTV2DC5](#) [HARW0002](#) [EPG301BT06](#) [1-1825058-6](#) [E3TSL23M5J03M](#) [Y5795](#) [7R0060](#)