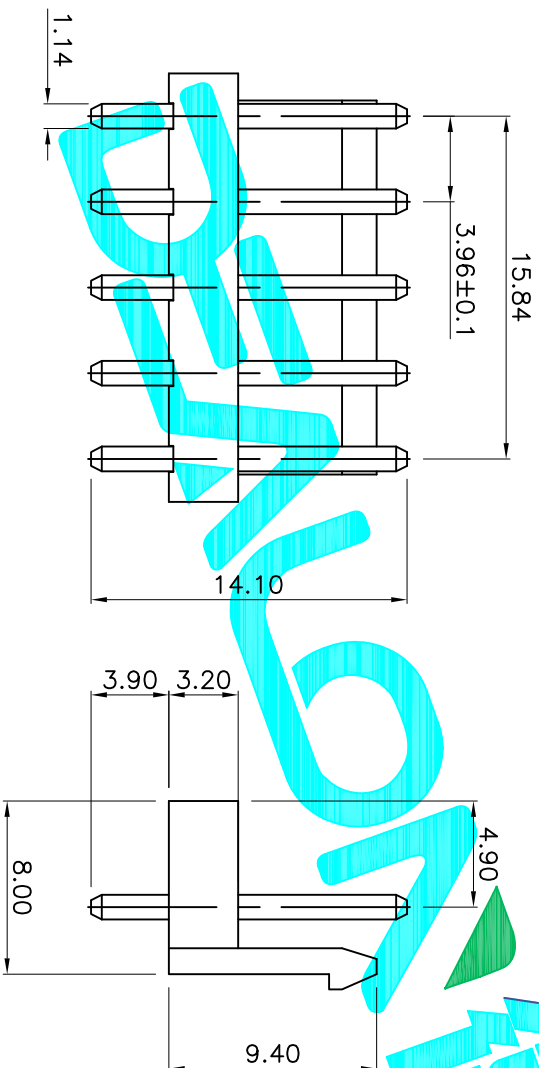


Specifications :
 Voltage rating: 250V AC / DC
 Current rating: 7A AC / DC
 Withstanding voltage: 1500V AC/minute
 Temperature range: -25°C~+85°C
 Insulation resistance: ≥1000MΩ
 Contact resistance: ≤10mΩ
 After environmental testing: ≤20mΩ



| Poles | Dimensions(mm) | | Poles | Dimensions(mm) | |
|-------|----------------|-------|-------|----------------|-------|
| | A | B | | A | B |
| 02 | 3.96 | 7.92 | 09 | 31.68 | 35.64 |
| 03 | 7.92 | 11.88 | 10 | 35.64 | 39.60 |
| 04 | 11.88 | 15.84 | 11 | 39.60 | 43.56 |
| 05 | 15.84 | 19.80 | 12 | 43.56 | 47.52 |
| 06 | 19.80 | 23.76 | 13 | 47.52 | 51.48 |
| 07 | 23.76 | 27.72 | 14 | 51.48 | 55.44 |
| 08 | 27.72 | 31.68 | 15 | 55.44 | 59.40 |

| APPROVALS | | DATE | APPROVALS | | DATE |
|----------------|----------|---------------------|-----------|-------------|--------------|
| DRAWN | G.M.Chen | 2015/5/29 | CHECKED | | |
| CHECKED | | | APPROVALS | | |
| TOLERANCES ARE | | 30 ^{±0.15} | ±0.30 | ANGLE | |
| | | 10 ^{±0.10} | ±0.20 | UNIT: mm | SCALE: 1:1 |
| | | 5 ^{±0.10} | ±0.15 | DRAWING NO. | SHEET 1 OF 1 |
| | | | | | PROJ. |

| ECN NO. | REV. | DATE. | DESCRIPTION. |
|---------|------|-------|--------------|
| | A | | NEW |

| | | | |
|-------------------------------|--|-----------|--|
| DRAWN | | DATE | |
| G.M.Chen | | 2015/5/29 | |
| | | | |
| TITLE: | | PART NO. | |
| 3.96mm Crimp Style Connectors | | VII-XXXA | |

X-ON Electronics

Largest Supplier of Electrical and Electronic Components

Click to view similar products for [Headers & Wire Housings](#) category:

Click to view products by [DEALON](#) manufacturer:

Other Similar products are found below :

[57102-F02-18ULF](#) [58102-G61-06LF](#) [0009485154](#) [009176003701906](#) [0050291907](#) [00-9021-0611-00-339](#) [02.125.8002.8](#) [609-3404](#) [61062-3](#)
[622-0430](#) [622-3653LF](#) [63453-116](#) [636-1030](#) [636-1427](#) [636-3427](#) [636-4007](#) [641938-9](#) [644827-2](#) [65495-038](#) [65692-001LF](#) [65781-018](#)
[65781-047](#) [65817-010LF](#) [65817-015LF](#) [66207-023LF](#) [67016-026LF](#) [67095-007LF](#) [68631-112](#) [68645-018](#) [68648-049](#) [699319-000](#)
[70.362.1628.0](#) [70-4210](#) [70-4226B](#) [70-4853B](#) [707-5020](#) [707-5028](#) [71.350.2428.0](#) [71961-016LF](#) [733-134](#) [754199-000](#) [760-3052](#) [787-8014-00](#)
[FCN-367T-T012/H](#) [80.063.4001.1](#) [800-90-001-10-001000](#) [800-90-010-10-002000](#) [801-43-002-10-013000](#) [801-43-006-10-002000](#)
[803-41-018-10-001000](#)