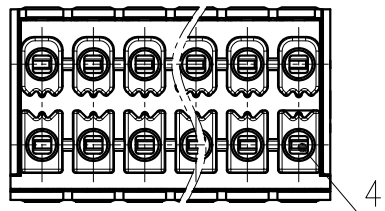
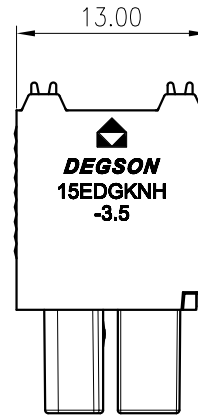
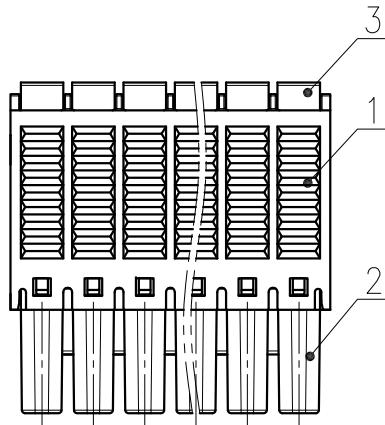
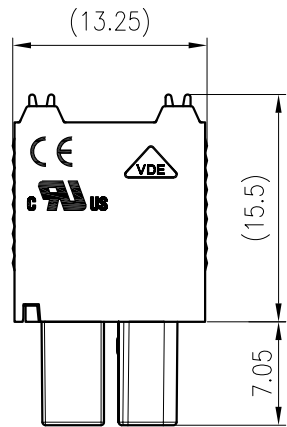
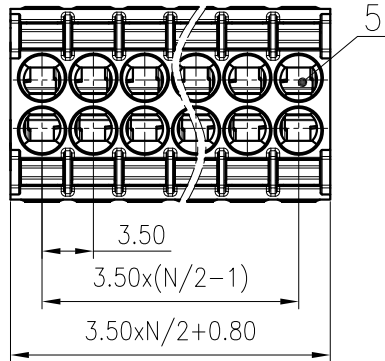


| 未注公差/General tolerances(mm) | | | | | | | | | | | | | 0.1/10 |
|-----------------------------|-------|-------|-------|-------|-------|-------|-------|-------|-------|-------|-------|-------|--------|
| 0 | >3 | >6 | >10 | >18 | >30 | >50 | >80 | >120 | >180 | >250 | >315 | >400 | |
| ~3 | ~6 | ~10 | ~18 | ~30 | ~50 | ~80 | ~120 | ~180 | ~250 | ~315 | ~400 | ~500 | |
| ±0.12 | ±0.18 | ±0.22 | ±0.26 | ±0.31 | ±0.37 | ±0.57 | ±0.80 | ±0.93 | ±1.05 | ±1.15 | ±1.60 | ±2.20 | ±2.50 |



| | | | |
|---|---------|-----------------|-----------|
| 5 | Spring | Stainless steel | |
| 4 | Clamp | Copper alloy | Sn Plated |
| 3 | Button | POM | UL94HB |
| 2 | Cover | PA66 | UL94V-0 |
| 1 | Housing | PA66 | UL94V-0 |

| ITEM | NAME OF PART | MATERIAL | NOTES |
|--|--------------|---------------|---------|
| UL 标准/UL Standard: | | B | C |
| 额定电压/电流/Rated Voltage(V)/Current(A) | | 300/8 | 50/8 |
| IEC 标准/IEC Standard: | | | D |
| 过压类别/Overvoltage Category/污染等级/Pollution Degree | | III/3 | III/2 |
| 额定电压/电流/Rated Voltage(V)/Current(A) | | 200/9.5 | 250/9.5 |
| 额定脉冲电压(KV)/Rate Impulse Voltage(KV) | | 2.5 | 2.5 |
| 线径范围(硬线和软线)/Wire Range(rigid and flexible)(AWG/mm ²) | | 26~16/0.2~1.5 | |
| 间距/Pitch(mm)/线数范围/Poles | | 3.50/N=04~48P | |
| 剥线长度/Stripping length(mm) | | 10 | |
| 使用温度范围/Operating temperature(°C) | | -40~+105 | |
| 符合RoHS环保要求/Conform to RoHS | | Yes | |

| | | | |
|--------------------------|-----------------------------------|------------|-----------|
| MATERIAL: | | SURFACE: | |
| MAT NO.: | 宁波高松电子有限公司 | | |
| STATUS: / | NINGBO DEGSON ELECTRICAL CO., LTD | | |
| APPD: Lan ChH 2021.11.03 | NAME: 15EDGKNH-3.5-XXP-1Y-00A(H) | | |
| CHKD: / | DRAWING NO.: 15EDGKNH-3.5-C01 | | |
| DRFT: Yu JZh 2021.11.03 | REV | TO | |
| ⊕ | SIZE: A4 | SCALE: 2:1 | SHEET 1/1 |

| REV | ECN | DESCRIPTION | DRFT | DATE |
|-----|-----|-------------|------|------|
| | | | | |

Transfer or duplication of this document as well as the utilization or communication of its contents are prohibited unless explicit authorization is granted. Violations will be liable for compensation. All rights reserved for patent, utility, model or designs registrations. 除非给予明确授权，否则禁止转让、复制、利用、交易本文件的内容。侵犯者将承担法律责任。本公司保留对涉及发明、实用新型和外观设计的所有权利。

X-ON Electronics

Largest Supplier of Electrical and Electronic Components

Click to view similar products for [Fixed Terminal Blocks](#) category:

Click to view products by [Degson](#) manufacturer:

Other Similar products are found below :

[MBE-1512](#) [MBE-1520](#) [MBE-154](#) [MBE-156](#) [MBES-156](#) [MH-2512](#) [MHE-132](#) [MHE-163](#) [MI-254 \(35\)](#) [MPT-275](#) [ELM10110G](#) [BA311TU](#)
[BA411SU](#) [MV-254-D](#) [MV-255](#) [MV-493](#) [MVE-252](#) [MVE-253](#) [MVEB-153](#) [1705142](#) [1-796689-8](#) [1841320000](#) [S451](#) [29.007](#) [29.116](#) [30.204](#)
[30.503](#) [30.756](#) [30.853](#) [9872-0-00-15-00-00-33-0](#) [996750](#) [1710052](#) [20020316-G071B01LF](#) [20020327-C061B01LF](#) [29590](#) [30.652](#) [30.710](#)
[30.754](#) [30.757](#) [32.058](#) [37.206](#) [37.208](#) [37.507](#) [37.558](#) [38331-5812](#) [38331-8018](#) [38540-1910](#) [39.002](#) [MBE-1517](#) [MBE-153](#)