

REVISION RECORD

REV	ECN	DESCRIPTION	DRFT	DATE

NOTES:

- 1.DIMENSION SHALL BE INTERPRETED PER ASME Y14.5-2009.
- 2.PITCH:3.5MM ,POLES:N=2-20P
- 3.UL:300V/8A
- 4.VDE:

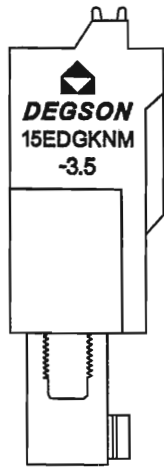
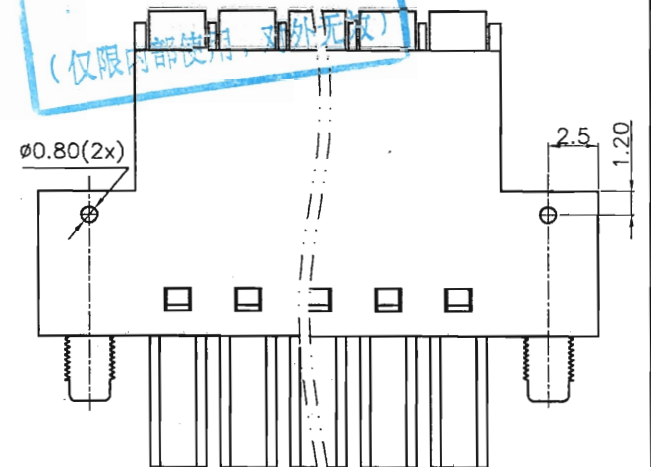
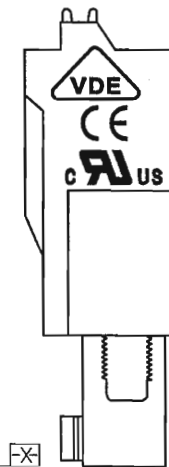
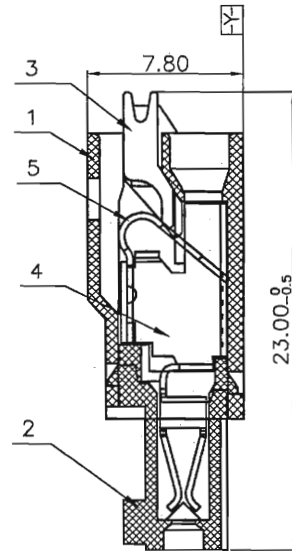
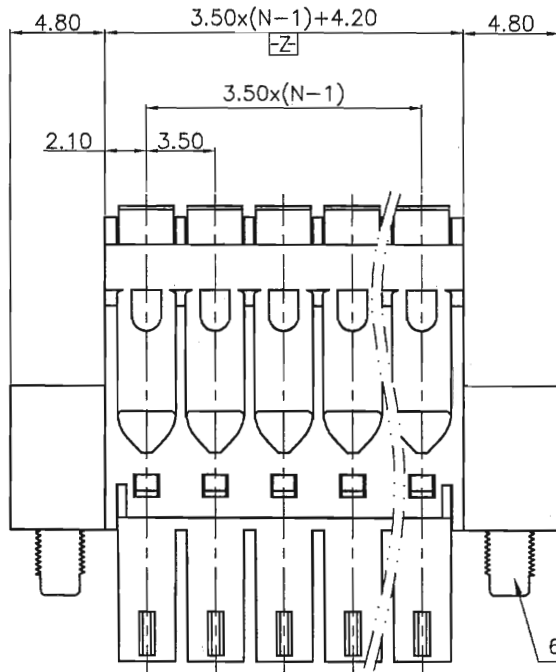
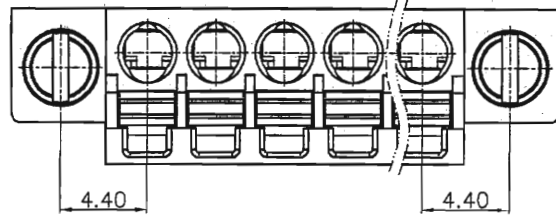
POLLUTION DEGREE	2
OVERVOLTAGE CATEGORY	II
RATED IMPULSE VOLTAGE(KV)	2.5KV
RATED VOLTAGE(V)	250V
RATED CURRENT(A)	8A

PITCH RANGE IN MM		NOMINAL DIMENSION RANGE IN MM					-
TO 6	OVER 6 TO 10	OVER 10 TO 24	TO 30	OVER 30 TO 60	OVER 60 TO 100	OVER 100 TO 150	OVER 150
±0.10	±0.15	±0.25	±0.20	±0.30	±0.50	±0.70	±1.00
							0.05/10

- 5.LOWER LIMIT TEMPERATURE:-40°C
- 6.UPPER LIMIT TEMPERATURE:+105°C
- 7.WIRE RANGE: 28AWG~16AWG,0.2MM<sup>2</sup>~1.0MM<sup>2</sup>
- 8.STRIPPING LENGTH:10MM
- 9.UNDIMENSIONED TOLERANCES:

文管中心  
研发专用  
2015.05.20

(仅限内部使用, 对外无效)



ITEM	NAME OF PART	NO. OF PART	Q'TY	MATERIAL	NOTES
6	2EDG M2.5"-Screw	S000001370(H)	2	Steel	Zn Plated
5	15EDGKN-3.5-Spring	X000001910(H)	XX	Steel	
4	15EDGKN-3.5-Clamp	1103B00010(H)	XX	Bronze	Sn Plated
3	15EDGKN-3.5-Button	1103D0501A(H)	XX	POM	UL94HB
2	15EDGKN-3.5-Cover	1103CYYXXA(H)	1	PA66	UL94V-0
1	15EDGKNG-3.5-Housing	1107AYYXXA(H)	1	PA66	UL94V-0

<table border="1"> <tr> <td>← MM (INCH) →</td> <td>MATERIAL:</td> </tr> <tr> <td>TOLERANCES EXCEPT AS NOTED</td> <td>FINISH:</td> </tr> <tr> <td>.X ± .X' ±</td> <td>PART NO.:</td> </tr> <tr> <td>.XX ± .XX' ±</td> <td>NAME:</td> </tr> <tr> <td>.XXX ± .XXX' ±</td> <td>15EDGKNM-3.5-XXP-1Y-00A(H)</td> </tr> </table>	← MM (INCH) →	MATERIAL:	TOLERANCES EXCEPT AS NOTED	FINISH:	.X ± .X' ±	PART NO.:	.XX ± .XX' ±	NAME:	.XXX ± .XXX' ±	15EDGKNM-3.5-XXP-1Y-00A(H)	<table border="1"> <tr> <td colspan="2">  宁波高正电子有限公司 DEGSON® DEGSON ELECTRONICS CO., LTD                 </td> </tr> <tr> <td>NAME:</td> <td>15EDGKNM-3.5-XXP-1Y-00A(H)</td> </tr> <tr> <td>TITLE:</td> <td>ASSEMBLY DRAWING</td> </tr> <tr> <td>DRAWING NO.:</td> <td>15EDGKNM-3.5-E01</td> </tr> <tr> <td>DO NOT SCALE DRAWING</td> <td>SCALE N/A</td> </tr> </table>	宁波高正电子有限公司 DEGSON® DEGSON ELECTRONICS CO., LTD		NAME:	15EDGKNM-3.5-XXP-1Y-00A(H)	TITLE:	ASSEMBLY DRAWING	DRAWING NO.:	15EDGKNM-3.5-E01	DO NOT SCALE DRAWING	SCALE N/A
← MM (INCH) →	MATERIAL:																				
TOLERANCES EXCEPT AS NOTED	FINISH:																				
.X ± .X' ±	PART NO.:																				
.XX ± .XX' ±	NAME:																				
.XXX ± .XXX' ±	15EDGKNM-3.5-XXP-1Y-00A(H)																				
宁波高正电子有限公司 DEGSON® DEGSON ELECTRONICS CO., LTD																					
NAME:	15EDGKNM-3.5-XXP-1Y-00A(H)																				
TITLE:	ASSEMBLY DRAWING																				
DRAWING NO.:	15EDGKNM-3.5-E01																				
DO NOT SCALE DRAWING	SCALE N/A																				
<table border="1"> <tr> <td>ANGLES ± 1°</td> <td>APPD: <i>Aaron Shears</i></td> </tr> <tr> <td>THIRD ANGLE PROJECTION</td> <td>CHKD: <i>Xm 5/18/14</i></td> </tr> <tr> <td>DRFT: XLM 10/16/13"</td> <td>REV TO</td> </tr> <tr> <td></td> <td>SHEET 1/1</td> </tr> </table>	ANGLES ± 1°	APPD: <i>Aaron Shears</i>	THIRD ANGLE PROJECTION	CHKD: <i>Xm 5/18/14</i>	DRFT: XLM 10/16/13"	REV TO		SHEET 1/1													
ANGLES ± 1°	APPD: <i>Aaron Shears</i>																				
THIRD ANGLE PROJECTION	CHKD: <i>Xm 5/18/14</i>																				
DRFT: XLM 10/16/13"	REV TO																				
	SHEET 1/1																				

## X-ON Electronics

Largest Supplier of Electrical and Electronic Components

*Click to view similar products for [Pluggable Terminal Blocks](#) category:*

*Click to view products by [Degson](#) manufacturer:*

Other Similar products are found below :

[57.510.0053](#) [721-104/026-047](#) [721-204/026-045](#) [MC 1.5/ 6-ST-3.5 GY AU](#) [ET02015000J0G](#) [860505](#) [860516](#) [860810](#) [GBPACX-12](#)  
[93.731.4953.0](#) [PVP03-3,50](#) [PVS02-5,00](#) [1-1986160-3](#) [1377680000](#) [1531000000](#) [1546228-5](#) [ELFP03110](#) [ELFP10210](#) [ELFT07250](#)  
[ELVD12100](#) [ELVF09400](#) [ELXH071G0E](#) [1725220000](#) [1760336](#) [1855000000](#) [19346](#) [1946309](#) [1973592](#) [19892](#) [25.320.4053.1](#) [25.320.4553.9](#)  
[25.320.4753.1](#) [25.320.5453.1](#) [25.340.0353.1](#) [25.340.1053.1](#) [25.345.3553.0M001](#) [25.640.3553.1](#) [SH02-5,08](#) [SH06-3,81](#) [SH08-5,08](#) [SH08-](#)  
[5,08-K](#) [SH12-5,08](#) [SHS04-5,00](#) [30.303](#) [30.305](#) [30.306](#) [PHP09-5,08](#) [25.193.0453.0](#) [25.320.4653.1](#) [25.332.2453.1](#)