

REVISION RECORD

REV	ECN	DESCRIPTION	DRFT	DATE

- NOTES:
 1.DIMENSION SHALL BE INTERPRETED PER ASME Y14.5-2009.
 2.PITCH:3.5MM ,POLES:N=2-20P
 3.UL:300V/8A
 4.VDE:

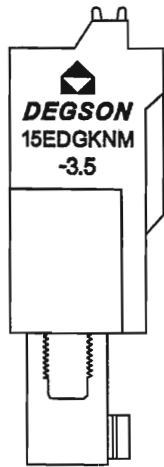
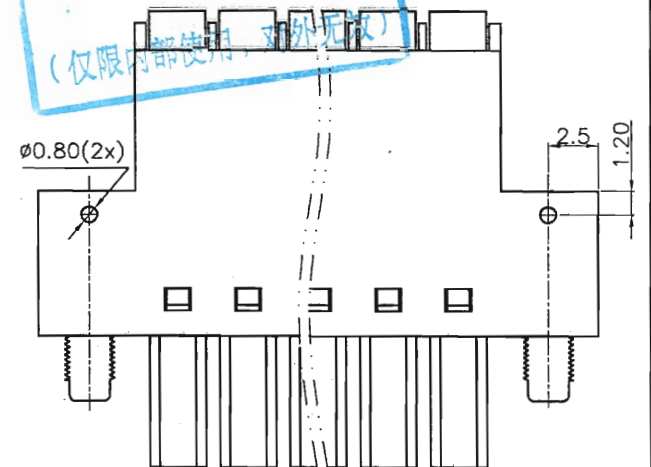
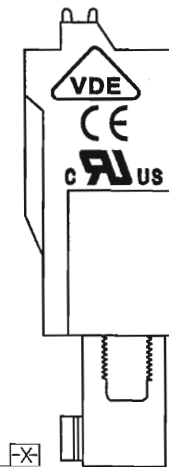
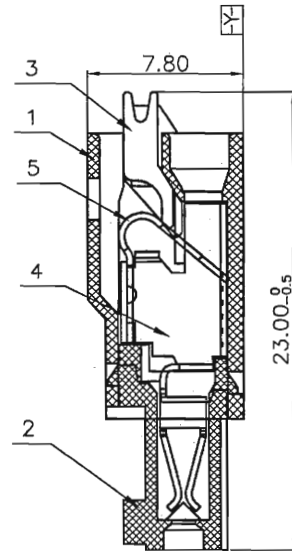
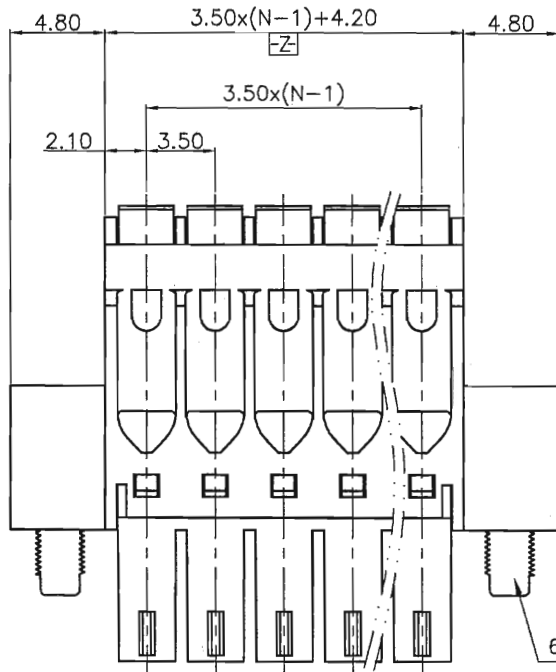
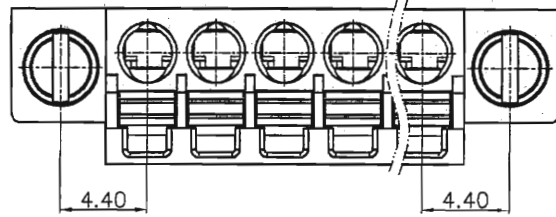
POLLUTION DEGREE	2
OVERVOLTAGE CATEGORY	II
RATED IMPULSE VOLTAGE(KV)	2.5KV
RATED VOLTAGE(V)	250V
RATED CURRENT(A)	8A

PITCH RANGE IN MM		NOMINAL DIMENSION RANGE IN MM					-
TO 6	OVER 6 TO 10	OVER 10 TO 24	TO 30	OVER 30 TO 60	OVER 60 TO 100	OVER 100 TO 150	OVER 150
±0.10	±0.15	±0.25	±0.20	±0.30	±0.50	±0.70	±1.00
							0.05/10

- 5.LOWER LIMIT TEMPERATURE:-40℃
 6.UPPER LIMIT TEMPERATURE:+105℃
 7.WIRE RANGE: 28AWG~16AWG,0.2MM²~1.0MM²
 8.STRIPPING LENGTH:10MM
 9.UNDIMENSIONED TOLERANCES:

文管中心
研发专用
2015.05.20

(仅限内部使用, 对外无效)



ITEM	NAME OF PART	NO. OF PART	Q'TY	MATERIAL	NOTES
6	2EDG M2.5"-Screw	S000001370(H)	2	Steel	Zn Plated
5	15EDGKN-3.5-Spring	X000001910(H)	XX	Steel	
4	15EDGKN-3.5-Clamp	1103B00010(H)	XX	Bronze	Sn Plated
3	15EDGKN-3.5-Button	1103D0501A(H)	XX	POM	UL94HB
2	15EDGKN-3.5-Cover	1103CYYXXA(H)	1	PA66	UL94V-0
1	15EDGKN-3.5-Housing	1107AYYXXA(H)	1	PA66	UL94V-0

<table border="1"> <tr> <td>← MM (INCH) →</td> <td>MATERIAL:</td> </tr> <tr> <td>TOLERANCES EXCEPT AS NOTED</td> <td>FINISH:</td> </tr> <tr> <td>.X ± .X' ±</td> <td>PART NO.:</td> </tr> <tr> <td>.XX ± .XX' ±</td> <td>NAME:</td> </tr> <tr> <td>.XXX ± .XXX' ±</td> <td>15EDGKNM-3.5-XXP-1Y-00A(H)</td> </tr> </table>	← MM (INCH) →	MATERIAL:	TOLERANCES EXCEPT AS NOTED	FINISH:	.X ± .X' ±	PART NO.:	.XX ± .XX' ±	NAME:	.XXX ± .XXX' ±	15EDGKNM-3.5-XXP-1Y-00A(H)	<table border="1"> <tr> <td>APPD: <i>Aaron Shears</i></td> <td>TITLE: ASSEMBLY DRAWING</td> <td>REV</td> <td>TO</td> </tr> <tr> <td>CHKD: <i>Xm5/8/14</i></td> <td>DRAWING NO.: 15EDGKNM-3.5-E01</td> <td></td> <td></td> </tr> <tr> <td>DRFT: XLM 10/16/13"</td> <td>DO NOT SCALE DRAWING</td> <td>SCALE</td> <td>N/A</td> </tr> <tr> <td></td> <td>SHEET</td> <td></td> <td>1/1</td> </tr> </table>	APPD: <i>Aaron Shears</i>	TITLE: ASSEMBLY DRAWING	REV	TO	CHKD: <i>Xm5/8/14</i>	DRAWING NO.: 15EDGKNM-3.5-E01			DRFT: XLM 10/16/13"	DO NOT SCALE DRAWING	SCALE	N/A		SHEET		1/1
← MM (INCH) →	MATERIAL:																										
TOLERANCES EXCEPT AS NOTED	FINISH:																										
.X ± .X' ±	PART NO.:																										
.XX ± .XX' ±	NAME:																										
.XXX ± .XXX' ±	15EDGKNM-3.5-XXP-1Y-00A(H)																										
APPD: <i>Aaron Shears</i>	TITLE: ASSEMBLY DRAWING	REV	TO																								
CHKD: <i>Xm5/8/14</i>	DRAWING NO.: 15EDGKNM-3.5-E01																										
DRFT: XLM 10/16/13"	DO NOT SCALE DRAWING	SCALE	N/A																								
	SHEET		1/1																								

H
G
F
E
D
C
B
A

H
G
F
E
D
C
B
A

X-ON Electronics

Largest Supplier of Electrical and Electronic Components

Click to view similar products for [Pluggable Terminal Blocks](#) category:

Click to view products by [Degson](#) manufacturer:

Other Similar products are found below :

[57.510.0053](#) [MC 1.5/ 6-ST-3.5 GY AU](#) [ET02015000J0G](#) [734-104](#) [734-302](#) [860505](#) [860516](#) [860810](#) [GBPACX-12](#) [93.731.4953.0](#) [PV05-5,08-K](#) [PVP03-3,50](#) [PVP04-3,50](#) [PVS02-5,00](#) [1-1986160-3](#) [1377680000](#) [1531000000](#) [1546228-5](#) [ELFP03110](#) [ELFT07250](#) [ELVD12100](#) [ELVF09400](#) [ELVP03100](#) [ELXH071G0E](#) [1700410](#) [1702246](#) [1705229](#) [1714537](#) [1717806](#) [1719600](#) [1728941](#) [1734692](#) [1734795](#) [1740291](#) [1740628](#) [1746952](#) [1750207](#) [1752865](#) [1754115](#) [1754144](#) [1756913](#) [1760051](#) [1760336](#) [1765111](#) [1776388](#) [1777701](#) [1783410](#) [1800227](#) [1801080](#) [1809474](#)