

REVISION RECORD

REV	ECN	DESCRIPTION	DRFT	DATE

NOTES:

- 1.DIMENSION SHALL BE INTERPRETED PER ASME Y14.5-2009.
- 2.PITCH:3.5MM ,POLES:N=2-20P
- 3.UL:300V/8A
- 4.VDE:

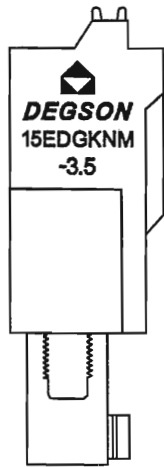
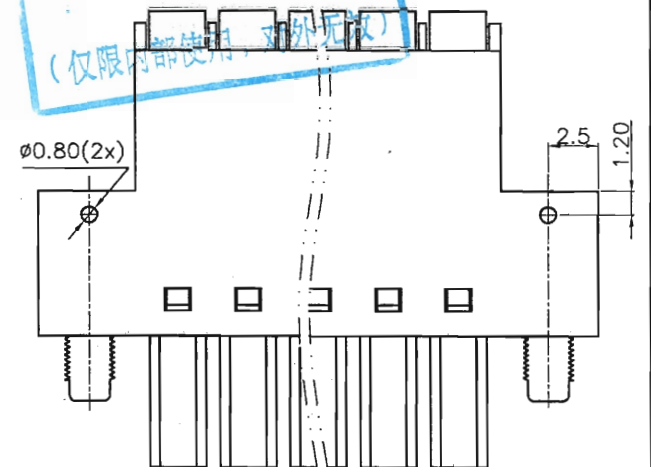
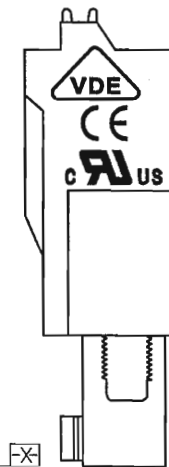
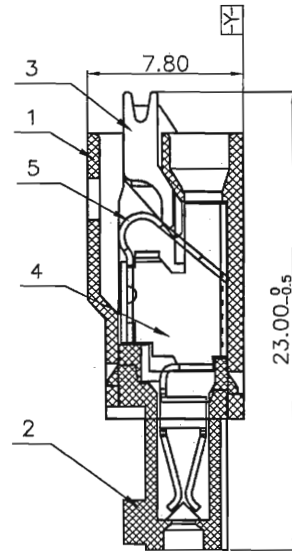
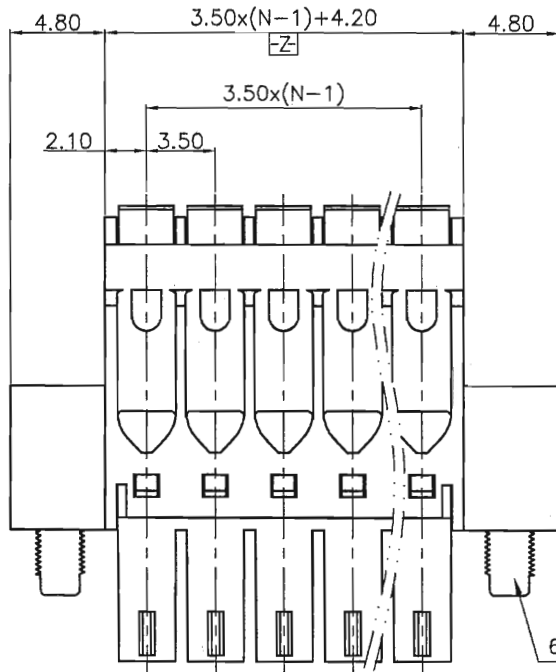
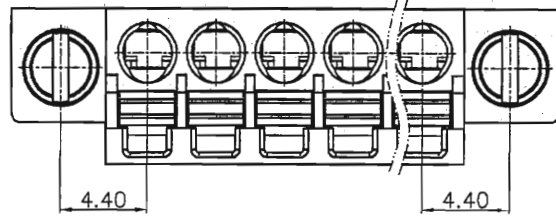
POLLUTION DEGREE	2
OVERVOLTAGE CATEGORY	II
RATED IMPULSE VOLTAGE(KV)	2.5KV
RATED VOLTAGE(V)	250V
RATED CURRENT(A)	8A

PITCH RANGE IN MM		NOMINAL DIMENSION RANGE IN MM							
TO 6	OVER 6 TO 10	TO 10	OVER 10 TO 24	TO 30	OVER 30 TO 60	OVER 60 TO 100	OVER 100 TO 150	OVER 150	—
±0.10	±0.15	±0.25	±0.20	±0.30	±0.50	±0.70	±1.00	0.05/10	—

- 5.LOWER LIMIT TEMPERATURE:-40°C
- 6.UPPER LIMIT TEMPERATURE:+105°C
- 7.WIRE RANGE: 28AWG~16AWG,0.2MM²~1.0MM²
- 8.STRIPPING LENGTH:10MM
- 9.UNDIMENSIONED TOLERANCES:

文管中心
研发专用
2015.05.20

(仅限内部使用, 对外无效)



ITEM	NAME OF PART	NO. OF PART	Q'TY	MATERIAL	NOTES
6	2EDG M2.5"-Screw	S000001370(H)	2	Steel	Zn Plated
5	15EDGKN-3.5-Spring	X000001910(H)	XX	Steel	
4	15EDGKN-3.5-Clamp	1103B00010(H)	XX	Bronze	Sn Plated
3	15EDGKN-3.5-Button	1103D0501A(H)	XX	POM	UL94HB
2	15EDGKN-3.5-Cover	1103CYYXXA(H)	1	PA66	UL94V-0
1	15EDGKN-3.5-Housing	1107AYYXXA(H)	1	PA66	UL94V-0

<p>← MM (INCH) →</p> <p>TOLERANCES EXCEPT AS NOTED</p> <p>.X ± .X' ± .XX ± .XX' ± .XXX ± .XXX' ±</p> <p>ANGLES ± 1°</p> <p>THIRD ANGLE PROJECTION</p>	<p>MATERIAL:</p> <p>FINISH:</p> <p>PART NO.:</p> <p>APPD: <i>Aaron Shers</i></p> <p>CHKD: <i>Xm 5/18/14</i></p> <p>DRFT: XLM 10/16/13"</p>	<p>DEGSON® 宁波高正电子有限公司 DEGSON ELECTRONICS CO., LTD</p> <p>NAME: 15EDGKNM-3.5-XXP-1Y-00A(H)</p> <p>TITLE: ASSEMBLY DRAWING</p> <p>DRAWING NO.: 15EDGKNM-3.5-E01</p> <p>DO NOT SCALE DRAWING</p>	<p>REV TO</p> <p>SHEET 1/1</p>
---	--	---	--------------------------------

X-ON Electronics

Largest Supplier of Electrical and Electronic Components

Click to view similar products for [Pluggable Terminal Blocks](#) category:

Click to view products by [Degson](#) manufacturer:

Other Similar products are found below :

[57.510.0053](#) [721-104/026-047](#) [721-204/026-045](#) [MC 1.5/ 6-ST-3.5 GY AU](#) [ET02015000J0G](#) [860505](#) [860516](#) [860810](#) [GBPACX-12](#)
[93.731.4953.0](#) [PVP03-3,50](#) [PVS02-5,00](#) [1-1986160-3](#) [1377680000](#) [1531000000](#) [1546228-5](#) [ELFP03110](#) [ELFP10210](#) [ELFT07250](#)
[ELVD12100](#) [ELVF09400](#) [ELXH071G0E](#) [1725220000](#) [1760336](#) [1855000000](#) [19346](#) [1946309](#) [1973592](#) [19892](#) [25.320.4053.1](#) [25.320.4553.9](#)
[25.320.4753.1](#) [25.320.5453.1](#) [25.340.0353.1](#) [25.340.1053.1](#) [25.345.3553.0M001](#) [25.640.3553.1](#) [SH02-5,08](#) [SH06-3,81](#) [SH08-5,08](#) [SH08-](#)
[5,08-K](#) [SH12-5,08](#) [SHS04-5,00](#) [30.303](#) [30.305](#) [30.306](#) [PHP09-5,08](#) [25.193.0453.0](#) [25.320.4653.1](#) [25.332.2453.1](#)