

REVISION RECORD

| REV | ECN | DESCRIPTION | DRFT | DATE |
|-----|-----|-------------|------|------|
| | | | | |

NOTES:

- 1.DIMENSION SHALL BE INTERPRETED PER ASME Y14.5-2009.
- 2.PITCH:3.5MM ,POLES:N=2-20P
- 3.UL:300V/8A
- 4.VDE:

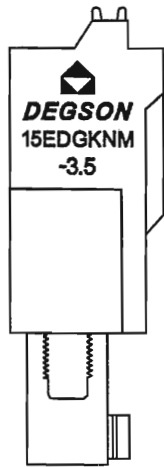
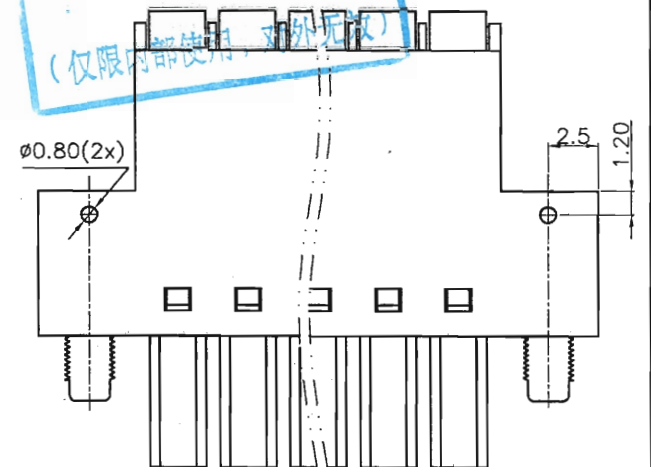
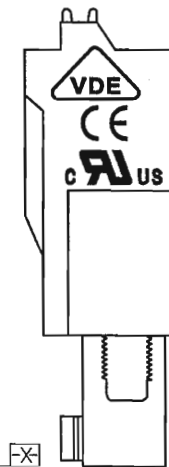
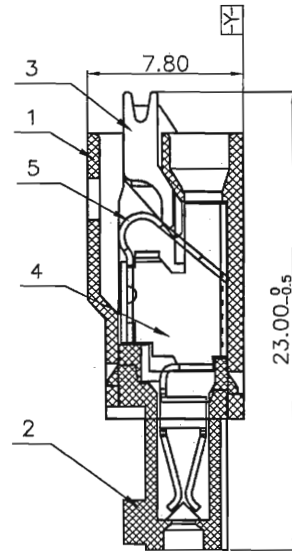
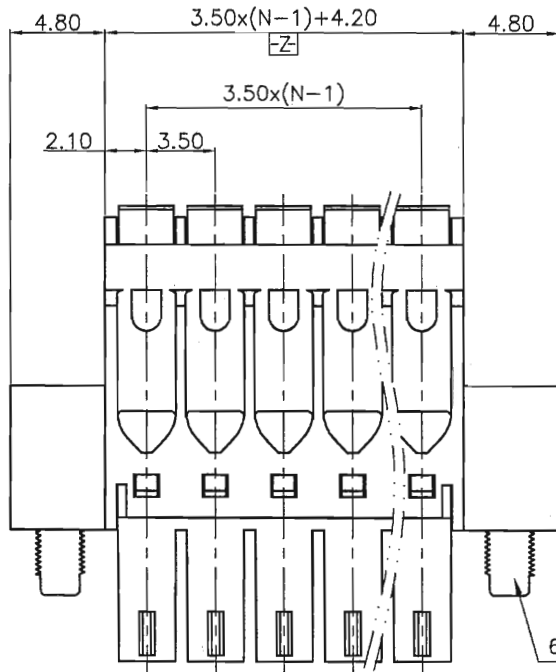
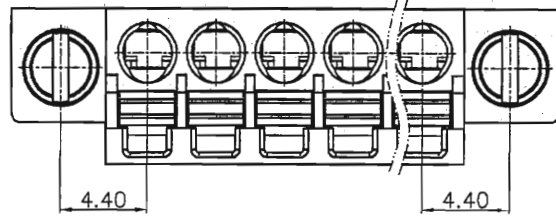
| | |
|---------------------------|-------|
| POLLUTION DEGREE | 2 |
| OVERVOLTAGE CATEGORY | II |
| RATED IMPULSE VOLTAGE(KV) | 2.5KV |
| RATED VOLTAGE(V) | 250V |
| RATED CURRENT(A) | 8A |

| PITCH RANGE IN MM | | NOMINAL DIMENSION RANGE IN MM | | | | - | | | |
|-------------------|--------------|-------------------------------|---------------|-------|---------------|----------------|-----------------|----------|---|
| TO 6 | OVER 6 TO 10 | TO 10 | OVER 10 TO 24 | TO 30 | OVER 30 TO 60 | OVER 60 TO 100 | OVER 100 TO 150 | OVER 150 | ∩ |
| ±0.10 | ±0.15 | ±0.25 | ±0.20 | ±0.30 | ±0.50 | ±0.70 | ±1.00 | 0.05/10 | ∇ |

- 5.LOWER LIMIT TEMPERATURE:-40℃
- 6.UPPER LIMIT TEMPERATURE:+105℃
- 7.WIRE RANGE: 28AWG~16AWG,0.2MM²~1.0MM²
- 8.STRIPPING LENGTH:10MM
- 9.UNDIMENSIONED TOLERANCES:

文管中心
研发专用
2015.05.20

(仅限内部使用, 对外无效)



| ITEM | NAME OF PART | NO. OF PART | Q'TY | MATERIAL | NOTES |
|------|---------------------|---------------|------|----------|-----------|
| 6 | 2EDG M2.5"-Screw | S000001370(H) | 2 | Steel | Zn Plated |
| 5 | 15EDGKN-3.5-Spring | X000001910(H) | XX | Steel | |
| 4 | 15EDGKN-3.5-Clamp | 1103B00010(H) | XX | Bronze | Sn Plated |
| 3 | 15EDGKN-3.5-Button | 1103D0501A(H) | XX | POM | UL94HB |
| 2 | 15EDGKN-3.5-Cover | 1103CYYXXA(H) | 1 | PA66 | UL94V-0 |
| 1 | 15EDGKN-3.5-Housing | 1107AYYXXA(H) | 1 | PA66 | UL94V-0 |

| | | | | | | | | | | | | | | | | | | | | | | | |
|--|--------------------------|-----------|----------------------------|---------|----------------|-----------|-----------------|--------------------------|------------------|-----------------------|-------------|---------------------|------------------------|----------------------|---|---|--|----------------------------------|--|-------------------------|--------|-------------------------------|-----------|
| <table border="1"> <tr> <td>← MM (INCH) →</td> <td>MATERIAL:</td> </tr> <tr> <td>TOLERANCES EXCEPT AS NOTED</td> <td>FINISH:</td> </tr> <tr> <td>.X ± .X' ±</td> <td>PART NO.:</td> </tr> <tr> <td>.XX ± .XX' ±</td> <td>APPD: <i>Aaron Shers</i></td> </tr> <tr> <td>.XXX ± .XXX' ±</td> <td>CHKD: <i>Xm5/8/14</i></td> </tr> <tr> <td>ANGLES ± 1°</td> <td>DRFT: XLM 10/16/13"</td> </tr> <tr> <td>THIRD ANGLE PROJECTION</td> <td>DO NOT SCALE DRAWING</td> </tr> </table> | ← MM (INCH) → | MATERIAL: | TOLERANCES EXCEPT AS NOTED | FINISH: | .X ± .X' ± | PART NO.: | .XX ± .XX' ± | APPD: <i>Aaron Shers</i> | .XXX ± .XXX' ± | CHKD: <i>Xm5/8/14</i> | ANGLES ± 1° | DRFT: XLM 10/16/13" | THIRD ANGLE PROJECTION | DO NOT SCALE DRAWING | <table border="1"> <tr> <td colspan="2"> 宁波高正电子有限公司 DEGSON® DEGSON ELECTRONICS CO., LTD </td> </tr> <tr> <td colspan="2">NAME: 15EDGKNM-3.5-XXP-1Y-00A(H)</td> </tr> <tr> <td>TITLE: ASSEMBLY DRAWING</td> <td>REV TO</td> </tr> <tr> <td>DRAWING NO.: 15EDGKNM-3.5-E01</td> <td>SHEET 1/1</td> </tr> </table> | 宁波高正电子有限公司 DEGSON® DEGSON ELECTRONICS CO., LTD | | NAME: 15EDGKNM-3.5-XXP-1Y-00A(H) | | TITLE: ASSEMBLY DRAWING | REV TO | DRAWING NO.: 15EDGKNM-3.5-E01 | SHEET 1/1 |
| ← MM (INCH) → | MATERIAL: | | | | | | | | | | | | | | | | | | | | | | |
| TOLERANCES EXCEPT AS NOTED | FINISH: | | | | | | | | | | | | | | | | | | | | | | |
| .X ± .X' ± | PART NO.: | | | | | | | | | | | | | | | | | | | | | | |
| .XX ± .XX' ± | APPD: <i>Aaron Shers</i> | | | | | | | | | | | | | | | | | | | | | | |
| .XXX ± .XXX' ± | CHKD: <i>Xm5/8/14</i> | | | | | | | | | | | | | | | | | | | | | | |
| ANGLES ± 1° | DRFT: XLM 10/16/13" | | | | | | | | | | | | | | | | | | | | | | |
| THIRD ANGLE PROJECTION | DO NOT SCALE DRAWING | | | | | | | | | | | | | | | | | | | | | | |
| 宁波高正电子有限公司 DEGSON® DEGSON ELECTRONICS CO., LTD | | | | | | | | | | | | | | | | | | | | | | | |
| NAME: 15EDGKNM-3.5-XXP-1Y-00A(H) | | | | | | | | | | | | | | | | | | | | | | | |
| TITLE: ASSEMBLY DRAWING | REV TO | | | | | | | | | | | | | | | | | | | | | | |
| DRAWING NO.: 15EDGKNM-3.5-E01 | SHEET 1/1 | | | | | | | | | | | | | | | | | | | | | | |

X-ON Electronics

Largest Supplier of Electrical and Electronic Components

Click to view similar products for [Pluggable Terminal Blocks](#) category:

Click to view products by [Degson](#) manufacturer:

Other Similar products are found below :

[57.510.0053](#) [MC 1.5/ 6-ST-3.5 GY AU](#) [ET02015000J0G](#) [734-104](#) [734-302](#) [860505](#) [860516](#) [860810](#) [GBPACX-12](#) [93.731.4953.0](#) [PV05-5,08-K](#) [PVP03-3,50](#) [PVP04-3,50](#) [PVS02-5,00](#) [1-1986160-3](#) [1377680000](#) [1531000000](#) [1546228-5](#) [ELFP03110](#) [ELFT07250](#) [ELVD12100](#) [ELVF09400](#) [ELVP03100](#) [ELXH071G0E](#) [1700410](#) [1702246](#) [1705229](#) [1714537](#) [1717806](#) [1719600](#) [1728941](#) [1734692](#) [1734795](#) [1740291](#) [1740628](#) [1746952](#) [1750207](#) [1752865](#) [1754115](#) [1754144](#) [1756913](#) [1760051](#) [1760336](#) [1765111](#) [1776388](#) [1777701](#) [1783410](#) [1800227](#) [1801080](#) [1809474](#)