

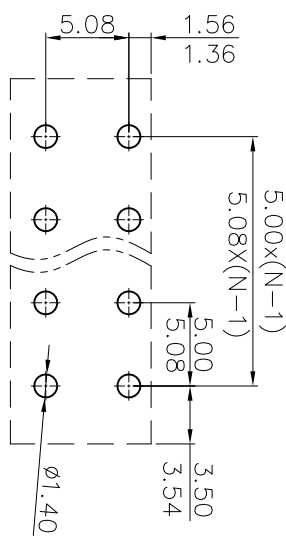
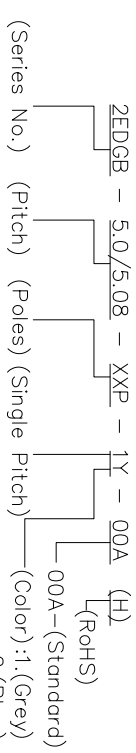
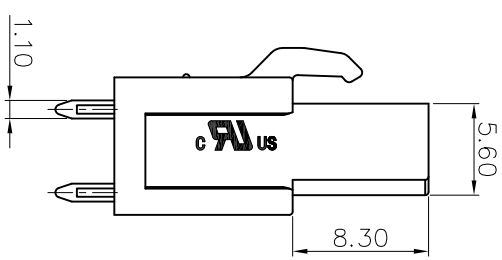
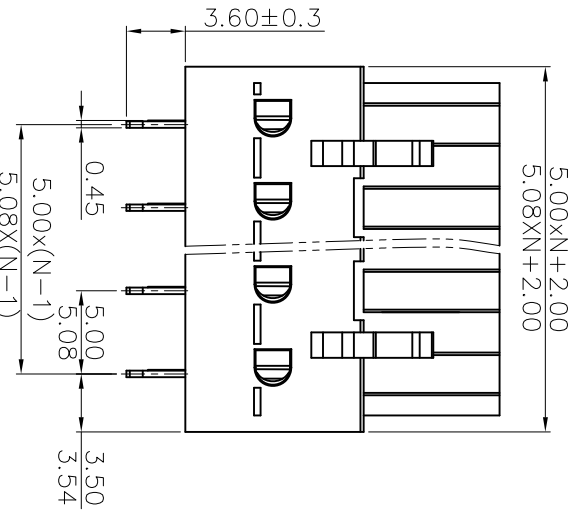
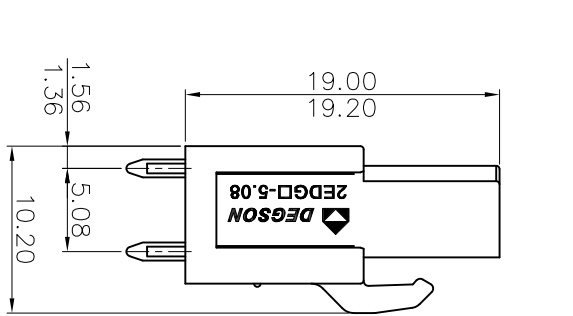
- NOTES1:
- UL Standard
 - Rated voltage/current : 300V / 15A
 - Withstanding voltage : AC1600V/1Min.
- IEC Standard
- | | |
|--------------------------|-------|
| Pollution degree | 2 |
| Overvoltage category | III |
| Rate impulse voltage(KV) | 4.0KV |
| Rate voltage(V) | 320V |
| Rate current(A) | 20A |

NOTES2:

- Dimension shall be interpreted per ASME Y14.5-2009
- Pitch : 5.0/5.08mm, Poles : N=02~24P
- Operating temperature: -40°C~+105°C
- Undimensioned tolerances:

mm	Nominal Dimension		Range		D
	Over	Under	Over	Under	
To	6	To	30	60	0.1/10
6	To	10	To	100	≤
	10	24	To	150	
		30	To	150	
		60	To	150	
		100	To	150	
		150	To	150	
		±0.15	±0.20	±0.30	±1.00
		±0.30	±0.50	±0.70	±1.00
		±1.00	±1.30	±1.50	±2.0

5.RoHS Compliance



DETACHED LISTS	
PART NO.:	/
APPD:	/
CHKD:	/
DRFT:	/
THIRD ANGLE PROJECTION	
NAME:	DEGSON NINGBO DEGSON ELECTRICAL CO., LTD 宁波高松电子有限公司
TITLE:	CUSTOMER DRAWING
DRAWING NO.:	/
REV	DO
SHEET	1/1
SCALE	1:1

REVISION RECORD				
REV	ECN	DESCRIPTION	DRFT	DATE

A 8 7 6 5 4 3 2 1

X-ON Electronics

Largest Supplier of Electrical and Electronic Components

Click to view similar products for [Pluggable Terminal Blocks](#) category:

Click to view products by [Degson](#) manufacturer:

Other Similar products are found below :

[57.510.0053](#) [721-104/026-047](#) [721-204/026-045](#) [MC 1.5/ 6-ST-3.5 GY AU](#) [ET02015000J0G](#) [860505](#) [860516](#) [860810](#) [GBPACX-12](#)
[93.731.4953.0](#) [PVP03-3,50](#) [PVS02-5,00](#) [1-1986160-3](#) [1377680000](#) [1531000000](#) [1546228-5](#) [ELFP03110](#) [ELFP10210](#) [ELFT07250](#)
[ELVD12100](#) [ELVF09400](#) [ELXH071G0E](#) [1725220000](#) [1760336](#) [1855000000](#) [19346](#) [1946309](#) [1973592](#) [19892](#) [25.320.4053.1](#) [25.320.4553.9](#)
[25.320.4753.1](#) [25.320.5453.1](#) [25.340.0353.1](#) [25.340.1053.1](#) [25.345.3553.0M001](#) [25.640.3553.1](#) [SH02-5,08](#) [SH06-3,81](#) [SH08-5,08](#) [SH08-](#)
[5,08-K](#) [SH12-5,08](#) [SHS04-5,00](#) [30.303](#) [30.305](#) [30.306](#) [PHP09-5,08](#) [25.193.0453.0](#) [25.320.4653.1](#) [25.332.2453.1](#)