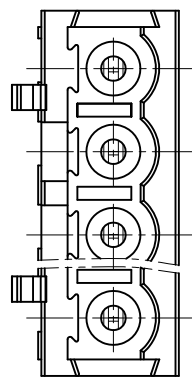
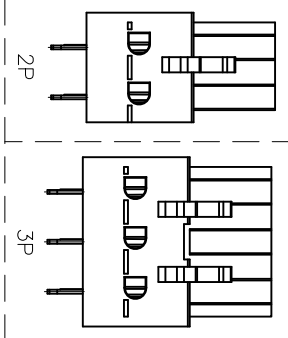


REVISION RECORD			
REV	ECN	DESCRIPTION	DRFT DATE



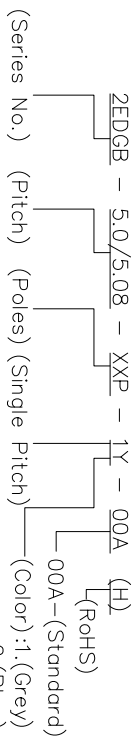
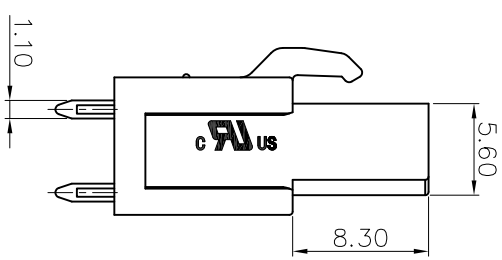
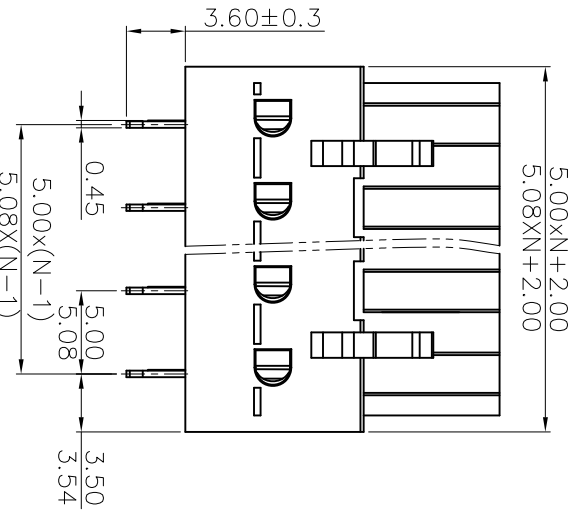
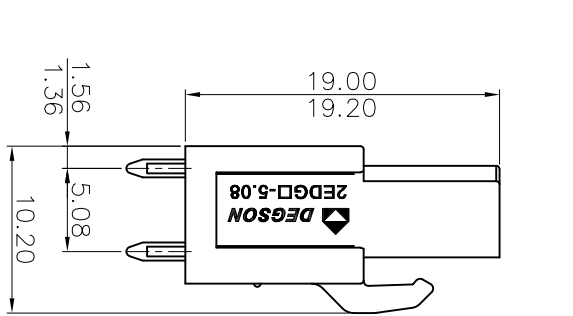
- NOTES1:
- UL Standard
  - Rated voltage/current : 300V / 15A
  - Withstanding voltage : AC1600V/1Min.
- IEC Standard
- |                          |       |
|--------------------------|-------|
| Pollution degree         | 2     |
| Overvoltage category     | III   |
| Rate impulse voltage(KV) | 4.0KV |
| Rate voltage(V)          | 320V  |
| Rate current(A)          | 20A   |

NOTES2:

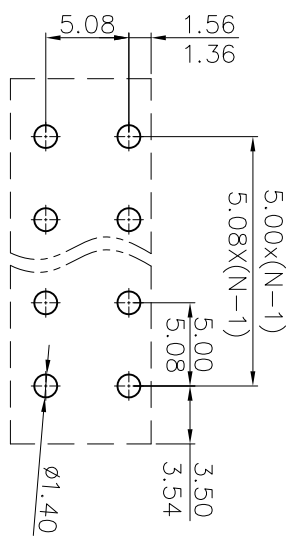
- Dimension shall be interpreted per ASME Y14.5-2009
- Pitch : 5.0/5.08mm, Poles : N=02~24P
- Operating temperature: -40°C~+105°C
- Undimensioned tolerances:

mm	Nominal Dimension		Range		D
	Over	To	Over	To	
6	To	10	To	30	±0.1/0
10	To	24	To	60	±0.15
150	To	100	To	150	±0.70
±0.15	±0.20	±0.30	±0.30	±0.50	±1.00 ±1.30 ±2

5.RoHS Compliance



- (Series No.) (Pitch) (Poles) (Single Pitch) (Color):
- (Grey)
  - (Blue)
  - (Black)
  - (Green)
  - (Orange)
  - (Red)
  - (Transparent)
  - (Yellow)
  - (White)



DETACHED LISTS			
PART NO.:	/	NAME:	2EDGB-5.0/5.08-XXP-1Y-00A(H)
APPD:	/	CHKD:	/
DRFT:	/	TITLE:	CUSTOMER DRAWING
THIRD ANGLE PROJECTION		DRAWING NO.:	/
		DO NOT SCALE DRAWING	SCALE
			1:1

**DEGSON**  
NINGBO DEGSON ELECTRICAL CO., LTD  
宁波高松电子有限公司

## X-ON Electronics

Largest Supplier of Electrical and Electronic Components

*Click to view similar products for [Pluggable Terminal Blocks](#) category:*

*Click to view products by [Degson](#) manufacturer:*

Other Similar products are found below :

[57.510.0053](#) [721-104/026-047](#) [721-204/026-045](#) [MC 1.5/ 6-ST-3.5 GY AU](#) [ET02015000J0G](#) [860505](#) [860516](#) [860810](#) [GBPACX-12](#)  
[93.731.4953.0](#) [PVP03-3,50](#) [PVS02-5,00](#) [1-1986160-3](#) [1377680000](#) [1531000000](#) [1546228-5](#) [ELFP03110](#) [ELFP10210](#) [ELFT07250](#)  
[ELVD12100](#) [ELVF09400](#) [ELXH071G0E](#) [1725220000](#) [1760336](#) [1855000000](#) [19346](#) [1946309](#) [1973592](#) [19892](#) [25.320.4053.1](#) [25.320.4553.9](#)  
[25.320.4753.1](#) [25.320.5453.1](#) [25.340.0353.1](#) [25.340.1053.1](#) [25.345.3553.0M001](#) [25.640.3553.1](#) [SH02-5,08](#) [SH06-3,81](#) [SH08-5,08](#) [SH08-](#)  
[5,08-K](#) [SH12-5,08](#) [SHS04-5,00](#) [30.303](#) [30.305](#) [30.306](#) [PHP09-5,08](#) [25.193.0453.0](#) [25.320.4653.1](#) [25.332.2453.1](#)