

REVISION RECORD			
REV	ECN	DESCRIPTION	DATE

H

NOTE1:

- 1. Rated Voltage/Current : 300V / 10A
- 2. Withstanding Voltage : AC1600V/1min.
- 3. Wire Range : 26~12AWG

IEC Standard

2	III	4KV	320V	20A
Pollution Degree	Overvoltage Category	Rate Impulse Voltage(kV)	Rate Voltage(V)	Rate Current(A)

2. Wire Range : 0.2~2.5mm²

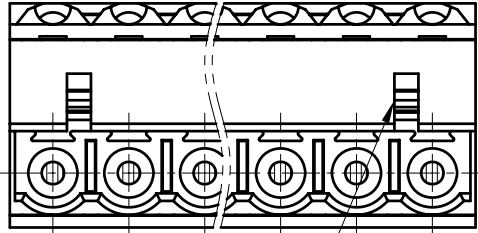
NOTE2:

- 1. Dimension shall be interpreted per ASME Y14.5-2009
- 2. Pitch : 5.00/5.08mm, Poles : N=02-24P
- 3. Stripping length : 9~10mm
- 4. Operating temperature : -40°C~+105°C
- 5. Undimensioned Tolerances:

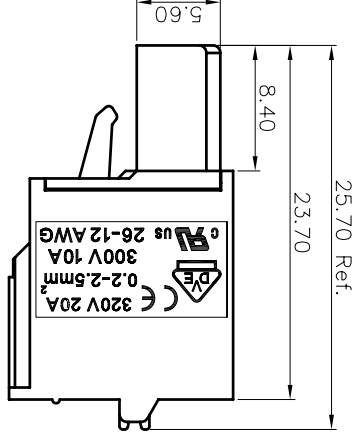
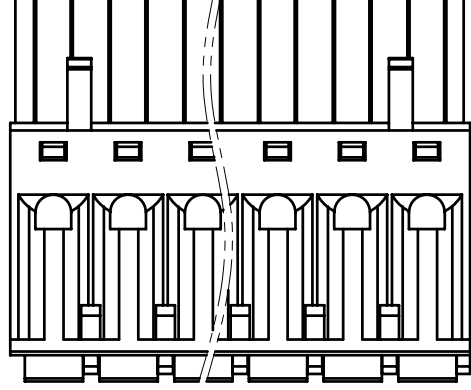
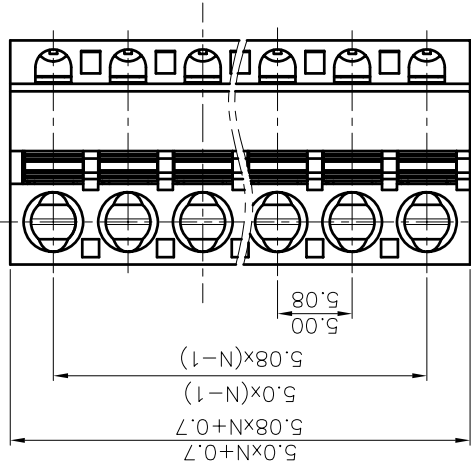
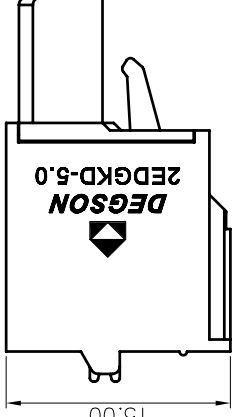
Pitch range in mm	Nominal dimension range	mm	Over	Under
±0.15	±0.20	±0.30	±0.50	±1.00
6 TO	10 TO	30 TO	60 TO	100 TO
6 TO	10 TO	30 TO	60 TO	100 TO
0.1/10	0.1/10	0.1/10	0.1/10	0.1/10

6. RoHS Compliance

ZEDGKD - 5.0/5.08 - XXP - 1Y - 00A (H)
 (Series No.) (Pitch) (Poles) (Single Pitch) (Color): 1.(Grey)
 2.(Blue) 3.(Black) 4.(Green) 5.(Orange) 6.(Red) 7.(Transparent) 8.(Yellow) 9.(White)
 (Rohs) 00A-(Standard)

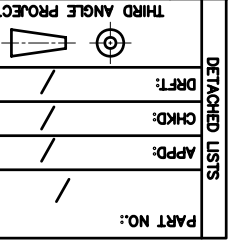


2P With one hook on the left



23.70 Ref.

PART NO.:	NINGBO DEGSON ELECTRICAL CO., LTD	
	宁波高松电子有限公司	
APPD:	/	
CHKD:	/	
DRFT:	/	
NAME:	ZEDGKD-5.0/5.08-XXP-1Y-00A(H)	
TITLE:	CUSTOMER DRAWING	
REV	DO	1/1
SHEET	/	
SCALE	1:1	
DO NOT SCALE DRAWING		



A

B

C

D

E

F

G

H

A

B

C

D

E

F

G

H

8

7

6

5

4

3

2

1

X-ON Electronics

Largest Supplier of Electrical and Electronic Components

Click to view similar products for [Pluggable Terminal Blocks](#) category:

Click to view products by [Degson](#) manufacturer:

Other Similar products are found below :

[57.404.7553](#) [57.504.0053.7](#) [57.510.0053](#) [57.910.6153](#) [01.112.1453](#) [CTB932VE/6](#) [MC 1.5/ 6-ST-3.5 GY AU](#) [ET02015000J0G](#) [734-104](#) [734-302](#) [734-304](#) [8-141-P](#) [FKCT 2.5/ 3-ST KMGY](#) [860505](#) [860508](#) [860516](#) [860810](#) [861908](#) [GBPACX-12](#) [93.731.4953.0](#) [PV05-5,08-K](#) [PVP02-5,00](#) [PVP04-3,50](#) [PVS02-5,00](#) [1-1986160-3](#) [H-10](#) [1546228-5](#) [ELFH09150](#) [ELFH16150](#) [ELFP03110](#) [ELFT06250](#) [ELFT07250](#) [ELVF09400](#) [ELVP03100](#) [ELXH03100](#) [ELXH071G0E](#) [ELXP041G0](#) [ELXT046G0](#) [1700101](#) [1700410](#) [1700425](#) [1703176](#) [1705229](#) [1710175](#) [1714537](#) [1717806](#) [1719600](#) [1729386](#) [1734692](#) [1734795](#)