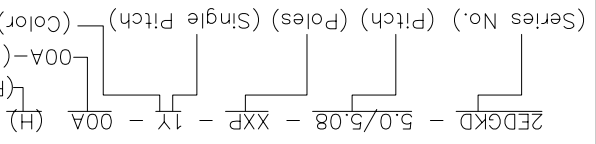


REVISION RECORD			
REV	ECN	DESCRIPTION	DATE

PART NO.:	NINGBO DEGSON ELECTRICAL CO., LTD		THIRD ANGLE PROJECTION	DRAWING NO.:	DO NOT SCALE DRAWING	SCALE	1:1
	NINGBO DEGSON ELECTRICAL CO., LTD						
APPD.:	/		DRAFT:	TITLE:	CUSTOMER DRAWING	SHEET	1/1
	/						
CHKD.:	/		NAME:	ZEDGKD-5.0/5.08-XXP-1Y-00A(H)			
	/						
DETAILED LISTS							

- 9.(White)
8.(Yellow)
7.(Transparent)
6.(Red)
5.(Orange)
4.(Green)
3.(Black)
2.(Blue)
1.(Grey)
- (Series No.) (Pitch) (Poles) (Single Pitch) (Color):1.(Grey)
00A-(Standard)
(Rohs)



6.Rohs Compliance

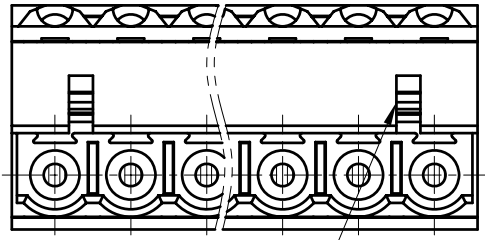
Pitch range in mm	Over	in mm	Nominal dimension range
±0.15	TO	±0.30	±1.50
±0.20	TO	±0.70	±1.00
±0.30	TO	±0.50	±1.50
±0.50	TO	±0.70	±1.00
±0.70	TO	±1.00	±1.50
±1.00	TO	±1.50	±2.00

- 1.Dimension shall be interpreted per ASME Y14.5-2009
2.Pitch : 5.00/5.08mm, Poles : N=02-24P
3.Stripping length : 9~10mm
4.Operating temperature : -40°C~+105°C
5.Undimensioned Tolerances:

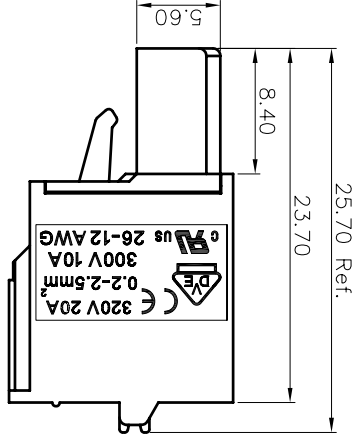
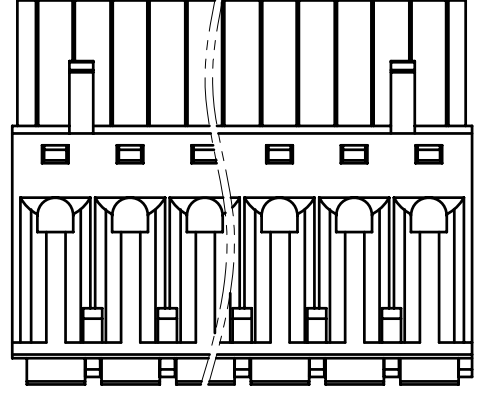
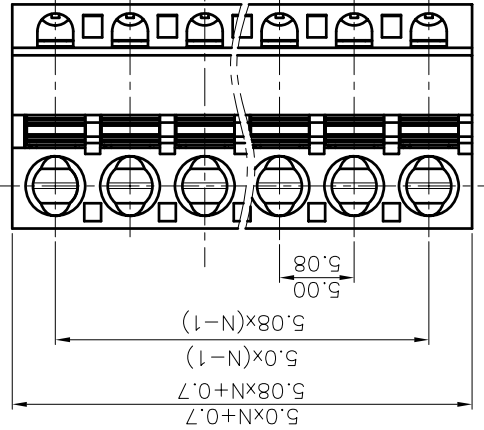
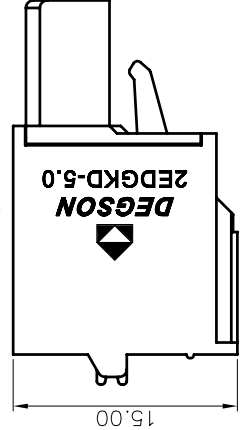
2.Wire Range : 0.2~2.5mm²

2	Pollution Degree	III
4KV	Overvoltage Category	III
320V	Rate Voltage(V)	320V
20A	Rate Current(A)	20A

- NOTES1:
UL Standard
1.Rated Voltage/Current : 300V / 10A
2.Withstanding Voltage : AC1600V/1min.
3.Wire Range : 26~12AWG
IEC Standard



2P With one hook on the left



23.70 Ref.

X-ON Electronics

Largest Supplier of Electrical and Electronic Components

Click to view similar products for [Pluggable Terminal Blocks](#) category:

Click to view products by [Degson](#) manufacturer:

Other Similar products are found below :

[57.404.7553](#) [57.504.0053.7](#) [57.510.0053](#) [57.910.6153](#) [01.112.1453](#) [CTB932VE/6](#) [MC 1.5/ 6-ST-3.5 GY AU](#) [ET02015000J0G](#) [734-104](#) [734-302](#) [734-304](#) [8-141-P](#) [FKCT 2.5/ 3-ST KMGY](#) [860505](#) [860508](#) [860516](#) [860810](#) [861908](#) [GBPACX-12](#) [93.731.4953.0](#) [PV05-5,08-K](#) [PVP02-5,00](#) [PVP04-3,50](#) [PVS02-5,00](#) [1-1986160-3](#) [H-10](#) [1546228-5](#) [ELFH09150](#) [ELFH16150](#) [ELFP03110](#) [ELFT06250](#) [ELFT07250](#) [ELVF09400](#) [ELVP03100](#) [ELXH03100](#) [ELXH071G0E](#) [ELXP041G0](#) [ELXT046G0](#) [1700101](#) [1700410](#) [1700425](#) [1703176](#) [1705229](#) [1710175](#) [1714537](#) [1717806](#) [1719600](#) [1729386](#) [1734692](#) [1734795](#)