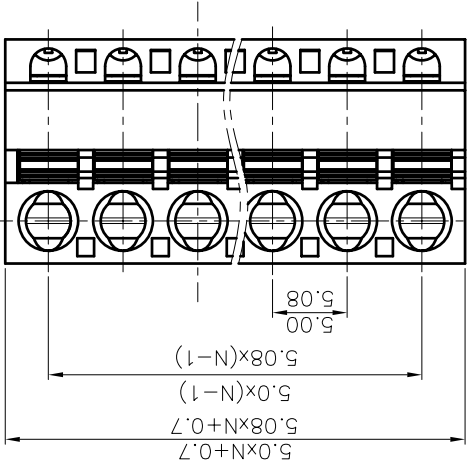
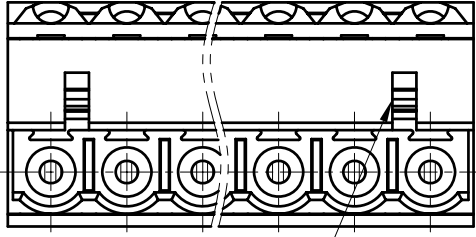
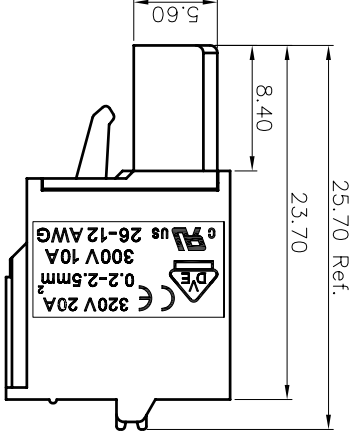
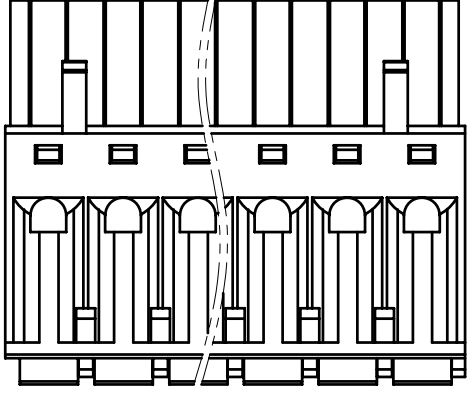
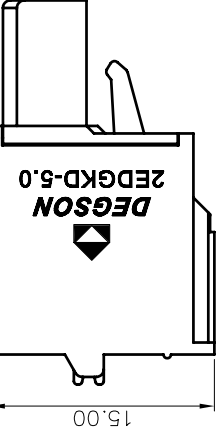


REVISION RECORD				
REV	ECN	DESCRIPTION	DRFT	DATE

PART NO.:	NINGBO DEGSON ELECTRICAL CO., LTD		THIRD ANGLE PROJECTION	DRAWING NO.:	DO NOT SCALE DRAWING	SCALE	1:1
	DEGSON				DO NOT SCALE DRAWING		
	NINGBO DEGSON ELECTRICAL CO., LTD				DO NOT SCALE DRAWING		
APPD.:	CHKD.:	DRFT.:	TITLE:	CUSTOMER DRAWING	REV	DO	1/1
NAME:		ZEDGKD-5.0/5.08-XXP-1Y-00A(H)					



2P With one hook on the left

NOTE1:

- 1. Rated Voltage/Current : 300V / 10A
- 2. Withstanding Voltage : AC1600V/1min.
- 3. Wire Range : 26~12AWG

IEC Standard

Pollution Degree	2
Overvoltage Category	III
Rate Impulse Voltage(kV)	4kV
Rate Voltage(V)	320V
Rate Current(A)	20A

2. Wire Range : 0.2~2.5mm²

NOTE2:

- 1. Dimension shall be interpreted per ASME Y14.5-2009
- 2. Pitch : 5.00/5.08mm, Poles : N=02-24P
- 3. Stripping length : 9~10mm
- 4. Operating temperature : -40°C~+105°C
- 5. Undimensioned Tolerances:

Pitch range in mm	Over	mm
±0.15	TO	6
±0.20	TO	10
±0.30	TO	24
±0.50	Over	30
±0.70	Over	60
±1.00	Over	100
±1.50	Over	150
±2.0	Over	150

6. RoHS Compliance

ZEDGKD - 5.0/5.08 - XXP - 1Y - 00A (H)
 (Series No.) (Pitch) (Poles) (Single Pitch) (Color): 1.(Grey)
 2.(Blue) 3.(Black) 4.(Green) 5.(Orange) 6.(Red) 7.(Transparent) 8.(Yellow) 9.(White)
 (Rohs) 00A-(Standard)

- 9.(White)
- 8.(Yellow)
- 7.(Transparent)
- 6.(Red)
- 5.(Orange)
- 4.(Green)
- 3.(Black)
- 2.(Blue)

15.00

23.70 Ref.

5.08x(N-1)

5.0x(N-1)

5.08xN+0.7

5.0xN+0.7

5.00

5.08

8.40

5.60

23.70

X-ON Electronics

Largest Supplier of Electrical and Electronic Components

Click to view similar products for [Fixed Terminal Blocks](#) category:

Click to view products by [Degson](#) manufacturer:

Other Similar products are found below :

[00175550202](#) [MBE-1512](#) [MBE-1520](#) [MBE-154](#) [MBE-156](#) [MBES-1510](#) [MBES-153](#) [MBES-156](#) [MH-2512](#) [MHE-132](#) [MHE-133](#) [MHE-163](#)
[MI-254 \(35\)](#) [MI-272](#) [8739](#) [880507](#) [880508](#) [MPT-275](#) [1546551-6](#) [ELM023100](#) [ELM10110G](#) [ELVD12100](#) [BA311TU](#) [BA411SU](#) [MV-152](#)
[MV-253/NCNOC](#) [MV-254-D](#) [MV-255](#) [MV-462](#) [MV-472](#) [MV-493](#) [MVE-252](#) [MVE-253](#) [MVE-258](#) [MVE-273](#) [MVEB-153](#) [1700096](#)
[1702246](#) [1705142](#) [1712417](#) [1713020](#) [1713088](#) [1776118-2](#) [1790852](#) [1-796689-8](#) [1-796692-6](#) [1800001](#) [1800114](#) [1823215](#) [1838462](#)