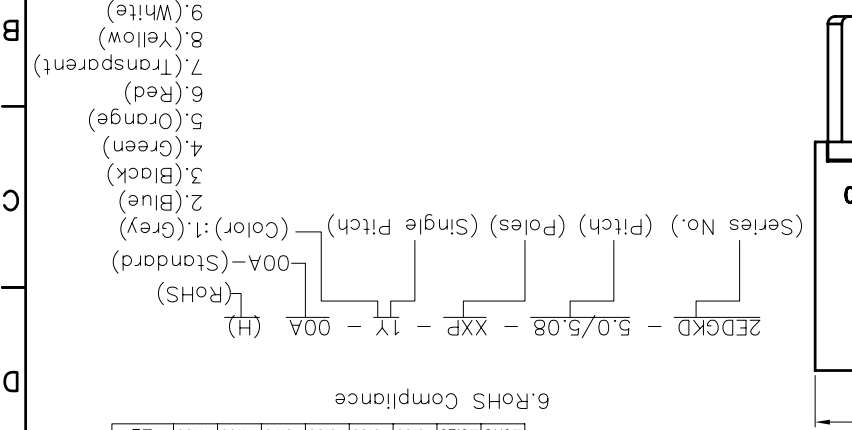


REVISION RECORD			
REV	ECN	DESCRIPTION	DATE

PART NO.:	NINGBO DEGSON ELECTRICAL CO., LTD		THIRD ANGLE PROJECTION
	宁波高松电子有限公司		
APPD.:	/		DRAWING NO.:
	/		
CHKD.:	/		TITLE:
	/		
NAME:	ZEDGKD-5.0/5.08-XXP-1Y-00A(H)		DO NOT SCALE DRAWING
	/		
DRFT:	REV	SCALE	1:1
D0			
CUSTOMER DRAWING		SHEET	1/1



Pitch range in mm	Over	Under	Nominal dimension range
6 TO 10	±0.15	±0.20	±0.30
6 TO 10	±0.20	±0.30	±0.30
6 TO 10	±0.30	±0.40	±0.50
6 TO 10	±0.40	±0.50	±0.70
6 TO 10	±0.50	±0.60	±1.00
6 TO 10	±0.60	±0.70	±1.50
6 TO 10	±0.70	±0.80	±2.00

1. Dimension shall be interpreted per ASME Y14.5-2009  
 2. Pitch : 5.00/5.08mm, Poles : N=02-24P  
 3. Stripping length : 9~10mm  
 4. Operating temperature : -40°C~+105°C  
 5. Undimensioned Tolerances:

1. Pollution Degree	2
Overvoltage Category	III
Rate Impulse Voltage(kV)	4kV
Rate Voltage(V)	320V
Rate Current(A)	20A

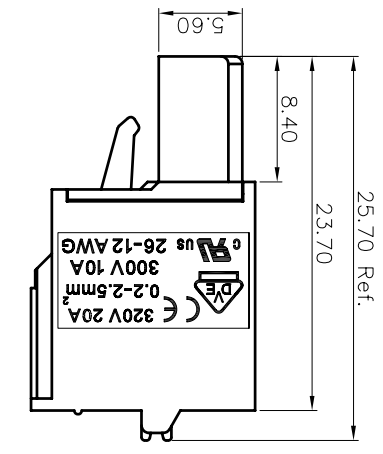
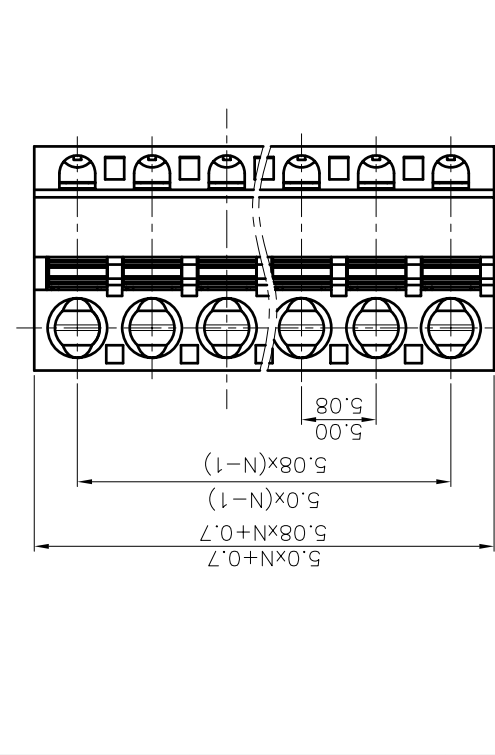
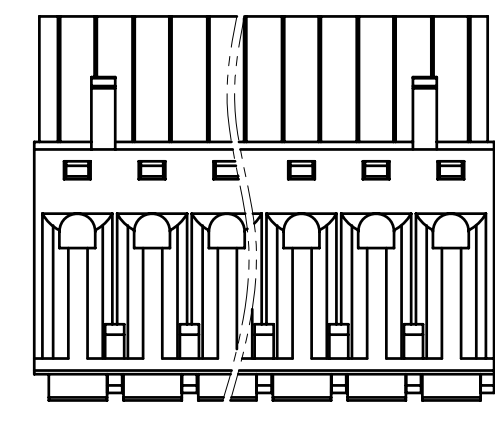
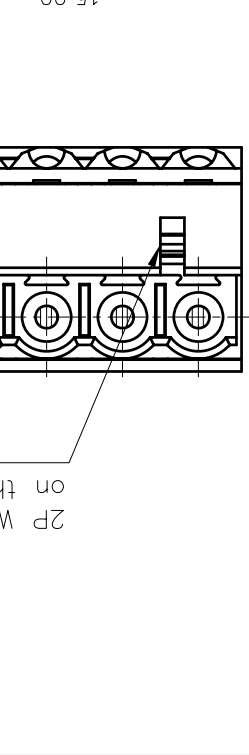
2. Wire Range : 0.2~2.5mm<sup>2</sup>

NOTES1:  
 UL Standard  
 1. Rated Voltage/Current : 300V / 10A  
 2. Withstanding Voltage : AC1600V/1min.  
 3. Wire Range : 26~12AWG  
 IEC Standard  
 1. Pollution Degree

2P With one hook on the left

6. RoHS Compliance

ZEDGKD - 5.0/5.08 - XXP - 1Y - 00A (H)  
 (Series No.) (Pitch) (Poles) (Single Pitch) (Color): 1.(Grey)  
 2.(Blue)  
 3.(Black)  
 4.(Green)  
 5.(Orange)  
 6.(Red)  
 7.(Transparent)  
 8.(Yellow)  
 9.(White)



## X-ON Electronics

Largest Supplier of Electrical and Electronic Components

*Click to view similar products for [Pluggable Terminal Blocks](#) category:*

*Click to view products by [Degson](#) manufacturer:*

Other Similar products are found below :

[57.404.7553](#) [57.504.0053.7](#) [57.510.0053](#) [57.910.6153](#) [01.112.1453](#) [CTB932VE/6](#) [MC 1.5/ 6-ST-3.5 GY AU](#) [ET02015000J0G](#) [734-104](#) [734-302](#) [734-304](#) [8-141-P](#) [FKCT 2.5/ 3-ST KMGY](#) [860505](#) [860508](#) [860516](#) [860810](#) [861908](#) [GBPACX-12](#) [93.731.4953.0](#) [PV05-5,08-K](#) [PVP02-5,00](#) [PVP04-3,50](#) [PVS02-5,00](#) [1-1986160-3](#) [H-10](#) [1546228-5](#) [ELFH09150](#) [ELFH16150](#) [ELFP03110](#) [ELFT06250](#) [ELFT07250](#) [ELVF09400](#) [ELVP03100](#) [ELXH03100](#) [ELXH071G0E](#) [ELXP041G0](#) [ELXT046G0](#) [1700101](#) [1700410](#) [1700425](#) [1703176](#) [1705229](#) [1710175](#) [1714537](#) [1717806](#) [1719600](#) [1729386](#) [1734692](#) [1734795](#)