

8

7

6

5

4

3

2

1

A
B
C
D
E
F
G
H

PART NO.:	NINGBO DEGSON ELECTRICAL CO., LTD	
	宁波高松电子有限公司	
NAME:	2EDGKDFM-5.0/5.08-XXP-1Y-00A(H)	
APPD:	/	
CHKD:	/	
DRFT:	/	
TITLE:	CUSTOMER DRAWING	REV
DRAWING NO.:	/	SHEET
THIRD ANGLE PROJECTION	(INCH)	DO NOT SCALE DRAWING
SCALE	1:1	

2EDGKDFM - 5.0/5.08 - XXP - 1Y - 00A (H)
 (Series No.) (Pitch) (Poles) (Single Pitch) (Color):1.(Grey)
 2.(Blue)
 3.(Black)
 4.(Green)
 5.(Orange)
 6.(Red)
 7.(Transparent)
 8.(Yellow)
 9.(White)

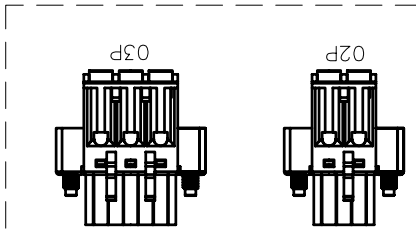
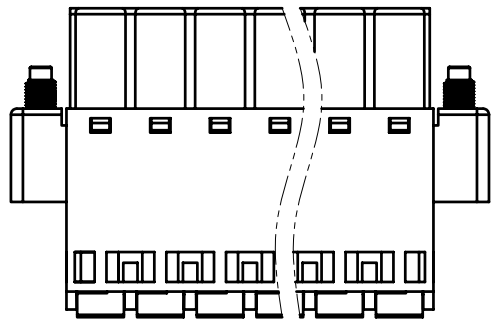
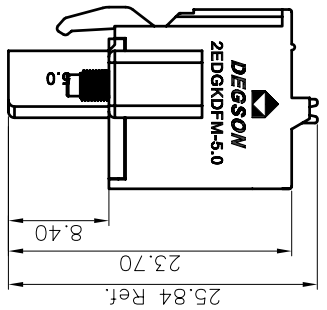
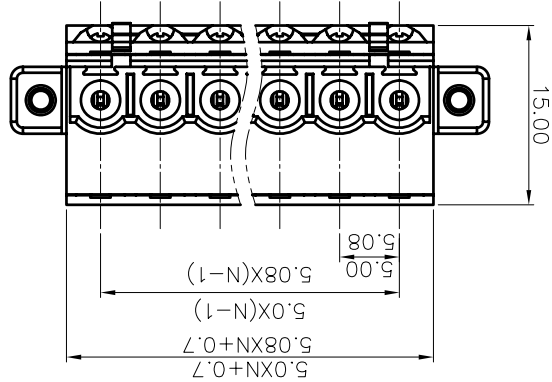
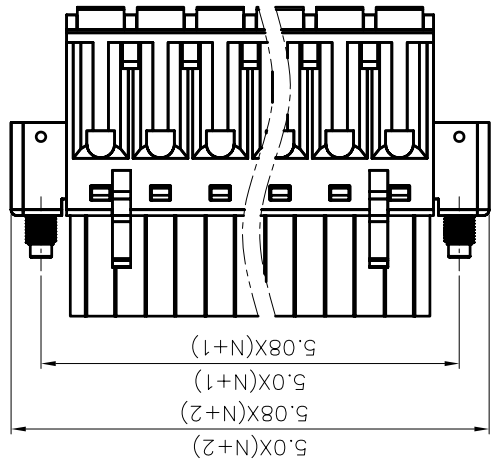
6.RoHS Compliance

Normal dimension range	in mm	Over	Over	Over	Over	Over	Over	Over	Over
Pitch range	6	10	10	10	10	10	10	10	150
Strip length	6	10	10	10	10	10	10	10	150
Operating temperature	Over	Over	Over	Over	Over	Over	Over	Over	Over
UL Standard	III	III	III	III	III	III	III	III	III
Rated Voltage/Current	300V / 10A	300V / 10A	300V / 10A	300V / 10A	300V / 10A	300V / 10A	300V / 10A	300V / 10A	300V / 10A
Withstanding Voltage	AC1600V/1min.	AC1600V/1min.	AC1600V/1min.	AC1600V/1min.	AC1600V/1min.	AC1600V/1min.	AC1600V/1min.	AC1600V/1min.	AC1600V/1min.
Wire Range	26~12AWG	26~12AWG	26~12AWG	26~12AWG	26~12AWG	26~12AWG	26~12AWG	26~12AWG	26~12AWG
IEC Standard	2	2	2	2	2	2	2	2	2
Pollution Degree	III	III	III	III	III	III	III	III	III
Overvoltage Category	4.0kV	4.0kV	4.0kV	4.0kV	4.0kV	4.0kV	4.0kV	4.0kV	4.0kV
Rate Impulse Voltage(kV)	320V	320V	320V	320V	320V	320V	320V	320V	320V
Rate Voltage(V)	20A	20A	20A	20A	20A	20A	20A	20A	20A
Rate Current(A)	0.2~2.5mm ²	0.2~2.5mm ²	0.2~2.5mm ²	0.2~2.5mm ²	0.2~2.5mm ²	0.2~2.5mm ²	0.2~2.5mm ²	0.2~2.5mm ²	0.2~2.5mm ²

NOTE1:
 1.Dimension shall be interpreted per ASME Y14.5-2009
 2.Pitch : 5.00/5.08mm, Poles : N=02~22P/02~16P
 3.Stripping length : 9~10mm
 4.Operating temperature: -40°C~+105°C
 5.Undimensioned Tolerances:
 Pitch range in mm
 Normal dimension range

REV	ECN	DESCRIPTION	DRFT	DATE

REVISION RECORD



FOR-1351 Rev.1.0

X-ON Electronics

Largest Supplier of Electrical and Electronic Components

Click to view similar products for [Pluggable Terminal Blocks](#) category:

Click to view products by [Degson](#) manufacturer:

Other Similar products are found below :

[57.404.7553](#) [57.504.0053.7](#) [57.510.0053](#) [57.910.6153](#) [01.112.1453](#) [CTB932VE/6](#) [MC 1.5/ 6-ST-3.5 GY AU](#) [ET02015000J0G](#) [734-104](#) [734-302](#) [734-304](#) [8-141-P](#) [FKCT 2.5/ 3-ST KMGY](#) [860505](#) [860508](#) [860516](#) [860810](#) [861908](#) [GBPACX-12](#) [93.731.4953.0](#) [PV05-5,08-K](#) [PVP02-5,00](#) [PVP04-3,50](#) [PVS02-5,00](#) [1-1986160-3](#) [H-10](#) [1546228-5](#) [ELFH09150](#) [ELFH16150](#) [ELFP03110](#) [ELFT06250](#) [ELFT07250](#) [ELVF09400](#) [ELVP03100](#) [ELXH03100](#) [ELXH071G0E](#) [ELXP041G0](#) [ELXT046G0](#) [1700101](#) [1700410](#) [1700425](#) [1703176](#) [1705229](#) [1710175](#) [1714537](#) [1717806](#) [1719600](#) [1729386](#) [1734692](#) [1734795](#)