

REVISION RECORD			
REV	ECN	DESCRIPTION	DATE

NOTES1:

- 1.Rated Voltage/Current : 300V / 10A
- 2.Withstanding Voltage : AC1600V/1min.
- 3.Wire Range : 26~12AWG

IEC Standard

Pollution Degree	2
Overvoltage Category	III
Rate Impulse Voltage(KV)	4KV
Rate Voltage(V)	320V
Rate Current(A)	20A

2.Wire Range : 1.0~2.5mm<sup>2</sup>

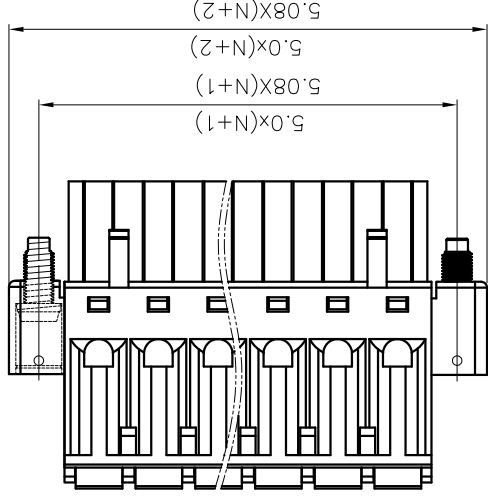
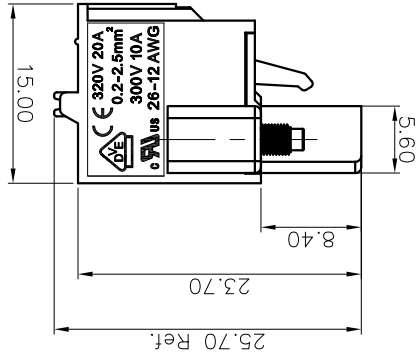
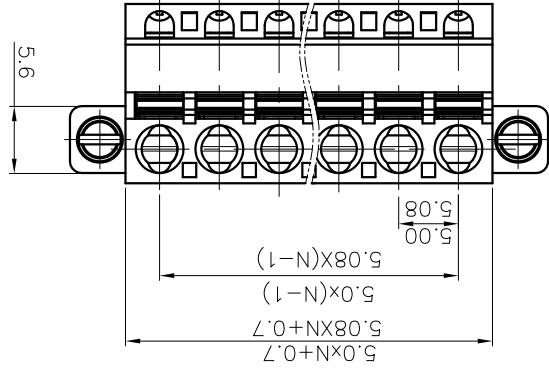
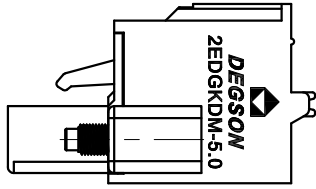
NOTES2:

- 1.Dimension shall be interpreted per ASME Y14.5-2009
- 2.Pitch : 5.00/5.08mm, Poles : N=02-22P/02-16P
- 3.Stripping length : 9~10mm
- 4.Operating temperature: -40°C~+105°C
- 5.Undimensioned Tolerances:

Pitch range in mm	Normal dimension range	mm
Over 6	Over 10	±0.15
Over 10	Over 10	±0.20
Over 10	Over 10	±0.30
Over 10	Over 10	±0.30
Over 30	Over 30	±0.50
Over 60	Over 60	±0.70
Over 100	Over 100	±1.00
Over 150	Over 150	±1.30

6.RoHS Compliance

2EDGKDM - 5.0/5.08 - XXP - 1Y - 00A (H)  
 (RoHS)  
 00A-(Standard)  
 1.(Grey)  
 2.(Blue)  
 3.(Black)  
 4.(Green)  
 5.(Orange)  
 6.(Red)  
 7.(Transparent)  
 8.(Yellow)  
 9.(White)



DETACHED LISTS

PART NO.:	/
APPD.:	/
CHKD.:	/
TITLE:	CUSTOMER DRAWING
NAME:	2EDGKDM-5.0/5.08-XXP-1Y-00A(H)
DRFT:	/
REV	D0
SHEET	1/1
SCALE	1:1
THIRD ANGLE PROJECTION	(INCH)
DO NOT SCALE DRAWING	

8

7

6

5

4

3

2

1

H

F

F

D

C

B

A

A

B

C

D

E

F

G

H

## X-ON Electronics

Largest Supplier of Electrical and Electronic Components

*Click to view similar products for [Pluggable Terminal Blocks](#) category:*

*Click to view products by [Degson](#) manufacturer:*

Other Similar products are found below :

[57.404.7553](#) [57.504.0053.7](#) [57.510.0053](#) [57.910.6153](#) [01.112.1453](#) [CTB932VE/6](#) [MC 1.5/ 6-ST-3.5 GY AU](#) [ET02015000J0G](#) [734-104](#) [734-302](#) [734-304](#) [8-141-P](#) [FKCT 2.5/ 3-ST KMGY](#) [860505](#) [860508](#) [860516](#) [860810](#) [861908](#) [GBPACX-12](#) [93.731.4953.0](#) [PV05-5,08-K](#) [PVP02-5,00](#) [PVP04-3,50](#) [PVS02-5,00](#) [1-1986160-3](#) [H-10](#) [1546228-5](#) [ELFH09150](#) [ELFH16150](#) [ELFP03110](#) [ELFT06250](#) [ELFT07250](#) [ELVF09400](#) [ELVP03100](#) [ELXH03100](#) [ELXH071G0E](#) [ELXP041G0](#) [ELXT046G0](#) [1700101](#) [1700410](#) [1700425](#) [1703176](#) [1705229](#) [1710175](#) [1714537](#) [1717806](#) [1719600](#) [1729386](#) [1734692](#) [1734795](#)