

REVISION RECORD			
REV	ECN	DESCRIPTION	DATE

NOTES1:

- 1. Rated Voltage/Current : 300V / 10A
- 2. Withstanding Voltage : AC1600V/1min.
- 3. Wire Range : 26~12AWG

IEC Standard

Pollution Degree	2
Overvoltage Category	III
Rate Impulse Voltage(KV)	4KV
Rate Voltage(V)	320V
Rate Current(A)	20A

2. Wire Range : 1.0~2.5mm²

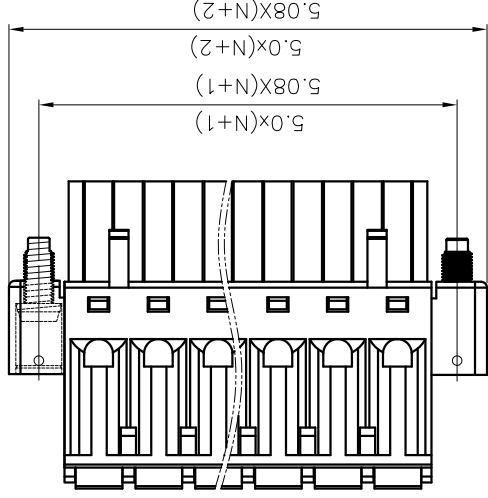
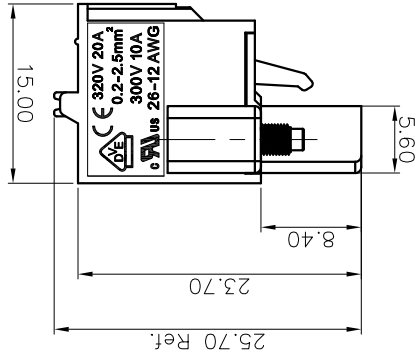
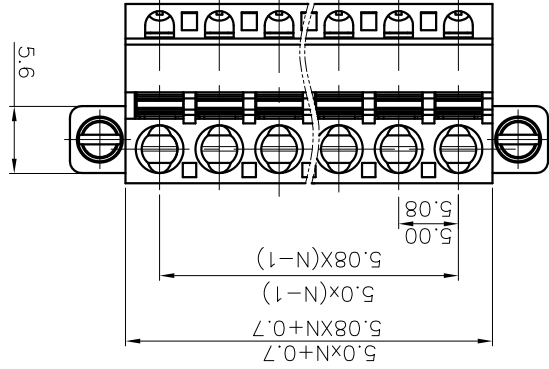
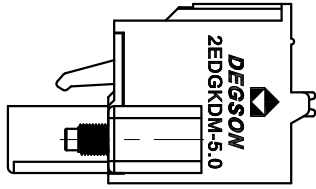
NOTES2:

- 1. Dimension shall be interpreted per ASME Y14.5-2009
- 2. Pitch : 5.00/5.08mm, Poles : N=02-22P/02-16P
- 3. Stripping length : 9~10mm
- 4. Operating temperature : -40°C~+105°C
- 5. Undimensioned Tolerances:

Pitch range in mm	Over	10	15	20	25	30	35	40	45	50	55	60	65	70	75	80	85	90	95	100	105	110	115	120	125	130	135	140	145	150			
0.1/10	Over	10	10	10	10	10	10	10	10	10	10	10	10	10	10	10	10	10	10	10	10	10	10	10	10	10	10	10	10	10	10	10	
<	Over	10	10	10	10	10	10	10	10	10	10	10	10	10	10	10	10	10	10	10	10	10	10	10	10	10	10	10	10	10	10	10	
±2.	±2.0	±2.0	±2.0	±2.0	±2.0	±2.0	±2.0	±2.0	±2.0	±2.0	±2.0	±2.0	±2.0	±2.0	±2.0	±2.0	±2.0	±2.0	±2.0	±2.0	±2.0	±2.0	±2.0	±2.0	±2.0	±2.0	±2.0	±2.0	±2.0	±2.0	±2.0	±2.0	±2.0

6. RoHS Compliance

2EDGKDM - 5.0/5.08 - XXP - 1Y - 00A (H)
 (RoHS)
 00A-(Standard)
 1.(Grey)
 2.(Blue)
 3.(Black)
 4.(Green)
 5.(Orange)
 6.(Red)
 7.(Transparent)
 8.(Yellow)
 9.(White)



DETACHED LISTS

PART NO.:	/
APPD.:	/
CHKD.:	/
DRFT.:	/
TITLE:	CUSTOMER DRAWING
NAME:	2EDGKDM-5.0/5.08-XXP-1Y-00A(H)
DRAWING NO.:	/
THIRD ANGLE PROJECTION	(INCH)
DO NOT SCALE DRAWING	DO NOT SCALE DRAWING
SCALE	1:1
SHEET	1/1
REV	D0

NINGBO DEGSON ELECTRICAL CO., LTD
 宁波高松电子有限公司

A B C D E F G H

A B C D E F G H

X-ON Electronics

Largest Supplier of Electrical and Electronic Components

Click to view similar products for [Pluggable Terminal Blocks](#) category:

Click to view products by [Degson](#) manufacturer:

Other Similar products are found below :

[57.404.7553](#) [57.504.0053.7](#) [57.510.0053](#) [57.910.6153](#) [01.112.1453](#) [CTB932VE/6](#) [MC 1.5/ 6-ST-3.5 GY AU](#) [ET02015000J0G](#) [734-104](#) [734-302](#) [734-304](#) [8-141-P](#) [FKCT 2.5/ 3-ST KMGY](#) [860505](#) [860508](#) [860516](#) [860810](#) [861908](#) [GBPACX-12](#) [93.731.4953.0](#) [PV05-5,08-K](#) [PVP02-5,00](#) [PVP04-3,50](#) [PVS02-5,00](#) [1-1986160-3](#) [H-10](#) [1546228-5](#) [ELFH09150](#) [ELFH16150](#) [ELFP03110](#) [ELFT06250](#) [ELFT07250](#) [ELVF09400](#) [ELVP03100](#) [ELXH03100](#) [ELXH071G0E](#) [ELXP041G0](#) [ELXT046G0](#) [1700101](#) [1700410](#) [1700425](#) [1703176](#) [1705229](#) [1710175](#) [1714537](#) [1717806](#) [1719600](#) [1729386](#) [1734692](#) [1734795](#)