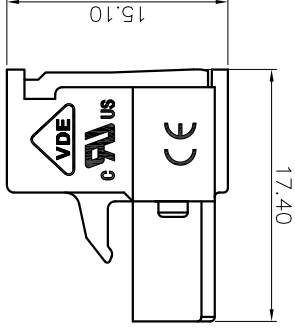
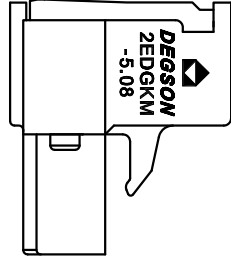
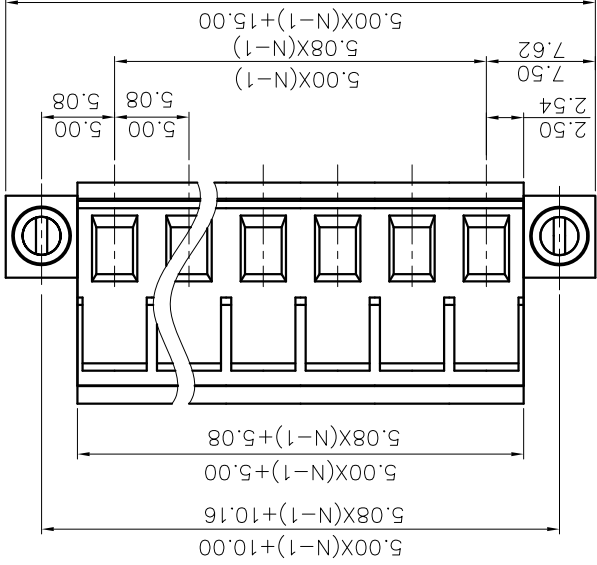
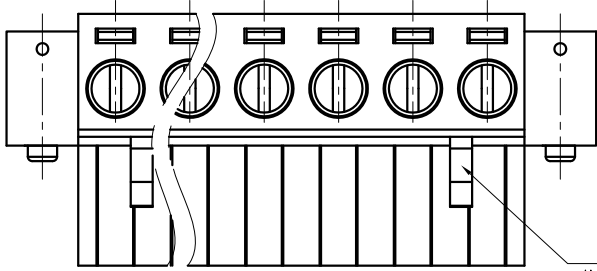


REVISION RECORD			
REV	ECN	DESCRIPTION	DRFT DATE

02P: Clasp on the left from this view



2EDGKM - 5.0/5.08 - XXP - 1x - 00A (H)
 (Series No.) (Pitch) (Poles) (Single Pitch)
 00A-(Standard)
 (RoHS)

(Color): 1.(Grey) 2.(Blue) 3.(Black) 4.(Green) 5.(Orange) 6.(Red) 7.(Transparent) 8.(Yellow) 9.(White)

PART NO.:	/	
	NINGBO DEGSON ELECTRICAL CO., LTD	
APPD:	/	
CHKD:	/	
DRFT:	/	
NAME:	2EDGKM-5.0/5.08-XXP-1Y-00A(H)	
TITLE:	CUSTOMER DRAWING	
REV	DO	
SHEET	1/1	
SCALE	1:1	
THIRD ANGLE PROJECTION		
DO NOT SCALE DRAWING		
DRAWING NO.:	MM	

Pitch range in mm		Nominal dimension range in mm	
6	±0.15	Over 6	±0.15
10	±0.20	Over 10	±0.20
10	±0.30	Over 10	±0.30
24	±0.30	Over 24	±0.30
30	±0.30	Over 30	±0.30
60	±0.50	Over 60	±0.50
100	±0.70	Over 100	±0.70
150	±1.00	Over 150	±1.00
150	±1.30	Over 150	±1.30

6. RoHS Compliance

5. Undimensioned tolerances:

4. Operating temperature: -40°C~+105°C

3. Striping length: 7~8mm

2. Pitch: 5.0/5.08mm, Poles: N=02~22P

ASME Y14.5-2009

1. Dimension shall be interpreted per

NOTES2:

3. Wire range: 2.5mm²

2. Torque value: M2.5, 0.4N·m

Rate Current(A)	20A
Rate Voltage(V)	320V
Rate Impulse Voltage(kV)	4.0kV
Overvoltage Category	III
Pollution Degree	2

1. IEC Standard

NOTES1:

UL Standard

1. Rated voltage/current: 300V / 15A

2. Withstanding voltage: AC1600V/1min.

3. Torque value: M2.5, 3.54lb.in

4. Wire range: 28~12AWG

X-ON Electronics

Largest Supplier of Electrical and Electronic Components

Click to view similar products for [Pluggable Terminal Blocks](#) category:

Click to view products by [Degson](#) manufacturer:

Other Similar products are found below :

[57.404.7553](#) [57.504.0053.7](#) [57.510.0053](#) [57.910.6153](#) [01.112.1453](#) [CTB932VE/6](#) [MC 1.5/ 6-ST-3.5 GY AU](#) [ET02015000J0G](#) [734-104](#) [734-302](#) [734-304](#) [8-141-P](#) [FKCT 2.5/ 3-ST KMGY](#) [860505](#) [860508](#) [860516](#) [860810](#) [861908](#) [GBPACX-12](#) [93.731.4953.0](#) [PV05-5,08-K](#) [PVP02-5,00](#) [PVP04-3,50](#) [PVS02-5,00](#) [1-1986160-3](#) [H-10](#) [1546228-5](#) [ELFH09150](#) [ELFH16150](#) [ELFP03110](#) [ELFT06250](#) [ELFT07250](#) [ELVF09400](#) [ELVP03100](#) [ELXH03100](#) [ELXH071G0E](#) [ELXP041G0](#) [ELXT046G0](#) [1700101](#) [1700410](#) [1700425](#) [1703176](#) [1705229](#) [1710175](#) [1714537](#) [1717806](#) [1719600](#) [1729386](#) [1734692](#) [1734795](#)