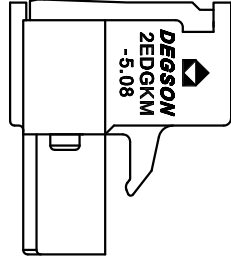
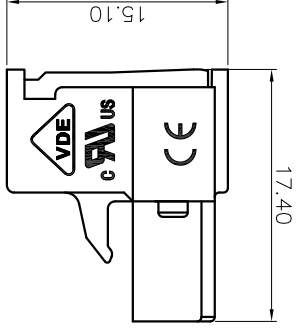
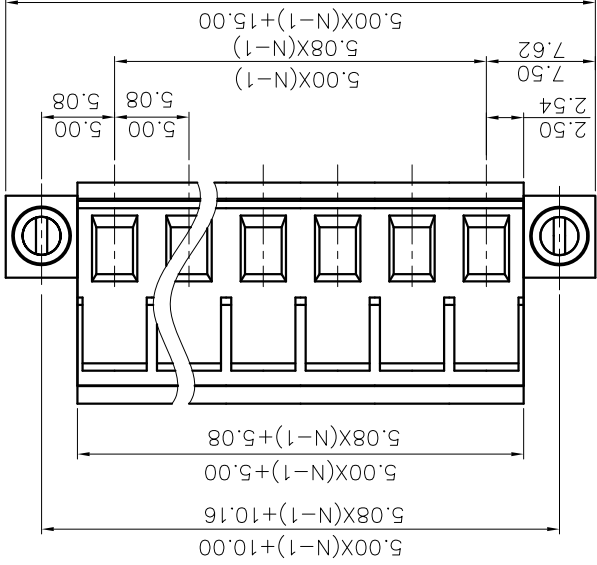
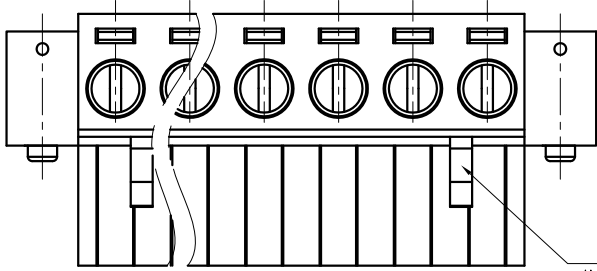


REVISION RECORD			
REV	ECN	DESCRIPTION	DATE

02P: Clasp on the left from this view



2EDGKM - 5.0/5.08 - XXP - 1x - 00A (H)  
 (Rohs)  
 00A-(Standard)  
 (Series No.) (Pitch) (Poles) (Single Pitch)

(Color): 1.(Grey) 2.(Blue) 3.(Black) 4.(Green) 5.(Orange) 6.(Red) 7.(Transparent) 8.(Yellow) 9.(White)

6. RoHS Compliance

mm		Nominal dimension range		Pitch range in mm	
To	Over	To	Over	To	Over
6	10	6	10	6	10
±0.15	±0.20	±0.30	±0.30	±0.30	±0.30
10	10	10	10	10	10
±0.20	±0.30	±0.50	±0.70	±1.00	±1.30
150	150	100	100	150	150
0.1/10	0.1/10	0.1/10	0.1/10	0.1/10	0.1/10

1. Dimension shall be interpreted per ASME Y14.5-2009
2. Pitch: 5.0/5.08mm, Poles: N=02~22P
3. Striping length: 7~8mm
4. Operating temperature: -40°C~+105°C
5. Undimensioned tolerances:

1. Pollution Degree 2
2. Torque value: M2.5, 0.4N·m
3. Wire range: 2.5mm<sup>2</sup>

2	Pollution Degree
III	Overvoltage Category
4.0KV	Rate Impulse Voltage(kV)
320V	Rate Voltage(V)
20A	Rate Current(A)

1. Rated voltage/current: 300V / 15A
  2. Withstanding voltage: AC1600V/1min.
  3. Torque value: M2.5, 3.54lb.in
  4. Wire range: 28~12AWG
- UL Standard

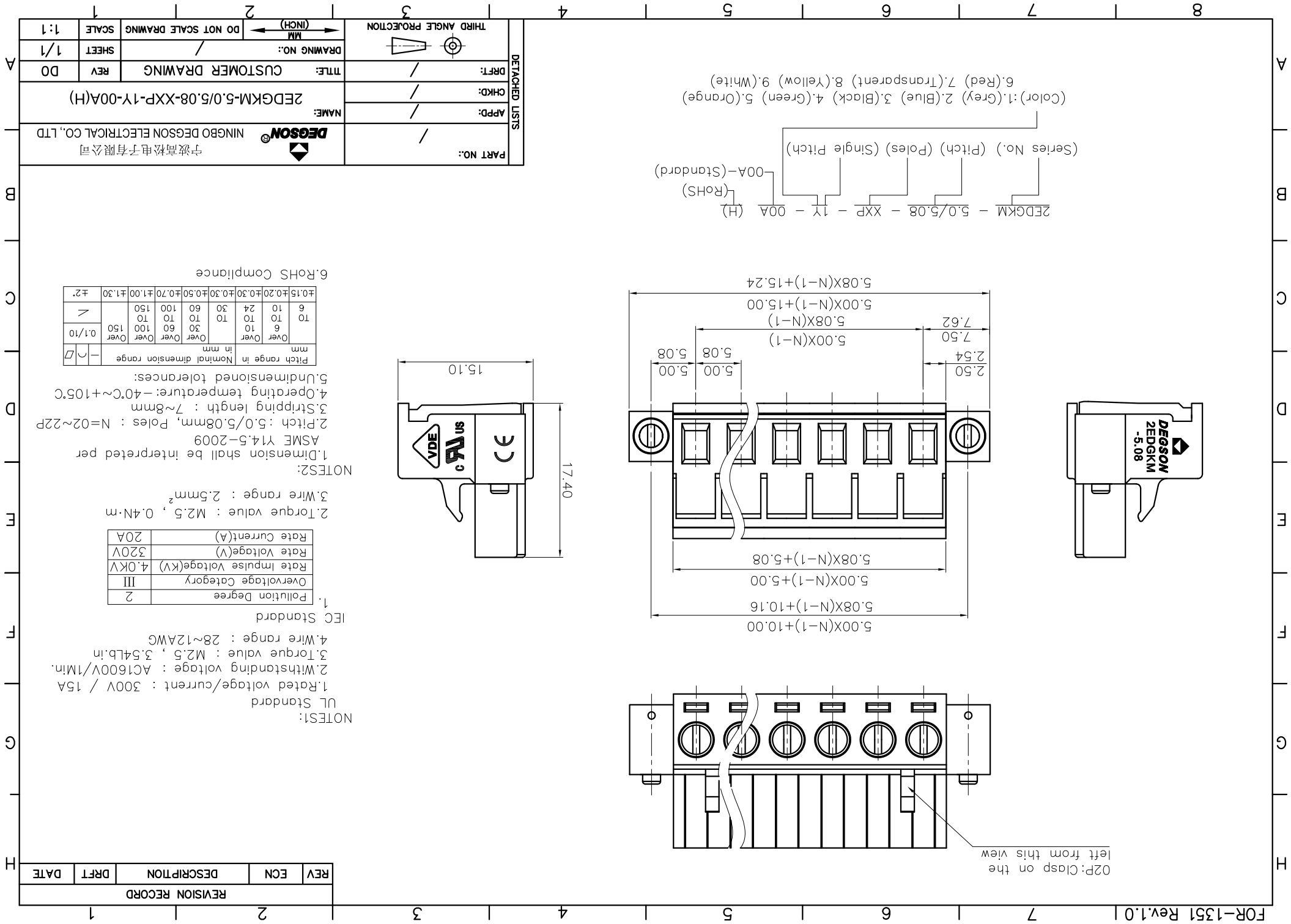
NOTES1:

UL Standard

NOTES2:

PART NO.:	/	NAME:	NINGBO DEGSON ELECTRICAL CO., LTD	
			宁波高松电子有限公司	
APPD:	/	CHKD:	/	
DRAFT:	/	TITLE:	CUSTOMER DRAWING	REV
DRAWING NO.:		/		SHEET
THIRD ANGLE PROJECTION		DO NOT SCALE DRAWING		SCALE
1:1		DO NOT SCALE DRAWING		1:1

DETACHED LISTS



## X-ON Electronics

Largest Supplier of Electrical and Electronic Components

*Click to view similar products for [Pluggable Terminal Blocks](#) category:*

*Click to view products by [Degson](#) manufacturer:*

Other Similar products are found below :

[57.404.7553](#) [57.504.0053.7](#) [57.510.0053](#) [57.910.6153](#) [01.112.1453](#) [CTB932VE/6](#) [MC 1.5/ 6-ST-3.5 GY AU](#) [ET02015000J0G](#) [734-104](#) [734-302](#) [734-304](#) [8-141-P](#) [FKCT 2.5/ 3-ST KMGY](#) [860505](#) [860508](#) [860516](#) [860810](#) [861908](#) [GBPACX-12](#) [93.731.4953.0](#) [PV05-5,08-K](#) [PVP02-5,00](#) [PVP04-3,50](#) [PVS02-5,00](#) [1-1986160-3](#) [H-10](#) [1546228-5](#) [ELFH09150](#) [ELFH16150](#) [ELFP03110](#) [ELFT06250](#) [ELFT07250](#) [ELVF09400](#) [ELVP03100](#) [ELXH03100](#) [ELXH071G0E](#) [ELXP041G0](#) [ELXT046G0](#) [1700101](#) [1700410](#) [1700425](#) [1703176](#) [1705229](#) [1710175](#) [1714537](#) [1717806](#) [1719600](#) [1729386](#) [1734692](#) [1734795](#)