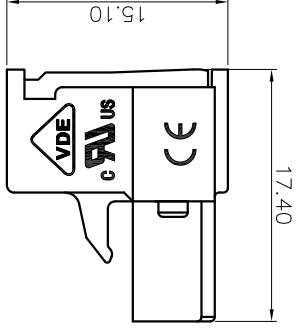
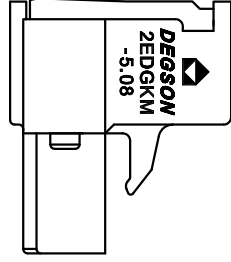
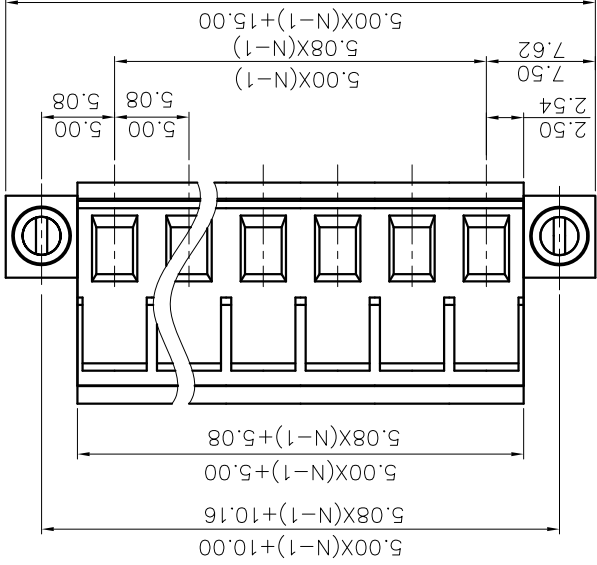
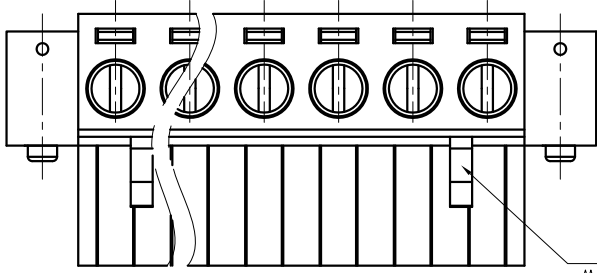


| REVISION RECORD | | | |
|-----------------|-----|-------------|------|
| REV | ECN | DESCRIPTION | DATE |
| | | | |

02P: Clasp on the left from this view



2EDGKM - 5.0/5.08 - XXP - 1Y - 00A (H)
 (Rohs)
 00A-(Standard)
 (Series No.) (Pitch) (Poles) (Single Pitch)

(Color): 1.(Grey) 2.(Blue) 3.(Black) 4.(Green) 5.(Orange) 6.(Red) 7.(Transparent) 8.(Yellow) 9.(White)

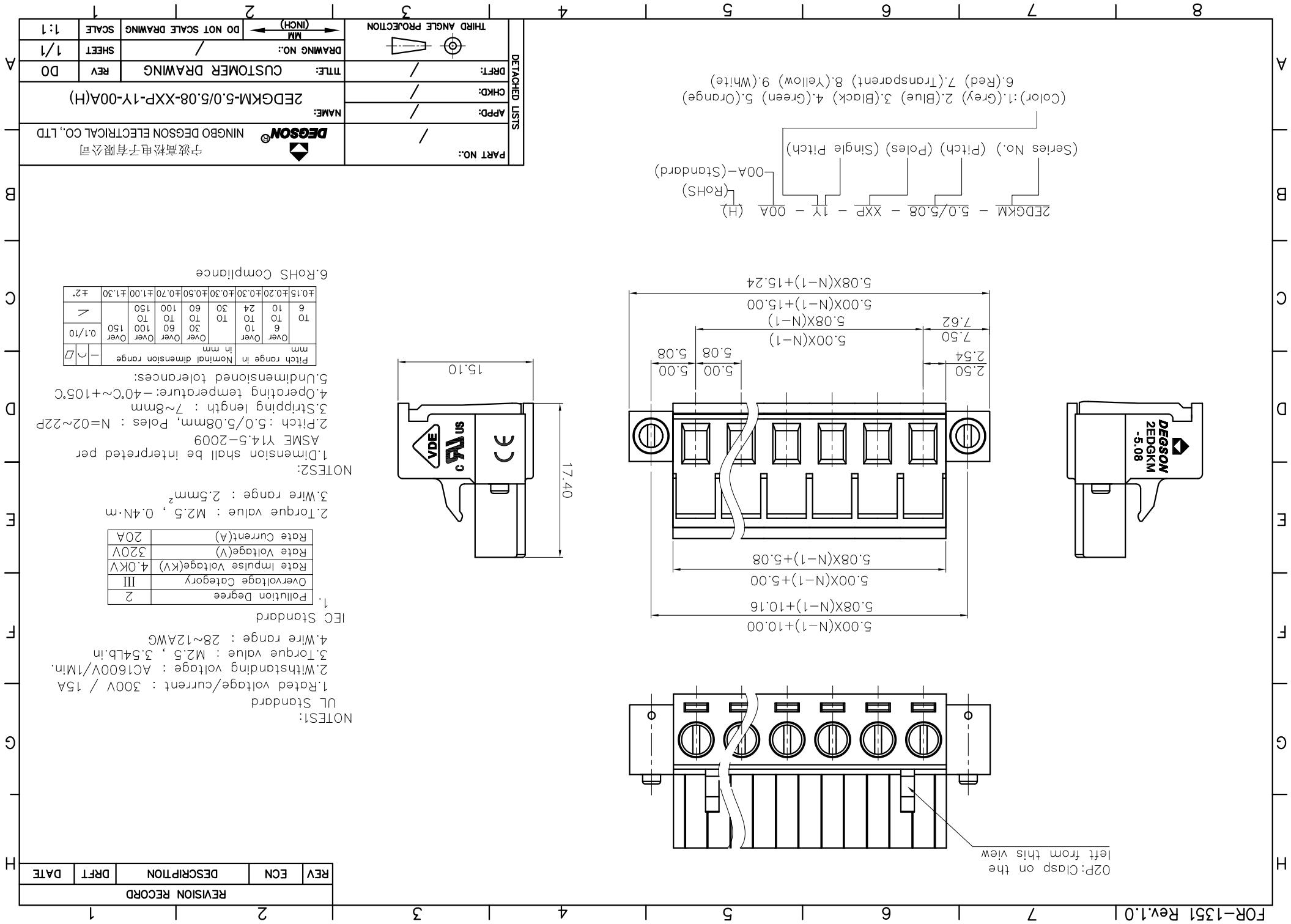
DETACHED LISTS

| | |
|------------------------|-------------------------------|
| PART NO.: | / |
| APPD.: | / |
| CHKD.: | / |
| DRFT.: | / |
| NAME: | 2EDGKM-5.0/5.08-XXP-1Y-00A(H) |
| TITLE: | CUSTOMER DRAWING |
| REV | DO |
| SHEET | 1/1 |
| SCALE | 1:1 |
| THIRD ANGLE PROJECTION | |
| DO NOT SCALE DRAWING | DO NOT SCALE DRAWING |
| SCALE | 1:1 |

- NOTE1:
 UL Standard
 1.Rated voltage/current : 300V / 15A
 2.Withstanding voltage : AC1600V/1Min.
 3.Torque value : M2.5, 3.54Lb.in
 4.Wire range : 28~12AWG
- NOTE2:
 IEC Standard
 1. Pollution Degree : 2
 2. Torque value : M2.5, 0.4N.m
 3. Wire range : 2.5mm²
- NOTE3:
 ASME Y14.5-2009
 1.Dimension shall be interpreted per
 2.Pitch : 5.0/5.08mm, Poles : N=02~22P
 3.Stripping length : 7~8mm
 4.Operating temperature: -40°C~+105°C
 5.Undimensioned tolerances:

| Pitch range in mm | | Nominal dimension range in mm | |
|-------------------|-------|-------------------------------|-------|
| To | Over | To | Over |
| 6 | 6 | 10 | 10 |
| 10 | 10 | 10 | 10 |
| 10 | 10 | 30 | 30 |
| 10 | 10 | 60 | 60 |
| 10 | 10 | 100 | 100 |
| 150 | 150 | 150 | 150 |
| ±2.0 | ±2.0 | ±0.30 | ±0.50 |
| ±0.15 | ±0.20 | ±0.70 | ±1.00 |
| ±1.30 | ±1.30 | ±1.00 | ±1.30 |
| ±2.0 | ±2.0 | ±1.00 | ±1.30 |

6.Rohs Compliance



X-ON Electronics

Largest Supplier of Electrical and Electronic Components

Click to view similar products for [Pluggable Terminal Blocks](#) category:

Click to view products by [Degson](#) manufacturer:

Other Similar products are found below :

[57.404.7553](#) [57.504.0053.7](#) [57.510.0053](#) [57.910.6153](#) [01.112.1453](#) [CTB932VE/6](#) [MC 1.5/ 6-ST-3.5 GY AU](#) [ET02015000J0G](#) [734-104](#) [734-302](#) [734-304](#) [8-141-P](#) [FKCT 2.5/ 3-ST KMGY](#) [860505](#) [860508](#) [860516](#) [860810](#) [861908](#) [GBPACX-12](#) [93.731.4953.0](#) [PV05-5,08-K](#) [PVP02-5,00](#) [PVP04-3,50](#) [PVS02-5,00](#) [1-1986160-3](#) [H-10](#) [1546228-5](#) [ELFH09150](#) [ELFH16150](#) [ELFP03110](#) [ELFT06250](#) [ELFT07250](#) [ELVF09400](#) [ELVP03100](#) [ELXH03100](#) [ELXH071G0E](#) [ELXP041G0](#) [ELXT046G0](#) [1700101](#) [1700410](#) [1700425](#) [1703176](#) [1705229](#) [1710175](#) [1714537](#) [1717806](#) [1719600](#) [1729386](#) [1734692](#) [1734795](#)