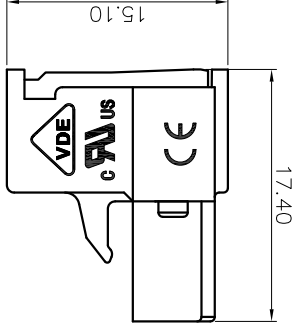
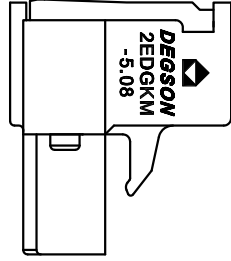
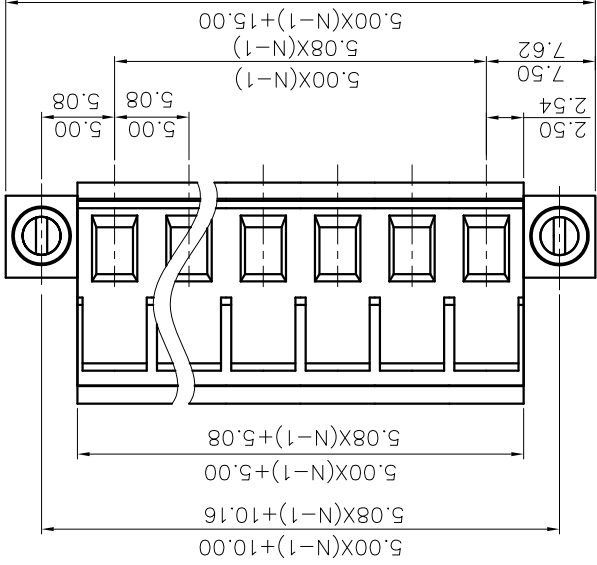
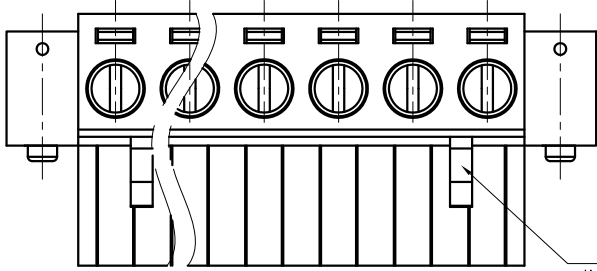


REVISION RECORD			
REV	ECN	DESCRIPTION	DRFT

02P: Clasp on the left from this view



2EDGKM - 5.0/5.08 - XXP - 1x - 00A (H)
 (Rohs)
 00A-(Standard)
 (Series No.) (Pitch) (Poles) (Single Pitch)

(Color): 1.(Grey) 2.(Blue) 3.(Black) 4.(Green) 5.(Orange) 6.(Red) 7.(Transparent) 8.(Yellow) 9.(White)

6.Rohs Compliance

mm		Nominal dimension range	
mm	Over	mm	Over
±0.15	±0.20	±0.30	±0.50
6	10	30	60
10	10	10	10
24	30	60	100
30	30	100	150
60	100	150	150
100	150	150	150
150	150	150	150
0.1/10	0.1/10	0.1/10	0.1/10

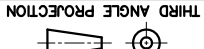
1.Dimension shall be interpreted per ASME Y14.5-2009
 2.Pitch : 5.0/5.08mm, Poles : N=02~22P
 3.Stripping length : 7~8mm
 4.Operating temperature: -40°C~+105°C
 5.Undimensioned tolerances:

NOTE2:
 1.Dimension shall be interpreted per ASME Y14.5-2009
 2.Pitch : 5.0/5.08mm, Poles : N=02~22P
 3.Stripping length : 7~8mm
 4.Operating temperature: -40°C~+105°C
 5.Undimensioned tolerances:

2	III	4.0KV	320V	20A
1	II	4.0KV	320V	20A

NOTE1:
 UL Standard
 1.Rated voltage/current : 300V / 15A
 2.Withstanding voltage : AC1600V/1min.
 3.Torque value : M2.5, 3.54lb.in
 4.Wire range : 28~12AWG
 IEC Standard
 1.Pollution Degree : 2
 2.Torque value : M2.5, 0.4N.m
 3.Wire range : 2.5mm²

PART NO.:	/	NAME:	NINGBO DEGSON ELECTRICAL CO., LTD		
			宁波高松电子有限公司		
APPD:	/	CHKD:	/	DRFT:	/
NAME:	2EDGKM-5.0/5.08-XXP-1Y-00A(H)				
TITLE:	CUSTOMER DRAWING				
REV	DO	SHEET	1/1		
SCALE	1:1				



THIRD ANGLE PROJECTION

DO NOT SCALE DRAWING

SCALE

1:1

X-ON Electronics

Largest Supplier of Electrical and Electronic Components

Click to view similar products for [Pluggable Terminal Blocks](#) category:

Click to view products by [Degson](#) manufacturer:

Other Similar products are found below :

[57.404.7553](#) [57.504.0053.7](#) [57.510.0053](#) [57.910.6153](#) [01.112.1453](#) [CTB932VE/6](#) [MC 1.5/ 6-ST-3.5 GY AU](#) [ET02015000J0G](#) [734-104](#) [734-302](#) [734-304](#) [8-141-P](#) [FKCT 2.5/ 3-ST KMGY](#) [860505](#) [860508](#) [860516](#) [860810](#) [861908](#) [GBPACX-12](#) [93.731.4953.0](#) [PV05-5,08-K](#) [PVP02-5,00](#) [PVP04-3,50](#) [PVS02-5,00](#) [1-1986160-3](#) [H-10](#) [1546228-5](#) [ELFH09150](#) [ELFH16150](#) [ELFP03110](#) [ELFT06250](#) [ELFT07250](#) [ELVF09400](#) [ELVP03100](#) [ELXH03100](#) [ELXH071G0E](#) [ELXP041G0](#) [ELXT046G0](#) [1700101](#) [1700410](#) [1700425](#) [1703176](#) [1705229](#) [1710175](#) [1714537](#) [1717806](#) [1719600](#) [1729386](#) [1734692](#) [1734795](#)