

REVISION RECORD			
REV	ECN	DESCRIPTION	DATE

NOTE1:
 UL Standard
 1. Rated voltage/current : 300V / 15A
 2. Withstanding voltage : AC1600V/1min.
 IEC Standard

1.	Pollution degree	2
	Overvoltage category	III
	Rate impulse voltage(kV)	4.0KV
	Rate voltage(V)	320V
	Rate current(A)	20A

NOTE2:

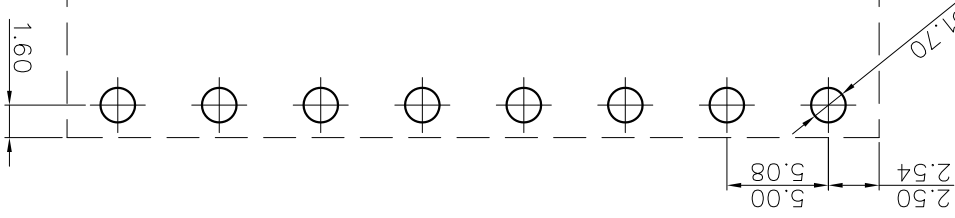
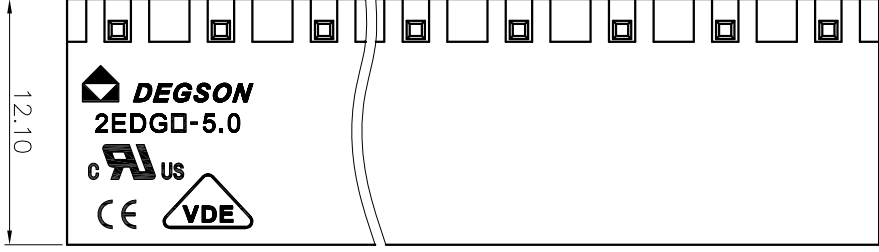
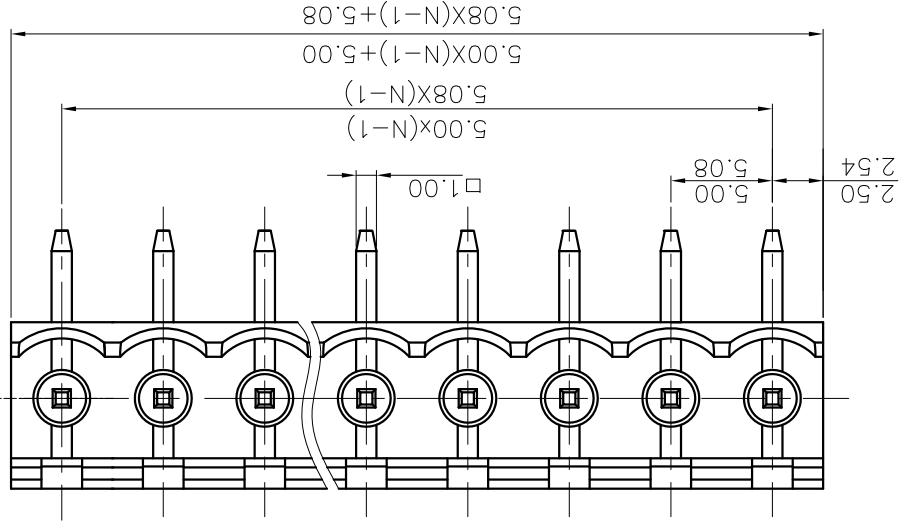
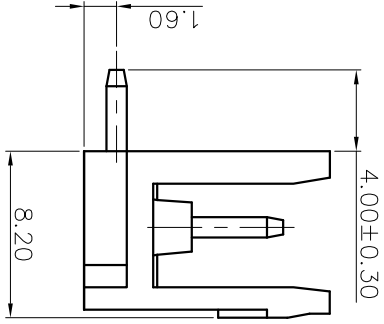
1. Dimension shall be interpreted per ASME Y14.5-2009

2. Pitch : 5.00/5.08mm, Poles : N=2~24P
 4. Operating temperature: -40°C~+105°C

5. Undimensioned tolerances:

Pitch range in mm	Nominal dimension range in mm	Over	Under
6 to 10	6 to 10	Over 100	Under 150
10 to 24	10 to 24	Over 30	Under 60
30 to 60	30 to 60	Over 10	Under 100
60 to 150	60 to 150	Over 0.30	Under 1.00
150 to 300	150 to 300	Over 0.50	Under 1.30
300 to 600	300 to 600	Over 0.70	Under 1.50
600 to 1200	600 to 1200	Over 1.00	Under 2.00

6. RoHS Compliance

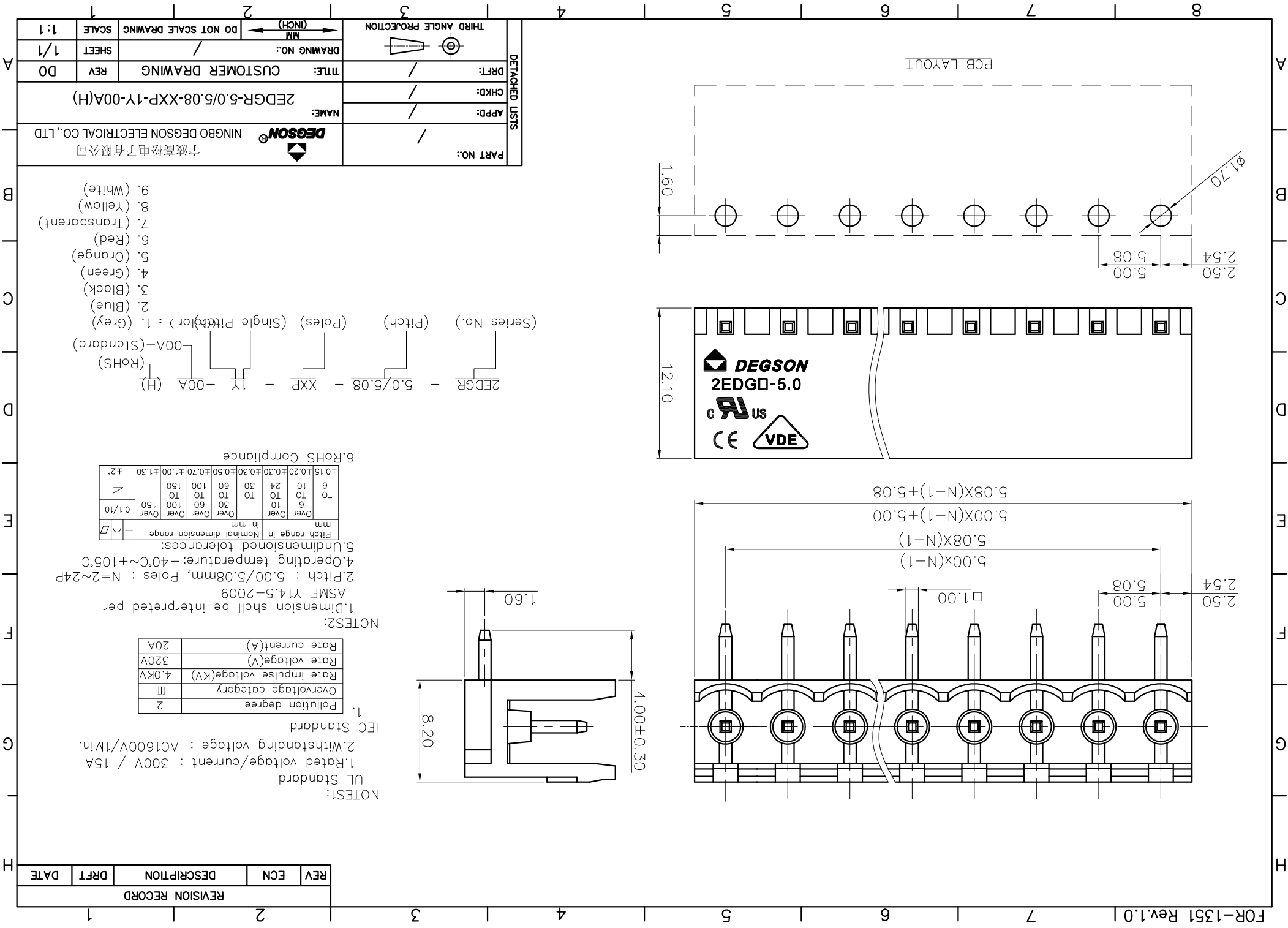
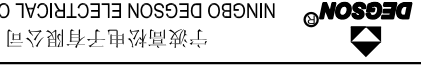


PART NO.:
 DRG: /
 CHKD: /
 APPD: /
 NAME: 2EDGR-5.0/5.08-XXP-1Y-00A(H)
 TITLE: CUSTOMER DRAWING
 DRAWING NO.: /
 THIRD ANGLE PROJECTION
 (INCH)
 DO NOT SCALE DRAWING
 SCALE 1:1

2EDGR - 5.0/5.08 - XXP - 1Y - 00A (H)
 (RoHS)
 00A-(Standard)
 1. (Grey)
 2. (Blue)
 3. (Black)
 4. (Green)
 5. (Orange)
 6. (Red)
 7. (Transparent)
 8. (Yellow)
 9. (White)

DETACHED LISTS	
PART NO.:	/
DRG:	/
CHKD:	/
APPD:	/
NAME:	2EDGR-5.0/5.08-XXP-1Y-00A(H)
TITLE:	CUSTOMER DRAWING
REV	DO
SHEET	1/1
SCALE	1:1

NINGBO DEGSON ELECTRICAL CO., LTD
 宁波高松电子有限公司



X-ON Electronics

Largest Supplier of Electrical and Electronic Components

Click to view similar products for [Pluggable Terminal Blocks](#) category:

Click to view products by [Degson](#) manufacturer:

Other Similar products are found below :

[57.404.7553](#) [57.504.0053.7](#) [57.510.0053](#) [57.910.6153](#) [01.112.1453](#) [CTB932VE/6](#) [MC 1.5/ 6-ST-3.5 GY AU](#) [ET02015000J0G](#) [734-104](#) [734-302](#) [734-304](#) [8-141-P](#) [FKCT 2.5/ 3-ST KMGY](#) [860505](#) [860508](#) [860516](#) [860810](#) [861908](#) [GBPACX-12](#) [93.731.4953.0](#) [PV05-5,08-K](#) [PVP02-5,00](#) [PVP04-3,50](#) [PVS02-5,00](#) [1-1986160-3](#) [H-10](#) [1546228-5](#) [ELFH09150](#) [ELFH16150](#) [ELFP03110](#) [ELFT06250](#) [ELFT07250](#) [ELVF09400](#) [ELVP03100](#) [ELXH03100](#) [ELXH071G0E](#) [ELXP041G0](#) [ELXT046G0](#) [1700101](#) [1700410](#) [1700425](#) [1703176](#) [1705229](#) [1710175](#) [1714537](#) [1717806](#) [1719600](#) [1729386](#) [1734692](#) [1734795](#)