

REVISION RECORD			
REV	ECN	DESCRIPTION	DATE

H

NOTE1:

1. Rated voltage/current : 300V / 15A
2. Withstanding voltage : AC1600V/1min.

UL Standard

1. Pollution degree

2	III	Overvoltage category
	4.0KV	Rate impulse voltage(KV)
	320V	Rate voltage(V)
	20A	Rate current(A)

NOTE2:

1. Dimension shall be interpreted per ASME Y14.5-2009

2. Pitch : 5.00/5.08mm, Poles : N=2~24P

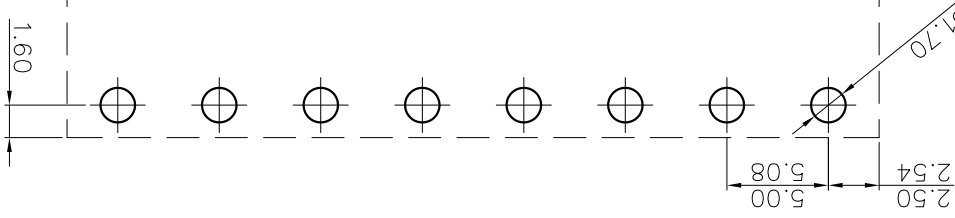
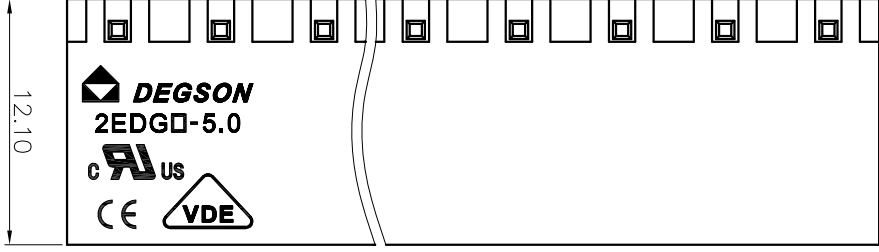
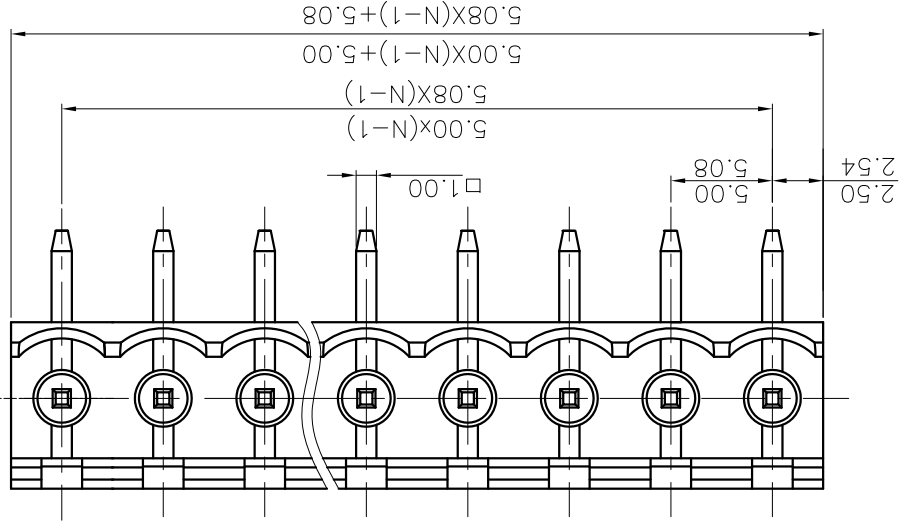
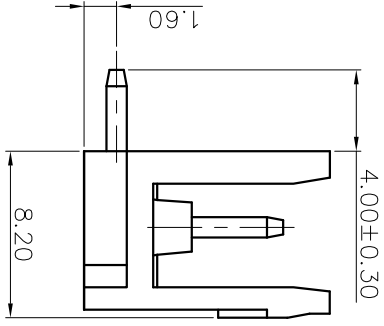
4. Operating temperature: -40°C~+105°C

5. Undimensioned tolerances:

Pitch range in mm	Nominal dimension range in mm	Over	Under
6 to 10	6 to 10	Over 10	Under 6
10 to 15	10 to 15	Over 15	Under 10
15 to 20	15 to 20	Over 20	Under 15
20 to 24	20 to 24	Over 24	Under 20
30 to 60	30 to 60	Over 60	Under 30
60 to 100	60 to 100	Over 100	Under 60
100 to 150	100 to 150	Over 150	Under 100
150 to 200	150 to 200	Over 200	Under 150
±2	±1.00	±1.30	±0.70
±0.15	±0.20	±0.30	±0.50

6. RoHS Compliance

ZEDGR - 5.0/5.08 - XXP - 1Y - 00A (H)
 (RoHS) (Standard) : 1. (Grey)
 2. (Blue)
 3. (Black)
 4. (Green)
 5. (Orange)
 6. (Red)
 7. (Transparent)
 8. (Yellow)
 9. (White)



PART NO.:		NAME:		TITLE:		DRAWING NO.:		THIRD ANGLE PROJECTION	
NINGBO DEGSON ELECTRICAL CO., LTD		NINGBO DEGSON ELECTRICAL CO., LTD		CUSTOMER DRAWING		/			
APPD: /		CHKD: /		DRFT: /		DO NOT SCALE DRAWING			
SCALE		SHEET		REV		1:1			

A

B

C

D

E

F

G

H

A

B

C

D

E

F

G

H

4

5

6

7

8

1

2

3

1

2

3

4

5

6

7

1.0

1

X-ON Electronics

Largest Supplier of Electrical and Electronic Components

Click to view similar products for [Fixed Terminal Blocks](#) category:

Click to view products by [Degson](#) manufacturer:

Other Similar products are found below :

[00175550202](#) [MBE-1512](#) [MBE-1520](#) [MBE-154](#) [MBE-156](#) [MBES-1510](#) [MBES-153](#) [MBES-156](#) [MH-2512](#) [MHE-132](#) [MHE-133](#) [MHE-163](#)
[MI-254 \(35\)](#) [MI-272](#) [8739](#) [880507](#) [880508](#) [MPT-275](#) [1546551-6](#) [ELM023100](#) [ELM10110G](#) [ELVD12100](#) [BA311TU](#) [BA411SU](#) [MV-152](#)
[MV-253/NCNOC](#) [MV-254-D](#) [MV-255](#) [MV-462](#) [MV-472](#) [MV-493](#) [MVE-252](#) [MVE-253](#) [MVE-258](#) [MVE-273](#) [MVEB-153](#) [1700096](#)
[1702246](#) [1705142](#) [1712417](#) [1713020](#) [1713088](#) [1776118-2](#) [1790852](#) [1-796689-8](#) [1-796692-6](#) [1800001](#) [1800114](#) [1823215](#) [1838462](#)