

REVISION RECORD			
REV	ECN	DESCRIPTION	DATE

H

NOTE1:

1. Rated voltage/current : 300V / 15A
2. Withstanding voltage : AC1600V/1min.

UL Standard

1. Pollution degree

2	III	Overvoltage category
	4.0KV	Rate impulse voltage(KV)
	320V	Rate voltage(V)
	20A	Rate current(A)

NOTE2:

1. Dimension shall be interpreted per ASME Y14.5-2009

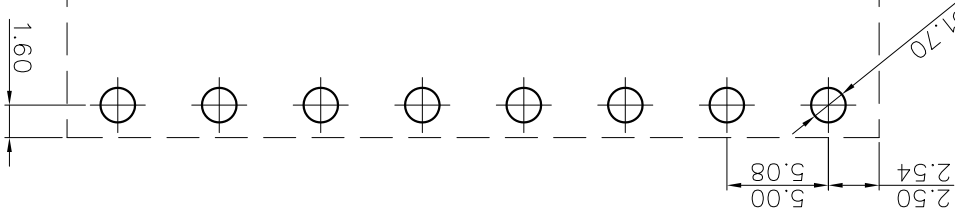
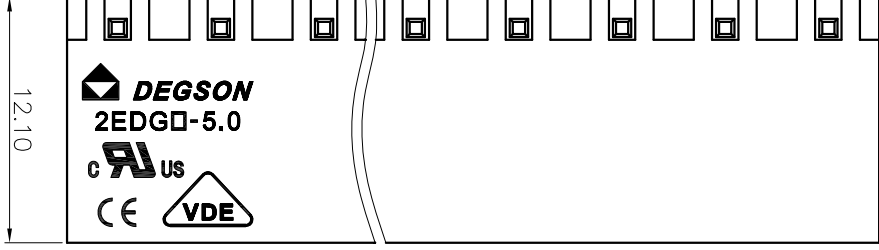
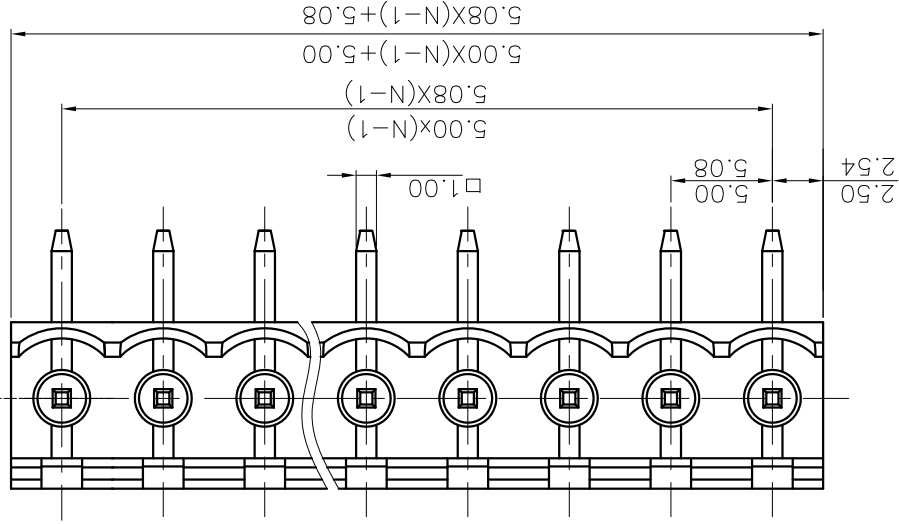
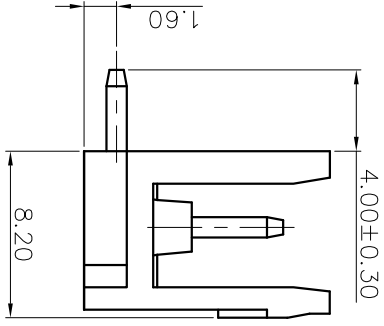
2. Pitch : 5.00/5.08mm, Poles : N=2~24P

4. Operating temperature: -40°C~+105°C

5. Undimensioned tolerances:

Pitch range in mm	Nominal dimension range in mm	Over	Under
6 to 10	Over 10	0.1/10	
10 to 24	Over 10	0.1/10	
30 to 60	Over 30	0.1/10	
60 to 100	Over 60	0.1/10	
100 to 150	Over 100	0.1/10	
150 to 300	Over 150	0.1/10	
300 to 600	Over 300	±2	
600 to 1000	Over 600	±2	
1000 to 1500	Over 1000	±2	
1500 to 3000	Over 1500	±2	

6. RoHS Compliance



H

F

E

C

B

A

H

F

E

C

B

A

DETACHED LISTS

PART NO.:	/
APPD.:	/
CHKD.:	/
DRFT.:	/
NAME:	2EDGR-5.0/5.08-XXP-1Y-00A(H)
TITLE:	CUSTOMER DRAWING
REV	DO
SHEET	1/1
SCALE	1:1

THIRD ANGLE PROJECTION



DO NOT SCALE DRAWING

MM

DRAWING NO.:

/

SCALE

1:1

1

2

3

4

5

6

7

8

9

10

11

12

13

14

15

16

17

18

19

20

21

22

23

24

25

26

27

28

29

30

31

32

33

34

35

36

37

38

39

40

41

42

43

44

45

46

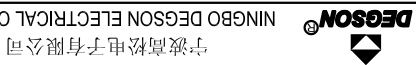
47

48

49

50

ZEDGR - 5.0/5.08 - XXP - 1Y - 00A (H)  
 (RoHS) (Standard) : 1. (Grey)  
 2. (Blue)  
 3. (Black)  
 4. (Green)  
 5. (Orange)  
 6. (Red)  
 7. (Transparent)  
 8. (Yellow)  
 9. (White)



NAME: 2EDGR-5.0/5.08-XXP-1Y-00A(H)  
 TITLE: CUSTOMER DRAWING  
 REV: DO  
 SHEET: 1/1  
 SCALE: 1:1

A

B

C

D

E

F

G

H

## **X-ON Electronics**

Largest Supplier of Electrical and Electronic Components

*Click to view similar products for [Fixed Terminal Blocks](#) category:*

*Click to view products by [Degson](#) manufacturer:*

Other Similar products are found below :

[00175550202](#) [MBE-1512](#) [MBE-1520](#) [MBE-154](#) [MBE-156](#) [MBES-1510](#) [MBES-153](#) [MBES-156](#) [MH-2512](#) [MHE-132](#) [MHE-133](#) [MHE-163](#)  
[MI-254 \(35\)](#) [MI-272](#) [8739](#) [880507](#) [880508](#) [MPT-275](#) [1546551-6](#) [ELM023100](#) [ELM10110G](#) [ELVD12100](#) [BA311TU](#) [BA411SU](#) [MV-152](#)  
[MV-253/NCNOC](#) [MV-254-D](#) [MV-255](#) [MV-462](#) [MV-472](#) [MV-493](#) [MVE-252](#) [MVE-253](#) [MVE-258](#) [MVE-273](#) [MVEB-153](#) [1700096](#)  
[1702246](#) [1705142](#) [1712417](#) [1713020](#) [1713088](#) [1776118-2](#) [1790852](#) [1-796689-8](#) [1-796692-6](#) [1800001](#) [1800114](#) [1823215](#) [1838462](#)