

REVISION RECORD			
REV	ECN	DESCRIPTION	DATE

H

NOTE1:

1. Rated voltage/current : 300V / 15A
2. Withstanding voltage : AC1600V/1min.

UL Standard

1. Pollution degree

2	III	Overvoltage category
	4.0KV	Rate impulse voltage(KV)
	320V	Rate voltage(V)
	20A	Rate current(A)

NOTE2:

1. Dimension shall be interpreted per ASME Y14.5-2009

2. Pitch : 5.00/5.08mm, Poles : N=2~24P

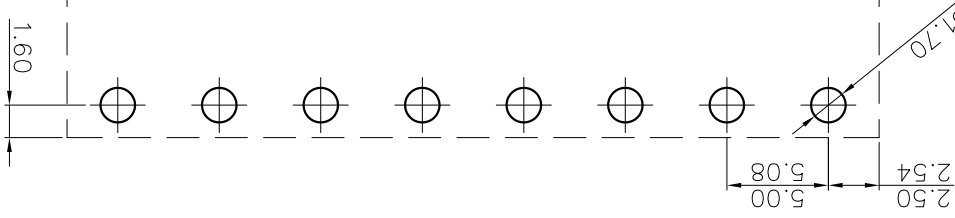
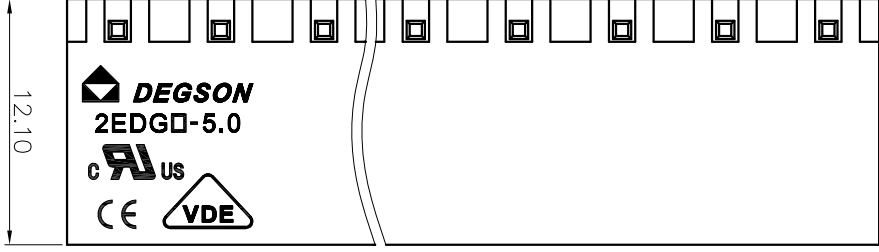
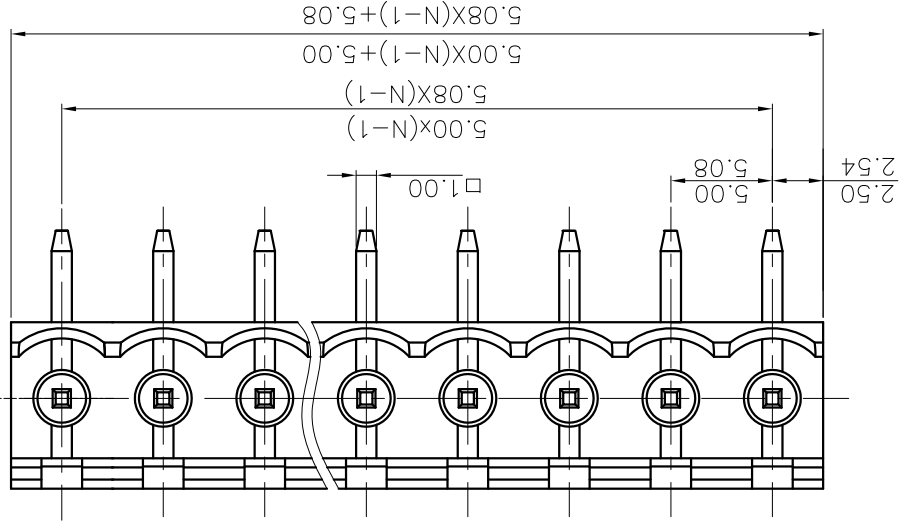
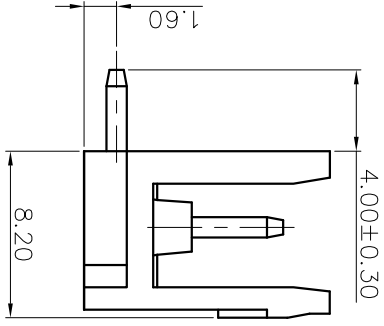
4. Operating temperature: -40°C~+105°C

5. Undimensioned tolerances:

Pitch range in mm	Nominal dimension range in mm	Over	Under
6 to 10	6 to 10	Over 10	Under 6
10 to 24	10 to 24	Over 10	Under 10
30 to 60	30 to 60	Over 30	Under 30
60 to 100	60 to 100	Over 60	Under 60
100 to 150	100 to 150	Over 100	Under 100
±2	±1.00 to ±1.30	±0.15 to ±0.20	±0.30 to ±0.50

6. RoHS Compliance

ZEDGR - 5.0/5.08 - XXP - 1Y - 00A (H)
 (RoHS) (Standard) 00A - (Grey) 1. (Pitch) (Poles) (Single Pitch) or : 1. (Grey) 2. (Blue) 3. (Black) 4. (Green) 5. (Orange) 6. (Red) 7. (Transparent) 8. (Yellow) 9. (White)



H

G

F

E

D

C

B

A

1

2

3

4

5

6

7

8

A

C

B

1

PART NO.:		NAME:		APPD.:		CHKD.:		DRFT.:		DETACHED LISTS	
NINGBO DEGSON ELECTRICAL CO., LTD		NINGBO DEGSON ELECTRICAL CO., LTD		/		/		/		THIRD ANGLE PROJECTION	
2EDGR-5.0/5.08-XXP-1Y-00A(H)		2EDGR-5.0/5.08-XXP-1Y-00A(H)		/		/		/		DO NOT SCALE DRAWING	
DRAWING NO.:		TITLE:		SCALE		SHEET		REV		1:1	
/		CUSTOMER DRAWING		/		/		/		1	

4

5

6

7

8

X-ON Electronics

Largest Supplier of Electrical and Electronic Components

Click to view similar products for [Pluggable Terminal Blocks](#) category:

Click to view products by [Degson](#) manufacturer:

Other Similar products are found below :

[57.404.7553](#) [57.504.0053.7](#) [57.510.0053](#) [57.910.6153](#) [01.112.1453](#) [CTB932VE/6](#) [MC 1.5/ 6-ST-3.5 GY AU](#) [ET02015000J0G](#) [734-104](#) [734-302](#) [734-304](#) [8-141-P](#) [FKCT 2.5/ 3-ST KMGY](#) [860505](#) [860508](#) [860516](#) [860810](#) [861908](#) [GBPACX-12](#) [93.731.4953.0](#) [PV05-5,08-K](#) [PVP02-5,00](#) [PVP04-3,50](#) [PVS02-5,00](#) [1-1986160-3](#) [H-10](#) [1546228-5](#) [ELFH09150](#) [ELFH16150](#) [ELFP03110](#) [ELFT06250](#) [ELFT07250](#) [ELVF09400](#) [ELVP03100](#) [ELXH03100](#) [ELXH071G0E](#) [ELXP041G0](#) [ELXT046G0](#) [1700101](#) [1700410](#) [1700425](#) [1703176](#) [1705229](#) [1710175](#) [1714537](#) [1717806](#) [1719600](#) [1729386](#) [1734692](#) [1734795](#)