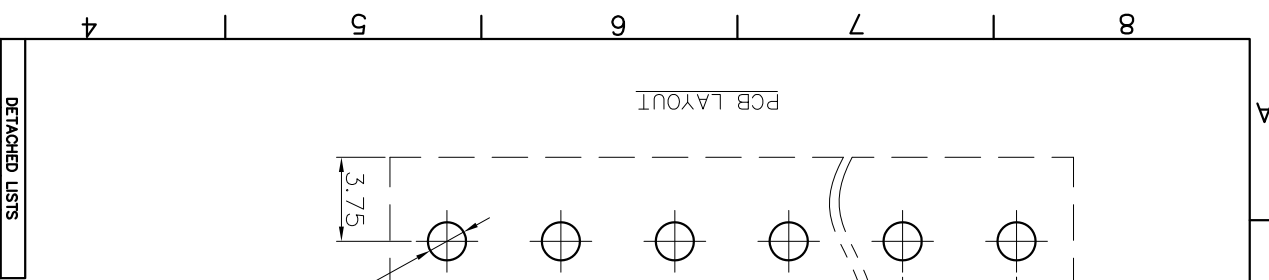


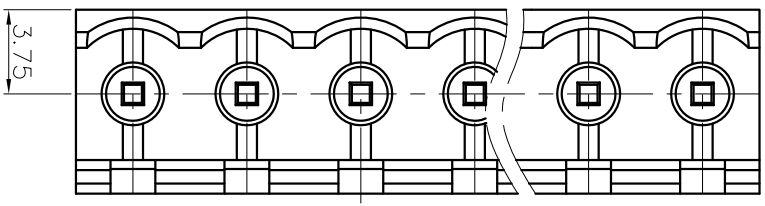
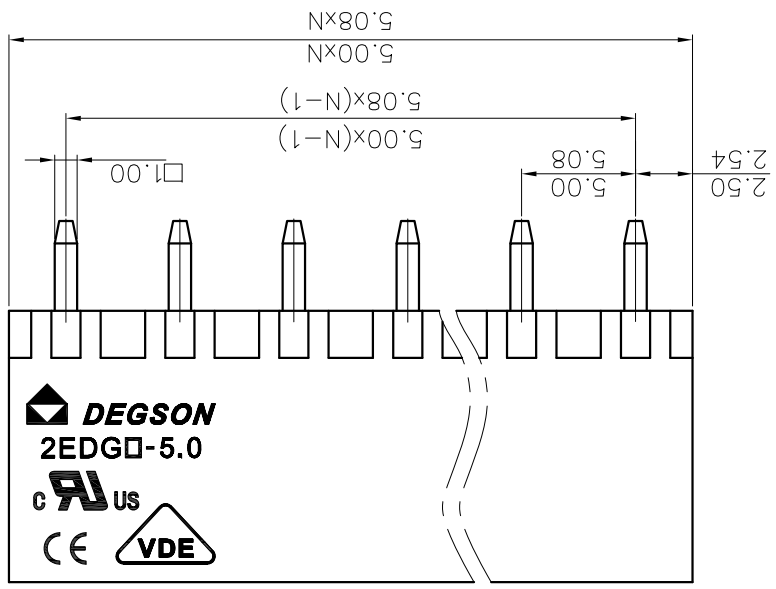
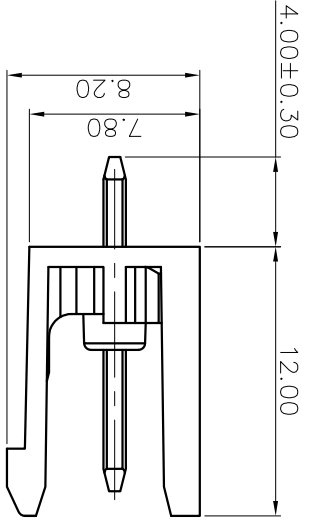
REVISION RECORD				
REV	ECN	DESCRIPTION	DRFT	DATE

PART NO.:	NINGBO DEGSON ELECTRICAL CO., LTD	
	宁波高松电子有限公司	
NAME:	2EDGV-5.0/5.08-XXP-1Y-00A(H)	
APPD:	/	
CHKD:	/	
DRFT:	/	
TITLE:	CUSTOMER DRAWING	REV
DRAWING NO.:	/	SHEET
DO NOT SCALE DRAWING		SCALE
(INCH)		1:1



1. (Grey)  
2. (Blue)  
3. (Black)  
4. (Green)  
5. (Orange)  
6. (Red)  
7. (Transparent)  
8. (Yellow)  
9. (White)

(Series No.)(Pitch)(Poles)(Single Pitch)(Color) : 1. (Grey)  
2EDGV - 5.0/5.08 - XXP - 1Y - 00A (H)  
00A-(Standard)  
(RoHS)



5. RoHS Compliance

mm	mm	mm	mm	mm	mm	mm	mm	mm	mm
±2.0	±1.50	±1.00	±0.70	±0.50	±0.30	±0.20	±0.15	±0.10	±0.05
Over	Over	Over	Over	Over	Over	Over	Over	Over	Over
6	10	60	100	30	60	10	6	10	6
TO	TO	TO	TO	TO	TO	TO	TO	TO	TO

1. Dimension shall be interpreted per ASME Y14.5-2009  
2. Pitch : 5.0/5.08mm, Poles : N=02~24P  
3. Operating temperature: -40°C~+105°C  
4. Undimensioned tolerances:  
Pitch range in Normal dimension range

1. Pollution degree 2  
Overvoltage category III  
Rate impulse voltage(KV) 4.0KV  
Rate voltage(V) 320V  
Rate current(A) 20A

UL Standard  
1. Rated voltage/current : 300V / 15A  
2. Withstanding voltage : AC1600V/1min.  
IEC Standard

H

F

D

C

B

A

H

F

D

C

B

A

## X-ON Electronics

Largest Supplier of Electrical and Electronic Components

*Click to view similar products for [Pluggable Terminal Blocks](#) category:*

*Click to view products by [Degson](#) manufacturer:*

Other Similar products are found below :

[57.404.7553](#) [57.504.0053.7](#) [57.510.0053](#) [57.910.6153](#) [01.112.1453](#) [CTB932VE/6](#) [MC 1.5/ 6-ST-3.5 GY AU](#) [ET02015000J0G](#) [734-104](#) [734-302](#) [734-304](#) [8-141-P](#) [FKCT 2.5/ 3-ST KMGY](#) [860505](#) [860508](#) [860516](#) [860810](#) [861908](#) [GBPACX-12](#) [93.731.4953.0](#) [PV05-5,08-K](#) [PVP02-5,00](#) [PVP04-3,50](#) [PVS02-5,00](#) [1-1986160-3](#) [H-10](#) [1546228-5](#) [ELFH09150](#) [ELFH16150](#) [ELFP03110](#) [ELFT06250](#) [ELFT07250](#) [ELVF09400](#) [ELVP03100](#) [ELXH03100](#) [ELXH071G0E](#) [ELXP041G0](#) [ELXT046G0](#) [1700101](#) [1700410](#) [1700425](#) [1703176](#) [1705229](#) [1710175](#) [1714537](#) [1717806](#) [1719600](#) [1729386](#) [1734692](#) [1734795](#)