

REVISION RECORD				
REV	ECN	DESCRIPTION	DRFT	DATE

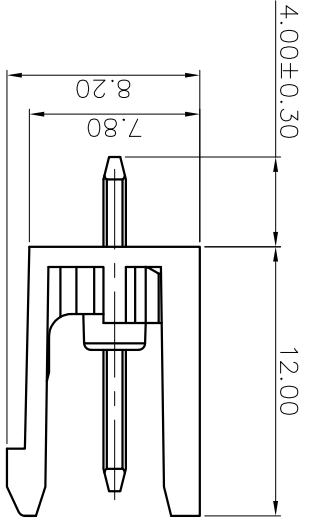
PART NO.:	NINGBO DEGSON ELECTRICAL CO., LTD	
	宁波高松电子有限公司	
NAME:	2EDGV-5.0/5.08-XXP-1Y-00A(H)	
APPD:	/	
CHKD:	/	
DRFT:	/	
TITLE:	CUSTOMER DRAWING	SCALE
DRAWING NO.:	/	1:1
SHEET:	/	1/1
DO NOT SCALE DRAWING	THIRD ANGLE PROJECTION	
DO NOT SCALE DRAWING	(INCH)	

1. (Grey) 1. (Grey) 2. (Blue) 3. (Black) 4. (Green) 5. (Orange) 6. (Red) 7. (Transparent) 8. (Yellow) 9. (White)

(Series No.) (Pitch) (Poles)(Single Pitch)(Color) : 1. (Grey) 2. (Blue) 3. (Black) 4. (Green) 5. (Orange) 6. (Red) 7. (Transparent) 8. (Yellow) 9. (White)

2EDGV - 5.0/5.08 - XXP - 1Y - 00A (H)

00A-(Standard) (RoHS)



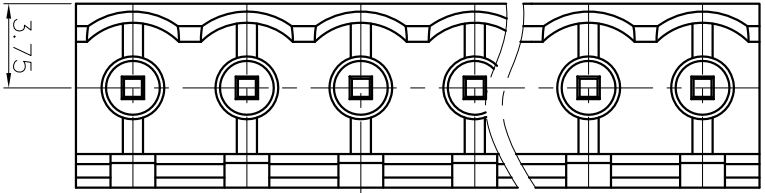
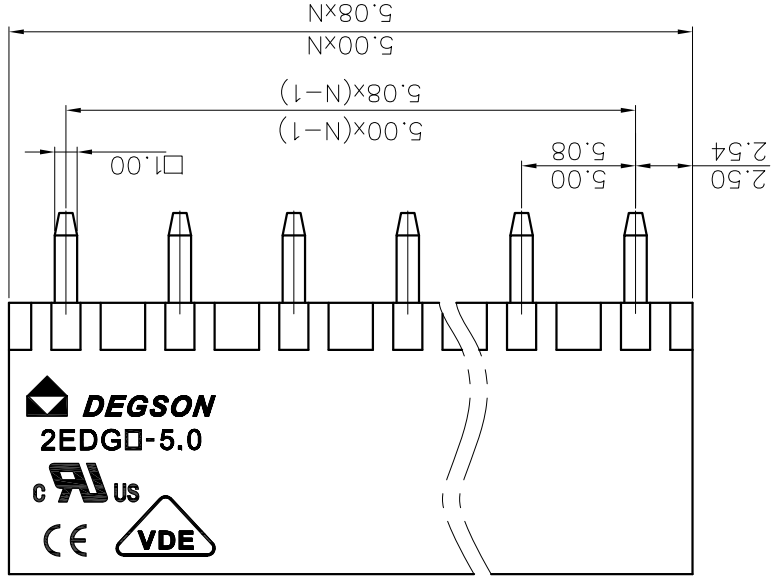
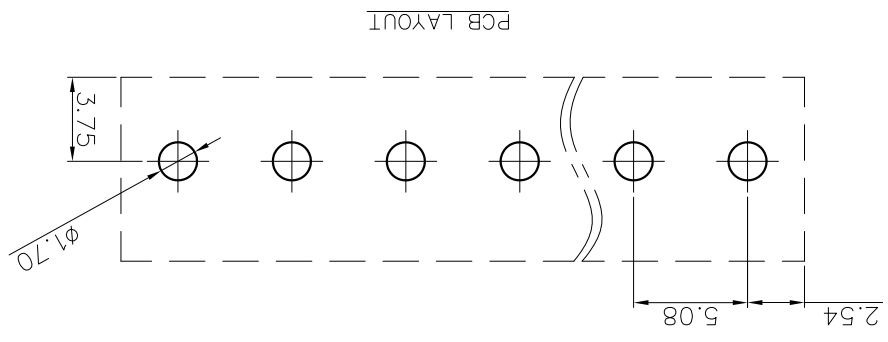
5. RoHS Compliance

Element	Over	mm	Normal dimension range
6	TO	6	±0.15
10	TO	10	±0.20
24	TO	24	±0.30
30	TO	30	±0.50
60	TO	60	±0.70
100	TO	100	±1.00
150	TO	150	±1.50
6	Over	6	±2
10	Over	10	±2
24	Over	24	±2
30	Over	30	±2
60	Over	60	±2
100	Over	100	±2
150	Over	150	±2

NOTE1: UL Standard
 1. Rated voltage/current : 300V / 15A
 2. Withstanding voltage : AC1600V/1min.
 IEC Standard

NOTE2: ASME Y14.5-2009
 1. Dimension shall be interpreted per
 2. Pitch : 5.0/5.08mm, Poles : N=02~24P
 3. Operating temperature: -40°C~+105°C
 4. Undimensioned tolerances:
 Pitch range in mm

Pollution degree	2
Overvoltage category	III
Rate impulse voltage(kV)	4.0kV
Rate voltage(V)	320V
Rate current(A)	20A



A B C D E F G H

X-ON Electronics

Largest Supplier of Electrical and Electronic Components

Click to view similar products for [Pluggable Terminal Blocks](#) category:

Click to view products by [Degson](#) manufacturer:

Other Similar products are found below :

[57.404.7553](#) [57.504.0053.7](#) [57.510.0053](#) [57.910.6153](#) [01.112.1453](#) [CTB932VE/6](#) [MC 1.5/ 6-ST-3.5 GY AU](#) [ET02015000J0G](#) [734-104](#) [734-302](#) [734-304](#) [8-141-P](#) [FKCT 2.5/ 3-ST KMGY](#) [860505](#) [860508](#) [860516](#) [860810](#) [861908](#) [GBPACX-12](#) [93.731.4953.0](#) [PV05-5,08-K](#) [PVP02-5,00](#) [PVP04-3,50](#) [PVS02-5,00](#) [1-1986160-3](#) [H-10](#) [1546228-5](#) [ELFH09150](#) [ELFH16150](#) [ELFP03110](#) [ELFT06250](#) [ELFT07250](#) [ELVF09400](#) [ELVP03100](#) [ELXH03100](#) [ELXH071G0E](#) [ELXP041G0](#) [ELXT046G0](#) [1700101](#) [1700410](#) [1700425](#) [1703176](#) [1705229](#) [1710175](#) [1714537](#) [1717806](#) [1719600](#) [1729386](#) [1734692](#) [1734795](#)