

REV	ECD	DESCRIPTION	DRFT	DATE

REVISION RECORD

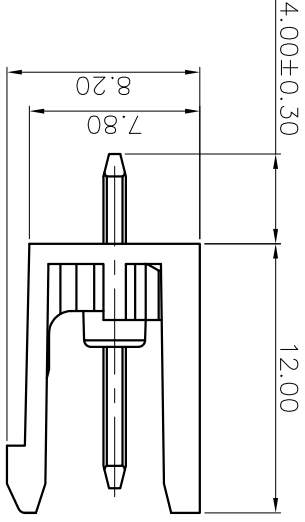
NOTE1: UL Standard  
 1. Rated voltage/current : 300V / 15A  
 2. Withstanding voltage : AC1600V/1min.  
 IEC Standard

Pollution degree	2
Overvoltage category	III
Rate impulse voltage(KV)	4.0KV
Rate voltage(V)	320V
Rate current(A)	20A

NOTE2: 1. Dimension shall be interpreted per ASME Y14.5-2009  
 2. Pitch : 5.0/5.08mm, Poles : N=02~24P  
 3. Operating temperature: -40°C~+105°C  
 4. Undimensioned tolerances:  
 5. RoHS Compliance

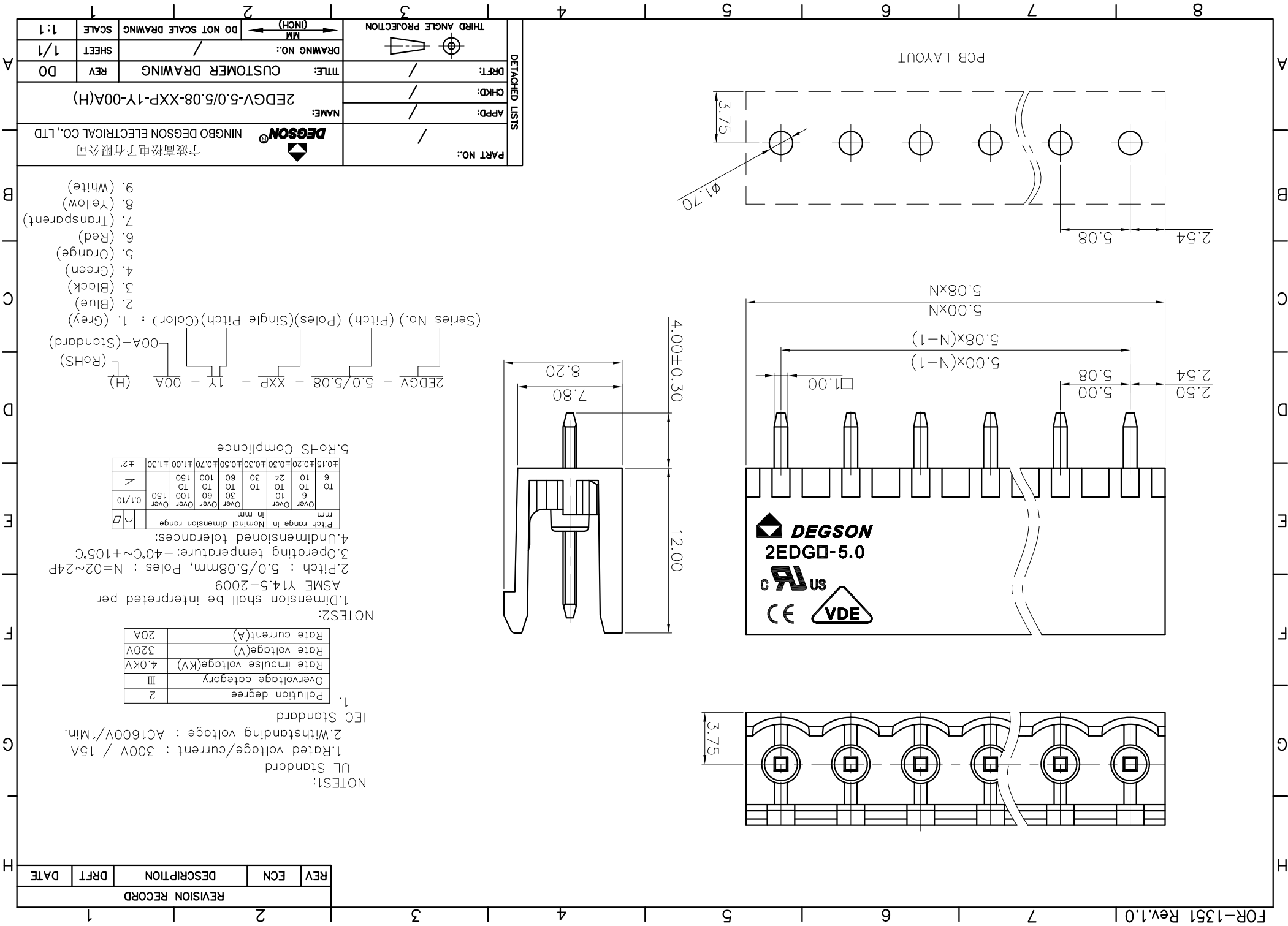
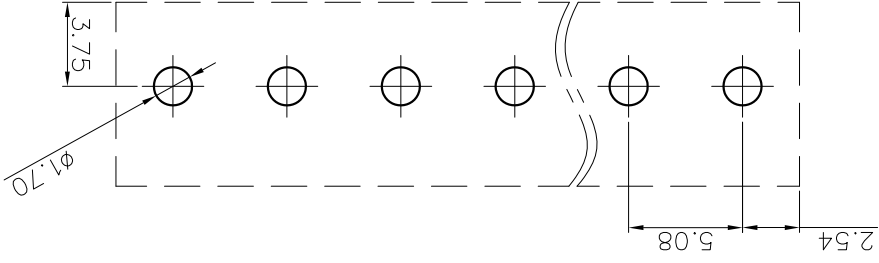
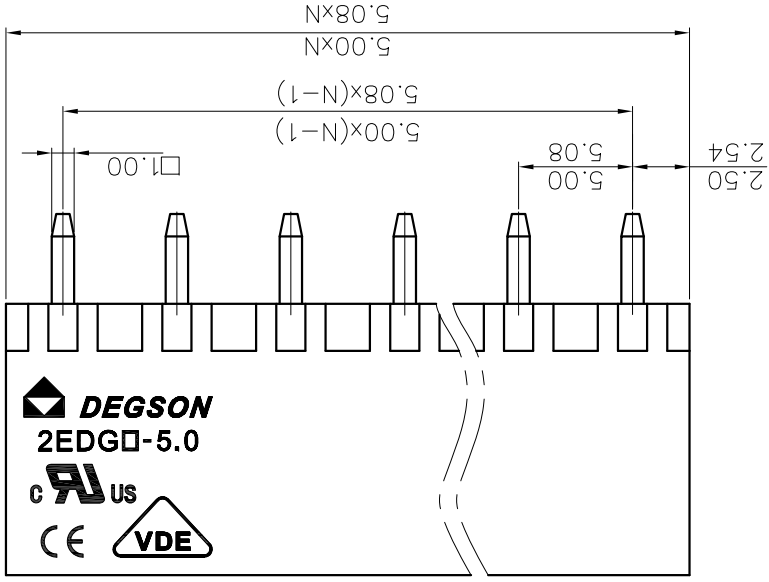
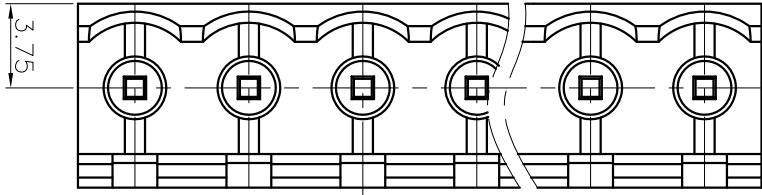
Fitch range in mm	Over	TO
±0.15	Over	6
±0.20	TO	10
±0.30	Over	24
±0.50	TO	30
±0.70	Over	60
±1.00	TO	100
±1.50	Over	150
±2.0	TO	150

2EDGV - 5.0/5.08 - XXP - 1Y - 00A (H)  
 (Series No.) (Pitch) (Poles)(Single Pitch)(Color) : 1. (Grey)  
 2. (Blue)  
 3. (Black)  
 4. (Green)  
 5. (Orange)  
 6. (Red)  
 7. (Transparent)  
 8. (Yellow)  
 9. (White)



PART NO.:		/	
NAME:		2EDGV-5.0/5.08-XXP-1Y-00A(H)	
DRFT:	/	TITLE:	CUSTOMER DRAWING
CHKD:	/	DRAWING NO.:	/
APPD:		/	
DETACHED LISTS		THIRD ANGLE PROJECTION	
		(INCH)	
		DO NOT SCALE DRAWING	
		SCALE	
		1:1	

NINGBO DEGSON ELECTRICAL CO., LTD  
 宁波高松电子有限公司



## X-ON Electronics

Largest Supplier of Electrical and Electronic Components

*Click to view similar products for [Pluggable Terminal Blocks](#) category:*

*Click to view products by [Degson](#) manufacturer:*

Other Similar products are found below :

[57.404.7553](#) [57.504.0053.7](#) [57.510.0053](#) [57.910.6153](#) [01.112.1453](#) [CTB932VE/6](#) [MC 1.5/ 6-ST-3.5 GY AU](#) [ET02015000J0G](#) [734-104](#) [734-302](#) [734-304](#) [8-141-P](#) [FKCT 2.5/ 3-ST KMGY](#) [860505](#) [860508](#) [860516](#) [860810](#) [861908](#) [GBPACX-12](#) [93.731.4953.0](#) [PV05-5,08-K](#) [PVP02-5,00](#) [PVP04-3,50](#) [PVS02-5,00](#) [1-1986160-3](#) [H-10](#) [1546228-5](#) [ELFH09150](#) [ELFH16150](#) [ELFP03110](#) [ELFT06250](#) [ELFT07250](#) [ELVF09400](#) [ELVP03100](#) [ELXH03100](#) [ELXH071G0E](#) [ELXP041G0](#) [ELXT046G0](#) [1700101](#) [1700410](#) [1700425](#) [1703176](#) [1705229](#) [1710175](#) [1714537](#) [1717806](#) [1719600](#) [1729386](#) [1734692](#) [1734795](#)